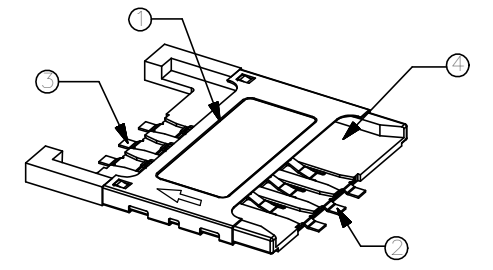
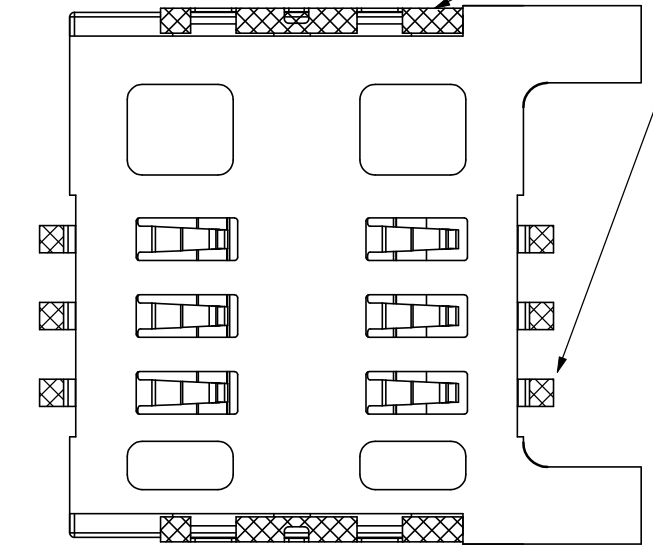
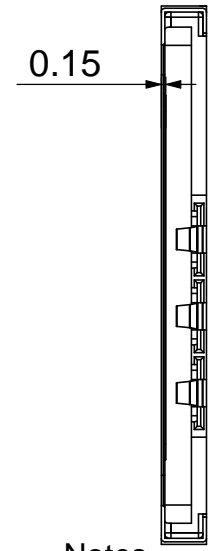


Item	Description	Material	Finish	Q'ty	Note
4	Housing	LCP		1	
3	Contact 2	Copper alloy	Au over Ni	3	
2	Contact 1	Copper alloy	Au over Ni	3	
1	Shell	SUS 304-1/2H, 0.12t	Au over Ni	1	

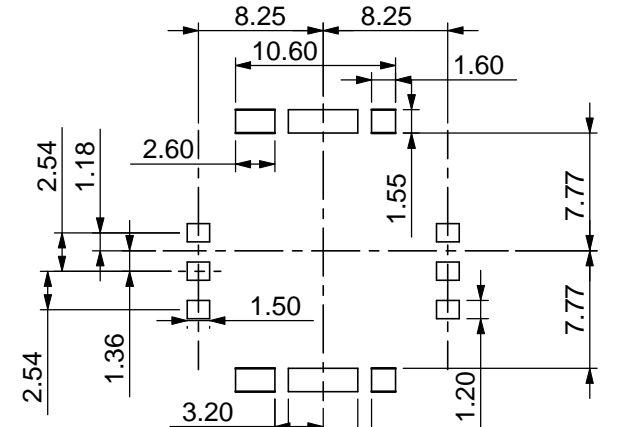
REV.	REVISION DESCRIPTION	APP.	DRW.	DATE	CHANGE No.
△ x 4	Material detail	KA	BM	'08/9/3	-----
△ x 2	Plating spec change	KA	BM	'08/9/30	-----
△ x 2	Adding arrow	KA	RY	'08/10/17	-----
△ x 4	Plating Spec. change	KA	RY	'08/11/13	-----
△ x 1	Add plating information.	KA	RY	'08/12/23	-----



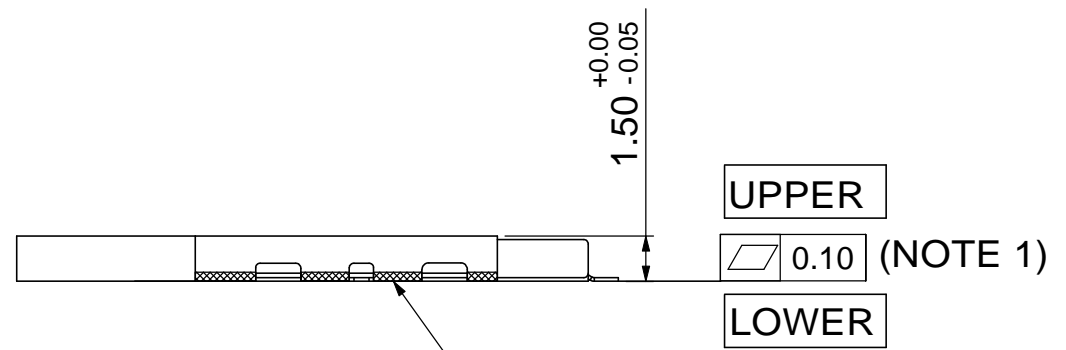
Hatched areas show solder plating regions

Notes

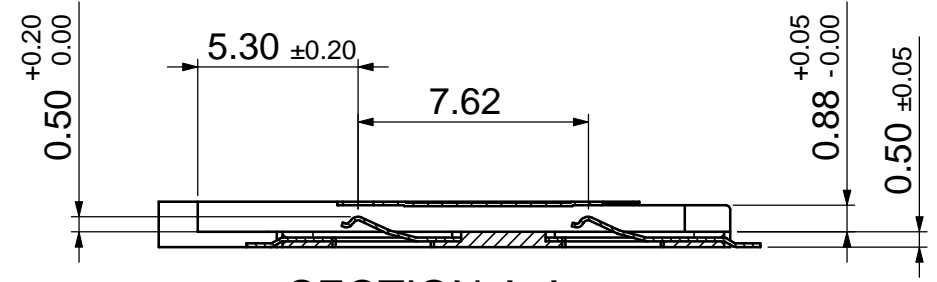
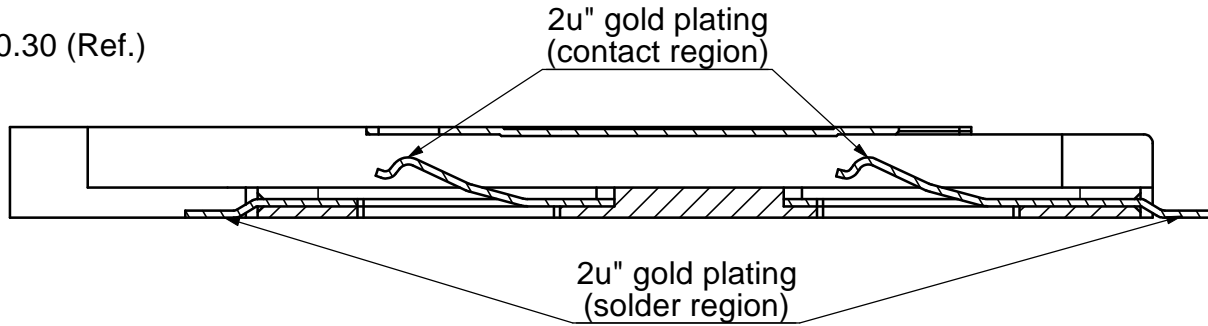
- Coplanarity of signal solder tail  
Upper direction : 0  
Lower direction : 0.10mm
- Reaction force : 50g~90g (stroke: 0.4mm)
- Specification
  - Current rating : 1A max.
  - Voltage rating : 250V AC/DC
  - Operating temperature : -55°C TO +105°C.
- Plating detail  
Contacts: 30u"-100u" nickel underplating all over  
 2u" min. gold plating on contact region  
 2u" min. gold plating on solder region  
Shell: 2u" min. gold plating on solder region  
 1u"-30u" nickel underplating all over



RECOMMENDED PAD LAYOUT (SCALE: 2:1)  
<TOP VIEW>  
TOLERANCE FOR PCB LAYOUT IS ± 0.05



Hatched areas show sidewall Au plating regions height=0.30 (Ref.)



SECTION A-A

CARD INSERT DIRECTION

Tolerances:

X.X	±0.3
X.XX	±0.2
X.°	± 5°
X.X°	± 3°

SCALE	4:1	APP.	APP.	CHK.	DRW.	DSGN.
DIMENTION	mm		08/02/27	08/02/27	08/02/27	08/02/27
ANGLE PROJ	3rd		K. Abe	K. Abe	Bob Moon	Bob Moon

YAMAICHI ELECTRONICS USA INC.

CLASS Low Profile SIM Connector with Stop

Part # FMS006U-3100-0

DRW No. YEU-A0926

Sheet No. / REV. F

## X-ON Electronics

Largest Supplier of Electrical and Electronic Components

*Click to view similar products for [Memory Card Connectors](#) category:*

*Click to view products by [Yamaichi](#) manufacturer:*

Other Similar products are found below :

[M21-033321-005](#) [6407-249V-25273P](#) [6407-249V-25343P](#) [6426-201-21343](#) [69.920.0553.0](#) [FCN-568P068-G/07-4V](#) [809180410000000](#)  
[HMCAP001](#) [252-0144-000](#) [2041353-2](#) [33CFAE-DN](#) [502431-1011](#) [617230001](#) [NX1-32T-KT3K\(05\)](#) [95622-003LF](#) [N7E50-U516RB-50-](#)  
[SIN0005](#) [95079-00CALF](#) [84648-056HLF](#) [33DVIR-29S12R](#) [125A-78C00](#) [MI20A-50PD-SF-EJL\(71\)](#) [KP10S-SF-PEJ\(812\)](#) [504536-0691](#)  
[504580-0691](#) [CCM03-3109 B LFT](#) [MI21-50PD-SF\(91\)](#) [2309923-1](#) [61126-050CAHLF](#) [IC1GA-68PD-1.27DS-EJ\(72\)](#) [GTFP08432B1HR](#)  
[G85DT17001P1EU](#) [G85B21611142HHR](#) [GSD090144HR](#) [G85D1140022P1HR](#) [GMCB05801124EU](#) [G85C11101152HHR](#)  
[G85B231021B1HR](#) [G85D1160022HHR](#) [123A-21M00](#) [123A-30B00](#) [123A-30A00](#) [123A-21A00](#) [123A-21B00](#) [123A-21E00](#) [123A-30E00](#)  
[123A-30M00](#) [123A-40A00](#) [123A-40E00](#) [123A-40M00](#) [123A-58B01](#)