

REVISION DESCRIPTION	APP.	REV.	DATE	CHANGE NO.
Δ X				
Δ X				
Δ X				

TECHNICAL CHARACTERISTICS

1. General Characteristics

- Dimension: 13.28L x 13.70W x 2.60H mm
- Weight: Approx. 0.38 g
- Contact principle: Friction technology
- Operating position: Shaft up / Down / Horizontal
- Mounting System: SMT Type (without post)
- Durability: 5,000 cycles min.

2. Mechanical Characteristics

- Insulation material: Thermoplastic, UL 94V-0
- RoHS Directive 2002/95/EC Compliant

3. Electrical Characteristics

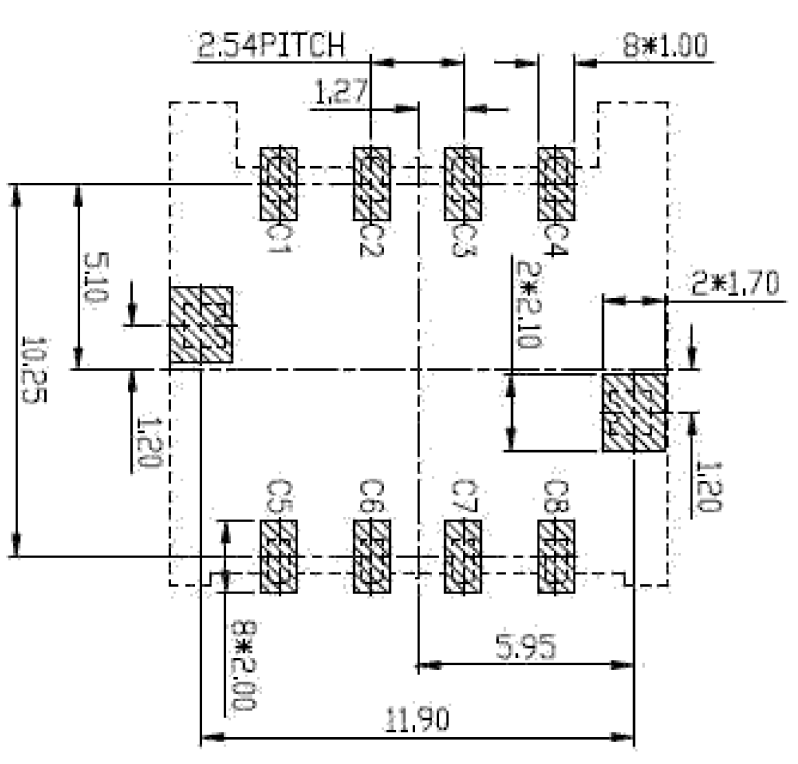
- Number of contacts: 8 pins
- Contact resistance: 50 mΩ typical, 100 mΩ max.
- Insulation resistance: >1000 MΩ / 500 VDC

4. Solderability

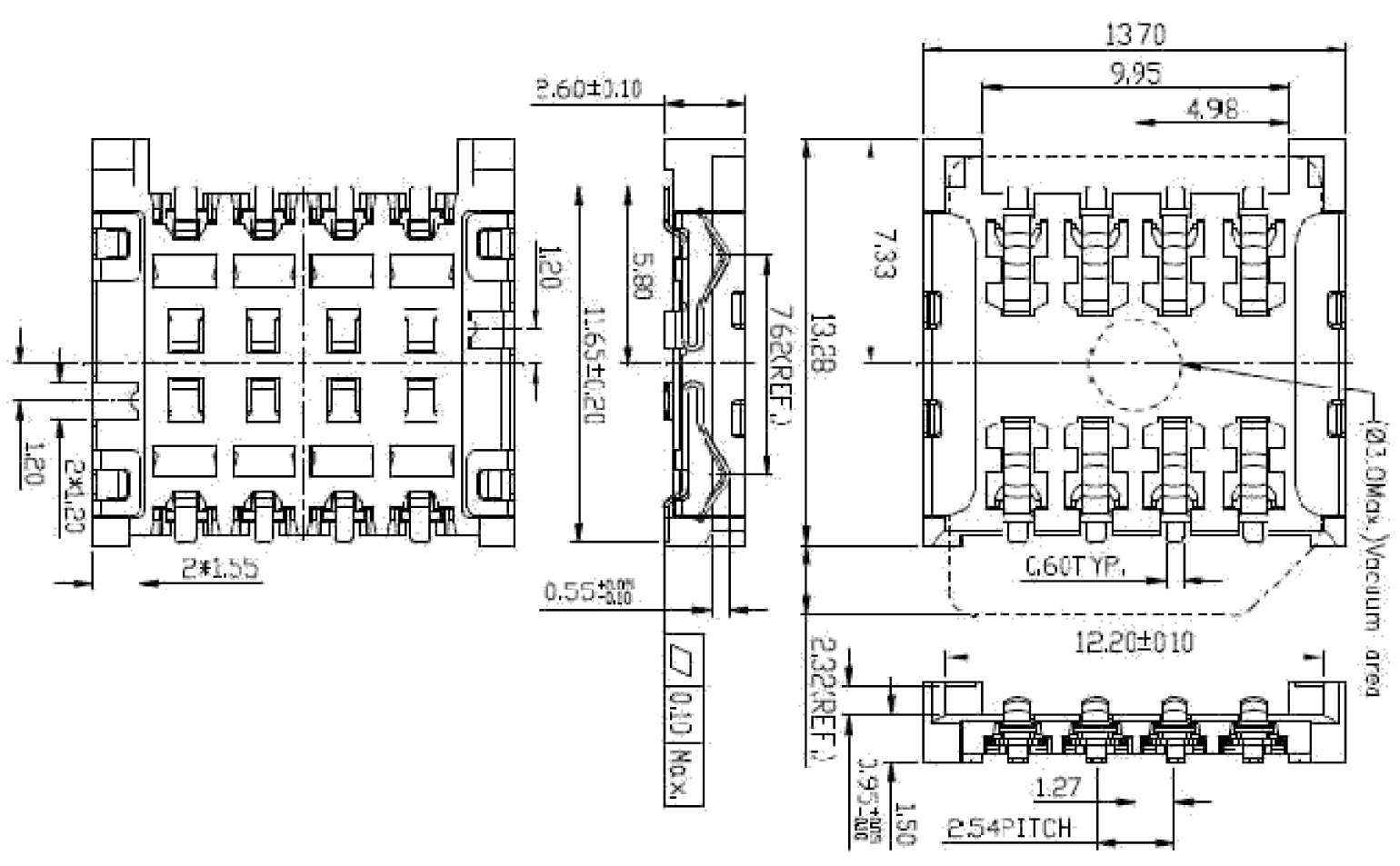
- Wave: Not applicable
- IR reflow: 260°C, 10 sec. Max.
- Manual soldering: 360°C, 3 sec. Max.

5. Environmental Characteristics

- Operating temperature: -40°C ~ +85°C
- Operating humidity: 10% ~ 95% RH
- Storage temperature: -40°C ~ +85°C
- Storage humidity: 10% ~ 95% RH



Unit: mm; Tolerances: ±0.05 mm
Reference dimension for PCB layout



Unit: mm; Tolerances: ±0.15 mm
Mechanical outline dimension

SCALE		APP.		CHK.		DRW.		DSGN.		Part #	
MM		11/01/31		K.		R.		R.		FUS008U-5000-0	
ANGLE PROU		Abe		Abe		Yang		Yang		DRW No. YEJ-A1562	
3rd										Sheet No. / REV. A	
CLASS Micro SIM Card Connector 8 Pin											

X-ON Electronics

Largest Supplier of Electrical and Electronic Components

Click to view similar products for [Memory Card Connectors](#) category:

Click to view products by [Yamaichi](#) manufacturer:

Other Similar products are found below :

[M21-033321-005](#) [6407-249V-25273P](#) [6407-249V-25343P](#) [6426-201-21343](#) [69.920.0553.0](#) [FCN-568P068-G/07-4V](#) [809180410000000](#)
[HMCAP001](#) [252-0144-000](#) [2041353-2](#) [33CFAE-DN](#) [502431-1011](#) [NX1-32T-KT3K\(05\)](#) [95622-003LF](#) [N7E50-U516RB-50-SIN0005](#) [95079-00CALF](#) [33DVIR-29S12R](#) [125A-78C00](#) [MI20A-50PD-SF-EJL\(71\)](#) [KP10S-SF-PEJ\(812\)](#) [504536-0691](#) [504580-0691](#) [CCM03-3109 B LFT](#)
[MI21-50PD-SF\(91\)](#) [2309923-1](#) [61126-050CAHLF](#) [IC1GA-68PD-1.27DS-EJ\(72\)](#) [GTFP08432B1HR](#) [G85DT17001P1EU](#)
[G85B21611142HHR](#) [GSD090144HR](#) [G85D1140022P1HR](#) [GMCB05801124EU](#) [G85C11101152HHR](#) [G85B231021B1HR](#)
[G85D1160022HHR](#) [112K-TAA0-RA1](#) [115S-ACA2](#) [115S-ACA3](#) [115S-BS00](#) [115S-BT00](#) [115V-AD00](#) [503960-0695](#) [101B-TAA0-R](#) [101D-TAAA-R01](#) [101D-TAAB-R01](#) [104D-TCA0-R06](#) [104B-TAA0-R](#) [112C-TBAR-R02](#) [114B-40B00-R02](#)