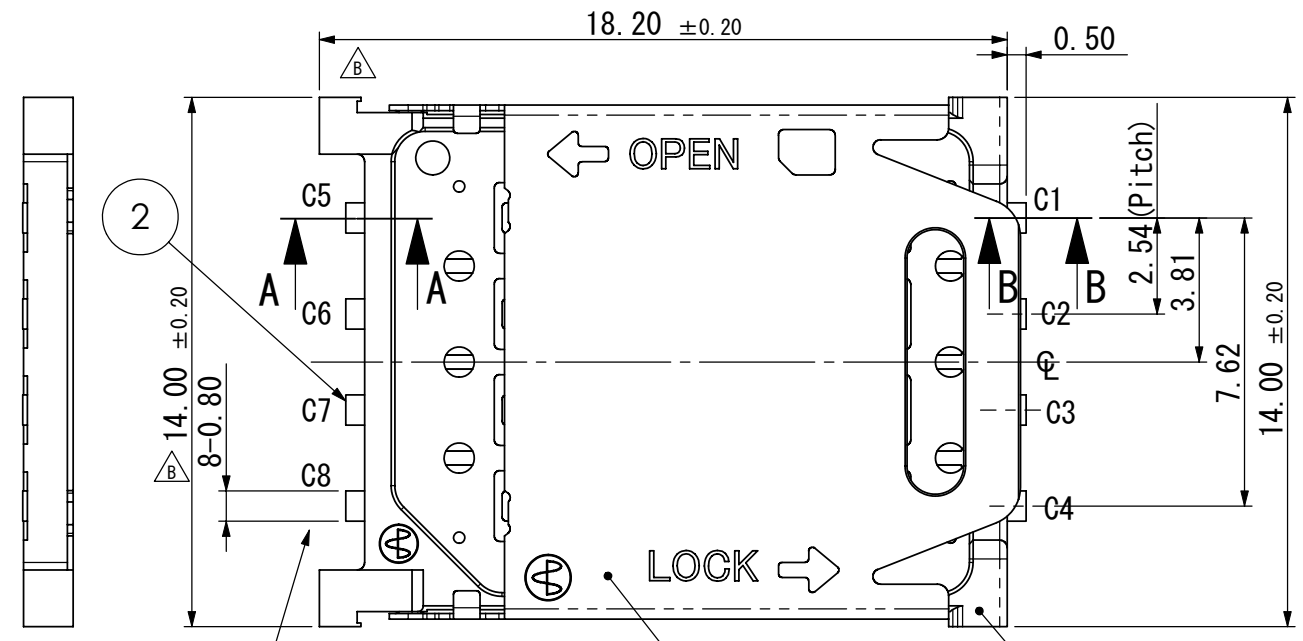
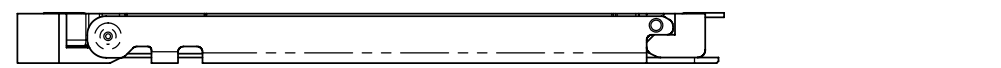
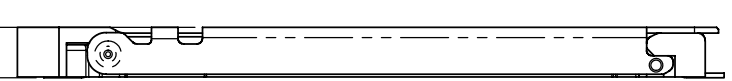
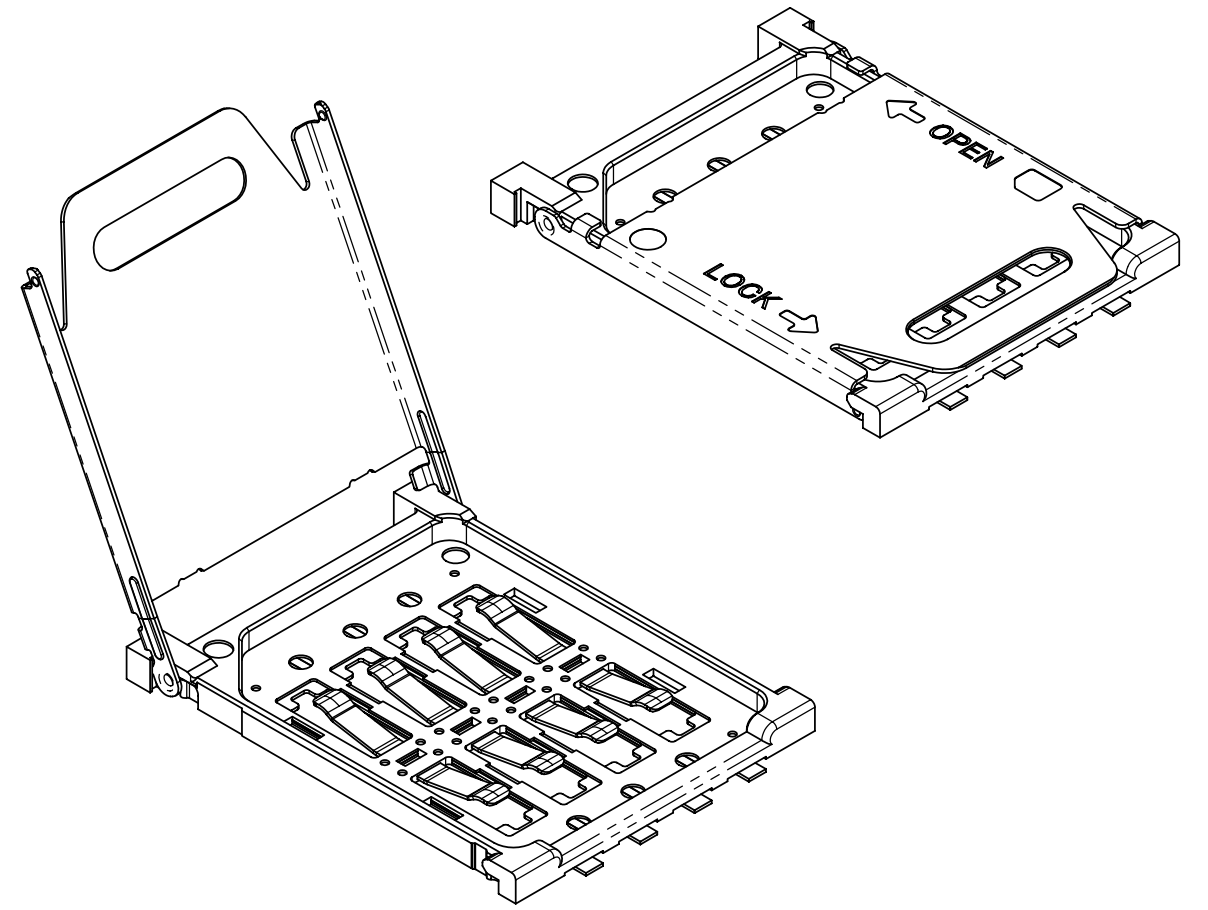


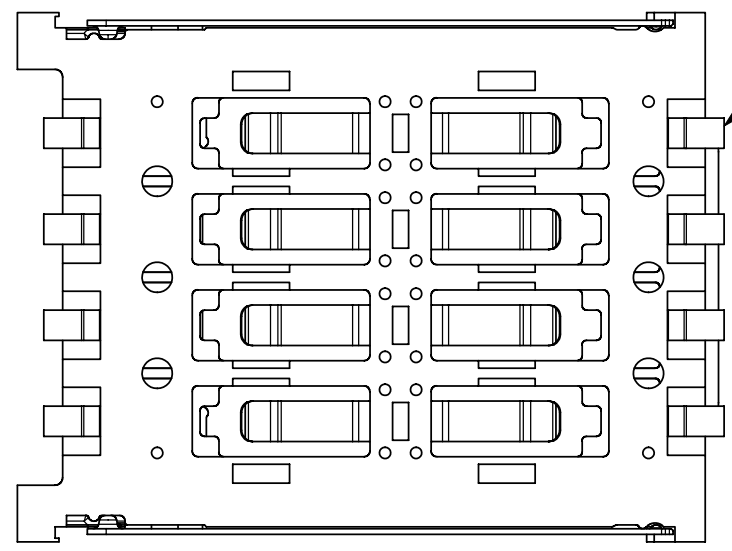
REV.	REVISION DESCRIPTION	APP.	DRW.	DATE	CHANGE No.
△ X 2	design change	K. Abe	O. Shimizu	05/15/11	—
△ X 3	design change	K. Abe	O. Shimizu	07/12/11	YEU-DC0001
△ X					



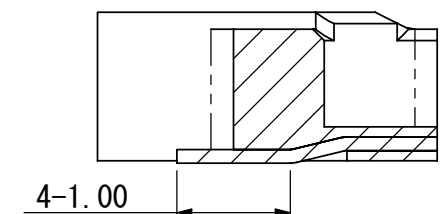
micro SIM Card PAD No.



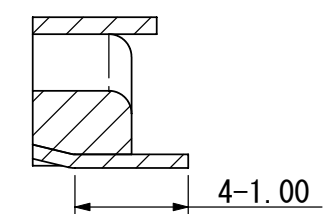
1.45 max.
The dimension from bottom of the contact terminals to top surface of metal shell cover.



Contact terminals (8 places)



SECTION A-A (S=15/1)



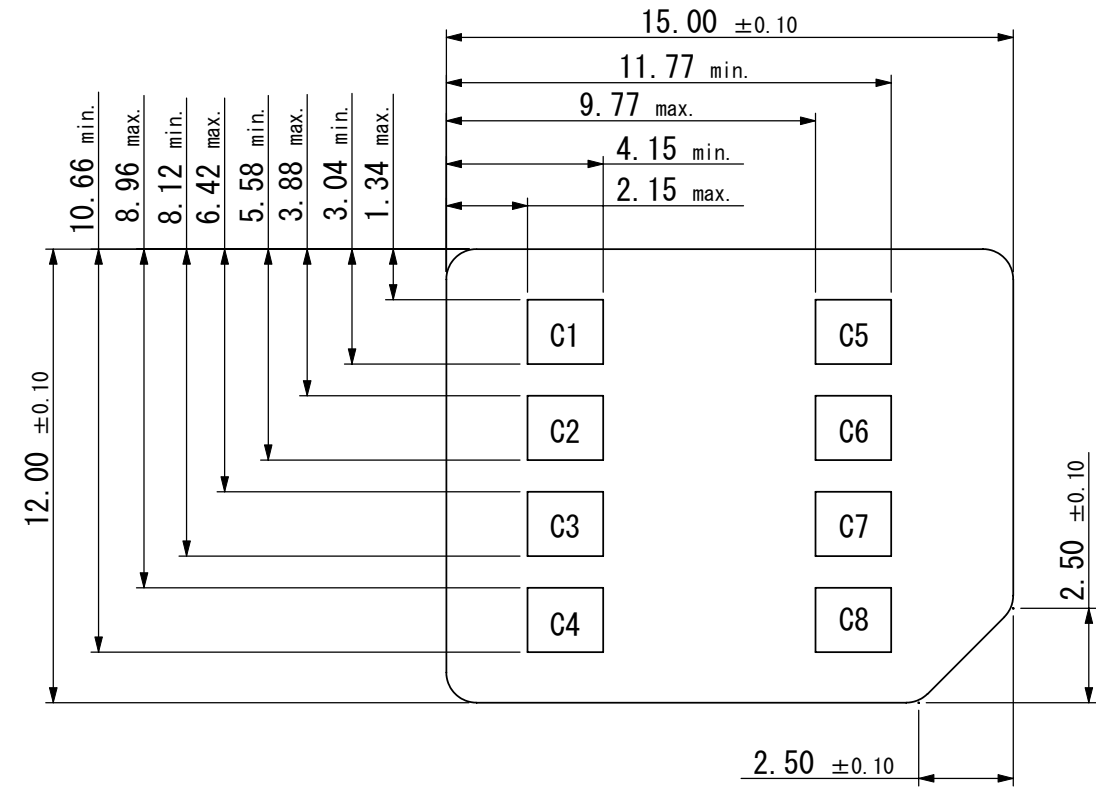
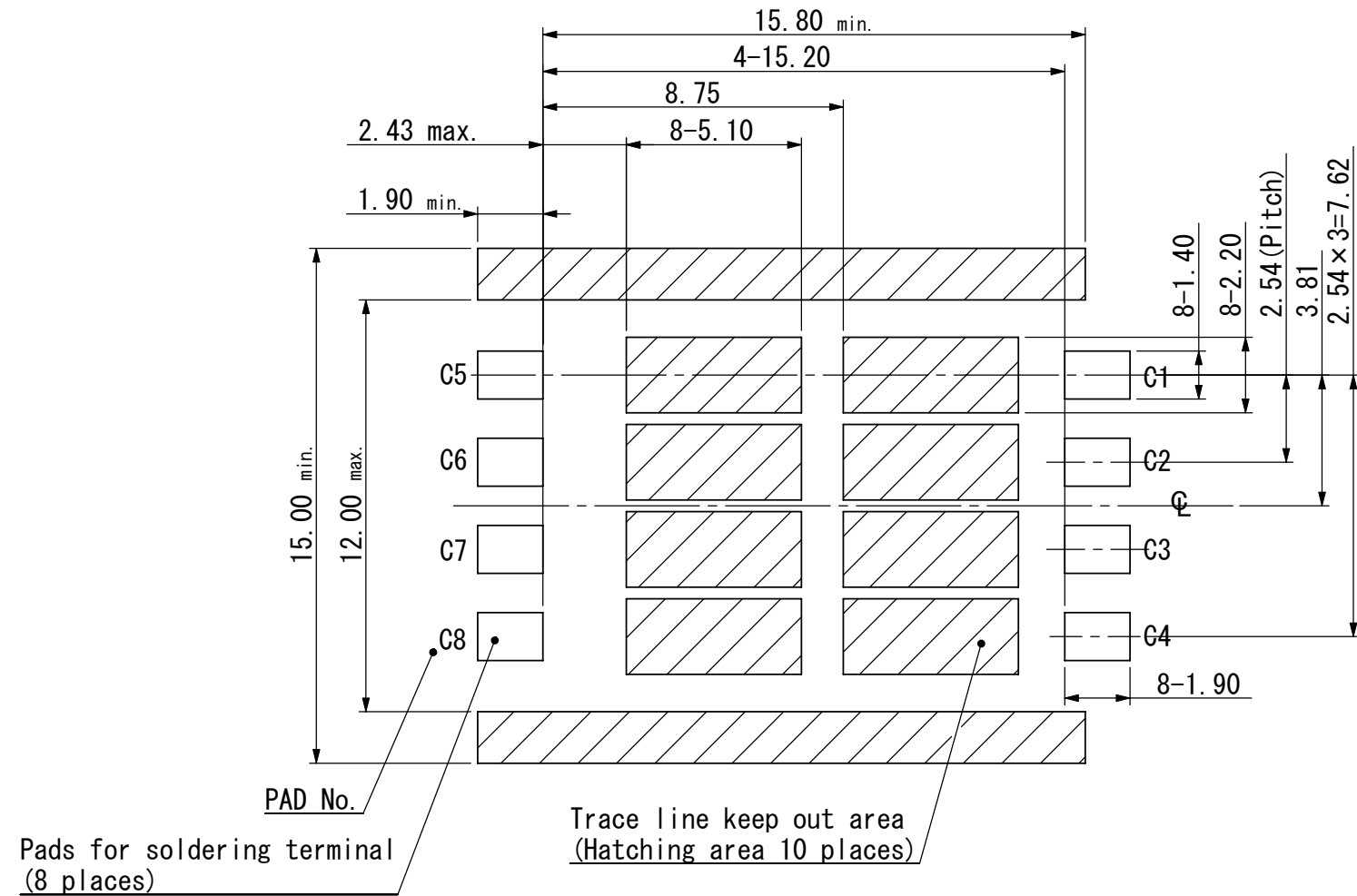
SECTION B-B (S=15/1)

ITEM	DESCRIPTION	QNT.	MATERIAL	NOTE
3	Metal Shell Cover	1	SUS	-
2	Contact Pin	8	PB	Ni-Au
1	Insert Molding	1	LCP	Black

Tolerance ±0.30 Unless otherwise specified. ()Reference value												
SCALE	5/1	APP.	APP.	CHK.	DRW.	DSGN.	TITLE					
DIMENTION	mm		04/26/11	04/26/11	04/26/11	04/26/11	FUS008U-9000-0					
ANGLE PROJ	3rd		K. Abe	K. Abe	O. Shimizu	O. Shimizu	DRW No.	YEU-A1590	Sheet No.	1/2	REV.	C

Recommended PCB Layout (Connector Mounting Side)

Tolerances ± 0.05 unless otherwise specified



Applicable Card Size

Note

1. ϕ indicates the centerline of the connector with 14.00mm.
2. Coplanarity for contact terminals shall be 0.10mm maximum.
3. Pin Assignment

1	VCC(Supply voltage)
2	RST(Reset singnail)
3	CLT(Glock signal)
4	Reserved
5	GND(Ground)
6	VPP(Programining voltage)
7	I/O(Data input/output)
8	Reserved

Tolerance ± 0.30 Unless otherwise specified. ()Reference value						YAMAICHI ELECTRONICS USA INC.	
CLASS						TITLE	
SCALE	5/1	APP.	APP.	CHK.	DRW.	DSGN.	FUS008U-9000-0
DIMENTION	mm	04/26/11	04/26/11	04/26/11	04/26/11	04/26/11	DRW No.
ANGLE PROJ	3rd	K. Abe	K. Abe	O. Shimizu	O. Shimizu		Sheet No.
						YEU-A1590	
						REV. C	

X-ON Electronics

Largest Supplier of Electrical and Electronic Components

Click to view similar products for [Memory Card Connectors](#) category:

Click to view products by [Yamaichi](#) manufacturer:

Other Similar products are found below :

[M21-033321-005](#) [6407-249V-25273P](#) [6407-249V-25343P](#) [6426-201-21343](#) [69.920.0553.0](#) [FCN-568P068-G/07-4V](#) [809180410000000](#)
[HMCAP001](#) [252-0144-000](#) [2041353-2](#) [33CFAE-DN](#) [502431-1011](#) [617230001](#) [NX1-32T-KT3K\(05\)](#) [95622-003LF](#) [N7E50-U516RB-50-](#)
[SIN0005](#) [95079-00CALF](#) [33DVIR-29S12R](#) [125A-78C00](#) [MI20A-50PD-SF-EJL\(71\)](#) [KP10S-SF-PEJ\(812\)](#) [504536-0691](#) [504580-0691](#)
[CCM03-3109 B LFT](#) [MI21-50PD-SF\(91\)](#) [2309923-1](#) [61126-050CAHLF](#) [IC1GA-68PD-1.27DS-EJ\(72\)](#) [GTFP08432B1HR](#)
[G85DT17001P1EU](#) [G85B21611142HHR](#) [GSD090144HR](#) [G85D1140022P1HR](#) [GMCB05801124EU](#) [G85C11101152HHR](#)
[G85B231021B1HR](#) [G85D1160022HHR](#) [123A-21M00](#) [123A-30B00](#) [123A-30A00](#) [123A-21A00](#) [123A-21B00](#) [123A-21E00](#) [123A-30E00](#)
[123A-30M00](#) [123A-40A00](#) [123A-40E00](#) [123A-40M00](#) [123A-58B01](#) [123A-85BA0](#)