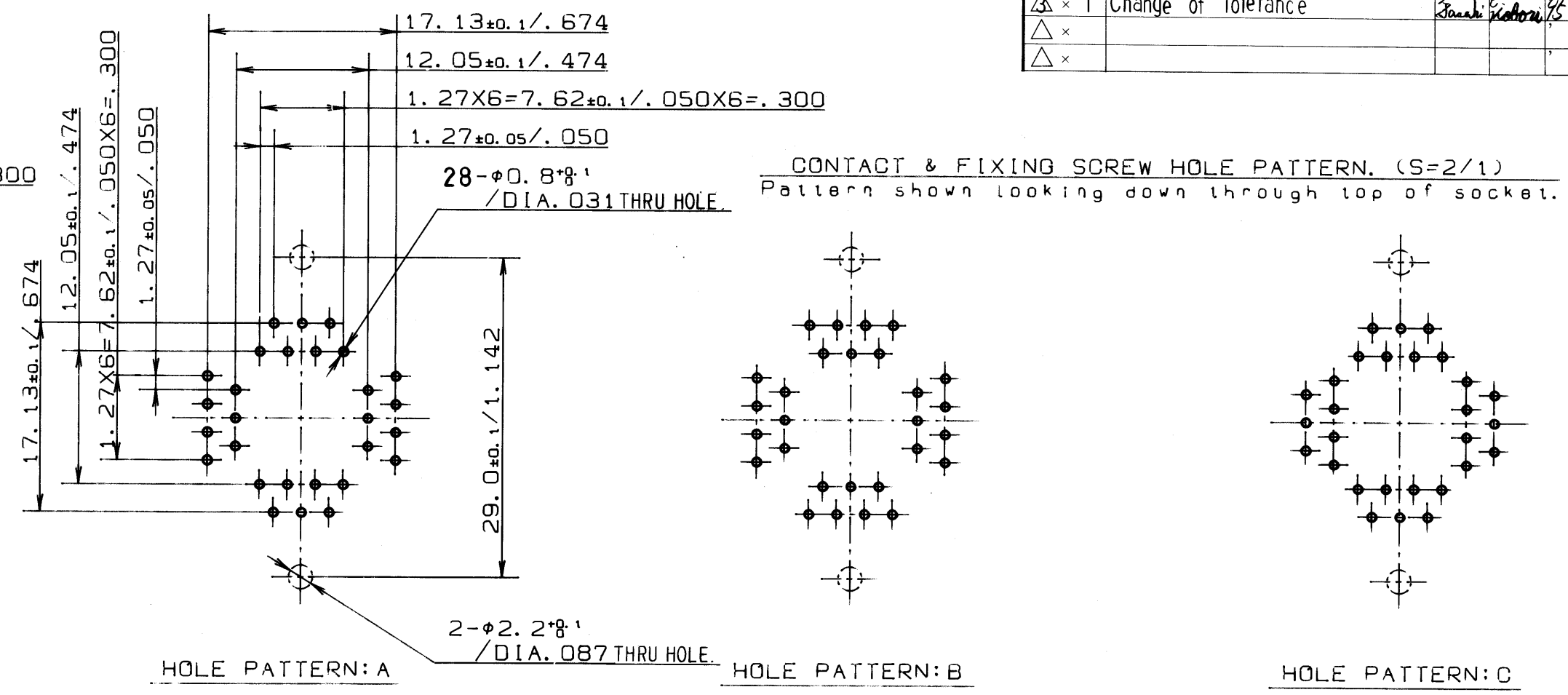
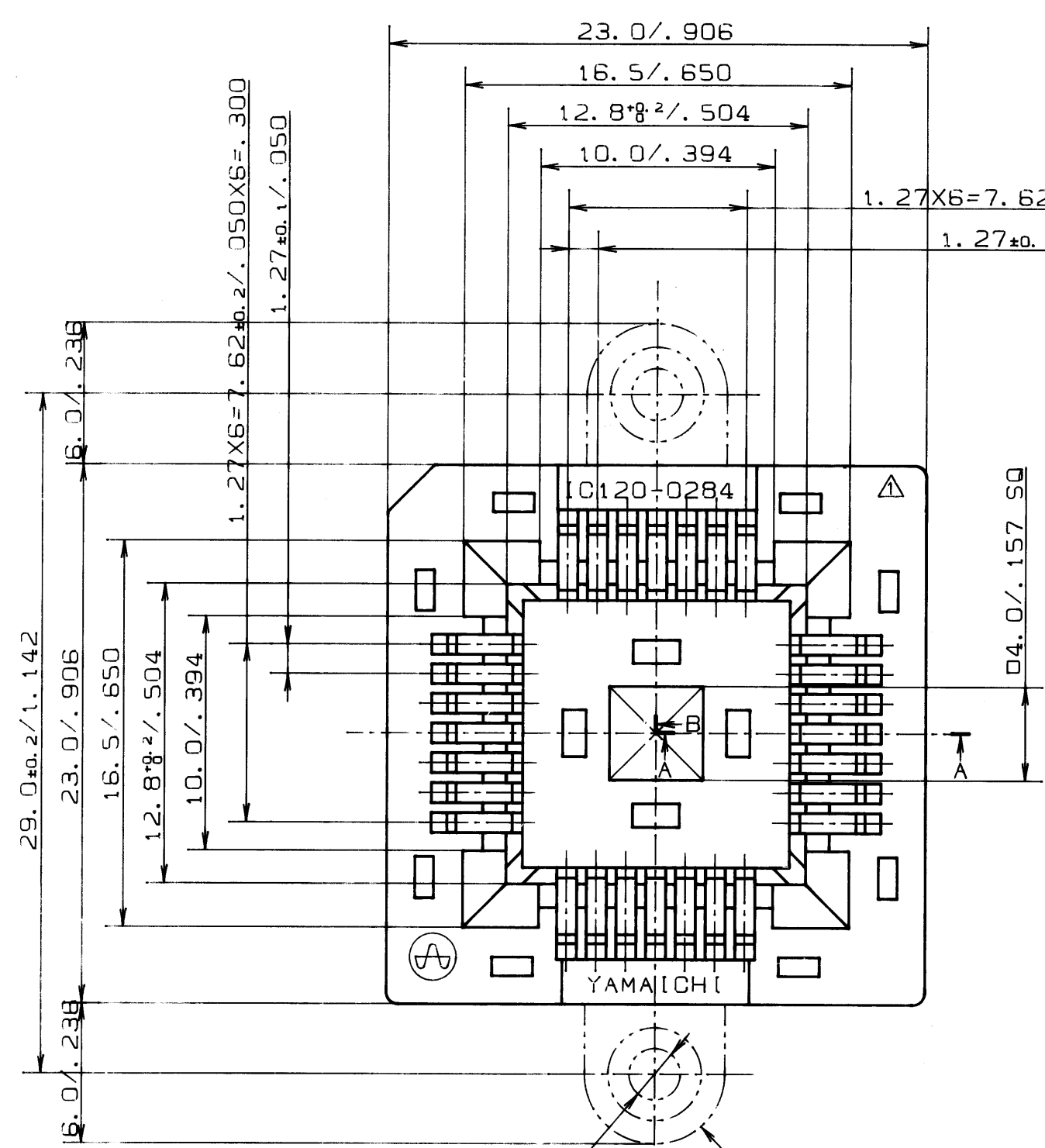


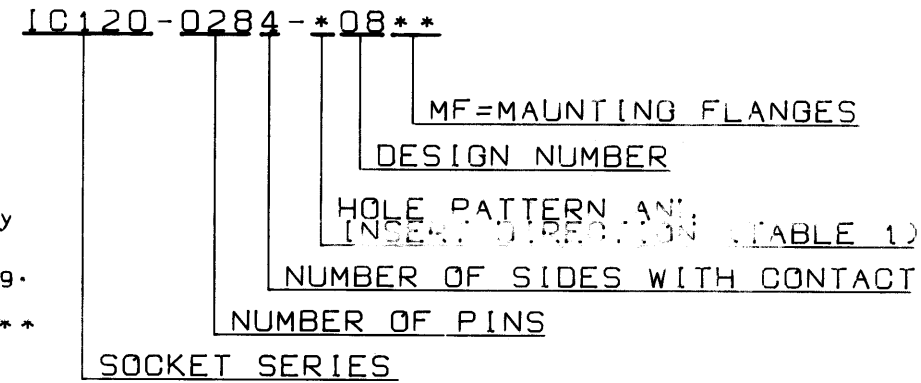
記号×数 SYM.×QNT.	変更内容 REVISION DESCRIPTION	承認 APP.	担当 SIGN.	年・月・日 DATE	変更通知書番号 REV. NOTICE NO.
△ × 2	Product numbers onto molding changed.			87-8-7	87-1014
△ × 1	Change of Material			91-6-10	91-1215
△ × 1	Change of Tolerance			88-4-19	89-0742
△ ×					
△ ×					



REMARKS

- Assignment of pins for A, B and C is the same, but the pin pattern of A, B and C are different.
- Product configuration. If a Flange is required on the socket, please specify by adding MF to the end of the part number when ordering.
- Product numbers: IC120-0284-008** (INSULATOR B), IC120-0284-008** (INSULATOR A), IC120-0284-008** (INSULATOR C), IC120-0284-008** (INSULATOR D).
- All products in this series have the product numbers molded onto them. EG: IC120-0284-008.

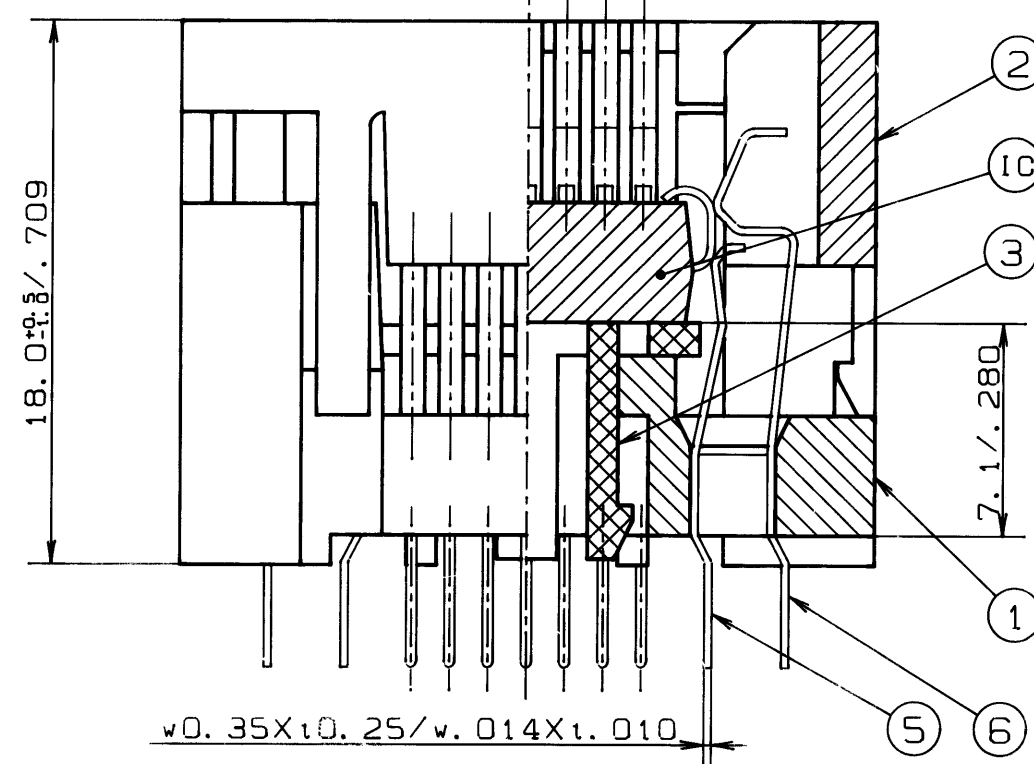
PART NUMBER IDENTIFICATION



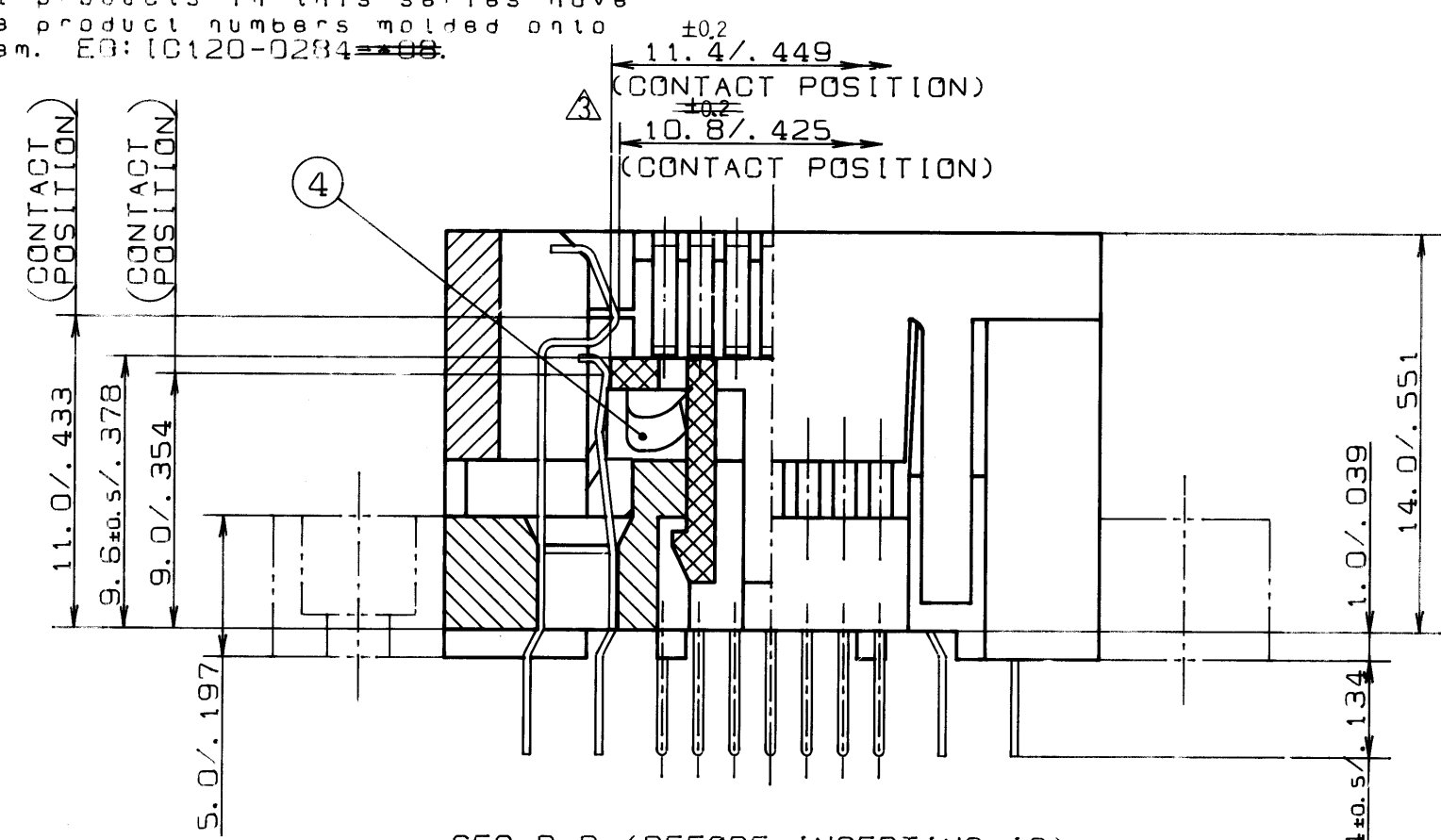
SPECIFICATION

- INSULATION RESISTANCE: 1.000MΩ mini. at DC500V.
- WITHSTANDING VOLTAGE: AC700V for one minute.
- CONTACT RESISTANCE: 30mΩ max. at 10mA/20mV max.
- OPERATING TEMPERATURE: -40°C ~ +170°C.
- NORMAL FORCE: 20g mini. / contact at minimum displacement 0.3mm, 90g max. / contact at maximum displacement 0.8mm.

2-φ2.2/DIA.087 THRU HOLE. SPOT FACING φ4.0/DIA.157 DEPTH 3.5/1.138

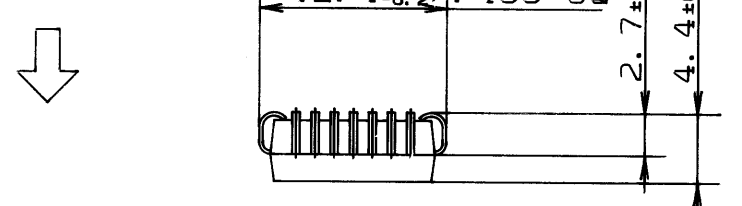


SEC. A-A (UNDER TESTING)



SEC. B-B (BEFORE INSERTING IC)

INSERT DIRECTION (DEAD BUG)



MATCHING IC DIMENSION

HANDLING INSTRUCTIONS (DEAD BUG)

Place the package in an upside down position on the plane and push downwards. Then lift Insulator B up to the lock position.

For extraction, push Insulator B downwards. The package comes up for easy removal with a vacuum or tweezers.

ITEM	DESCRIPTION	QUANTITY	MATERIAL	CONTENTS	PART IDENT.
6	CONTACT-424 D	TABLE 1	BeCu 10.25	Ni-Au PL. (CLASS BF)	SL-8996
5	CONTACT-424 C	TABLE 1			
4	IC120-0204-005 LEVER	4	PPS		SM-11598
3	IC120-0284-*08 PLANE	1	PEI (GF)	BLACK	SL-10085
2	IC120-0284-008 INSULATOR B	1	PPS△PEI (GF)		SL-10084
1	IC120-0284-008** INSULATOR A	1	PEI (GF)		SL-10083

TABLE 1

PART TITLE	HOLE PATTERN	NG. OF CONTACT C/D	INSERT DIRECTION
IC120-0284-008**	A	14/14	DEAD BUG
IC120-0284-208**	B	12/16	DEAD BUG
IC120-0284-408**	C	16/12	DEAD BUG

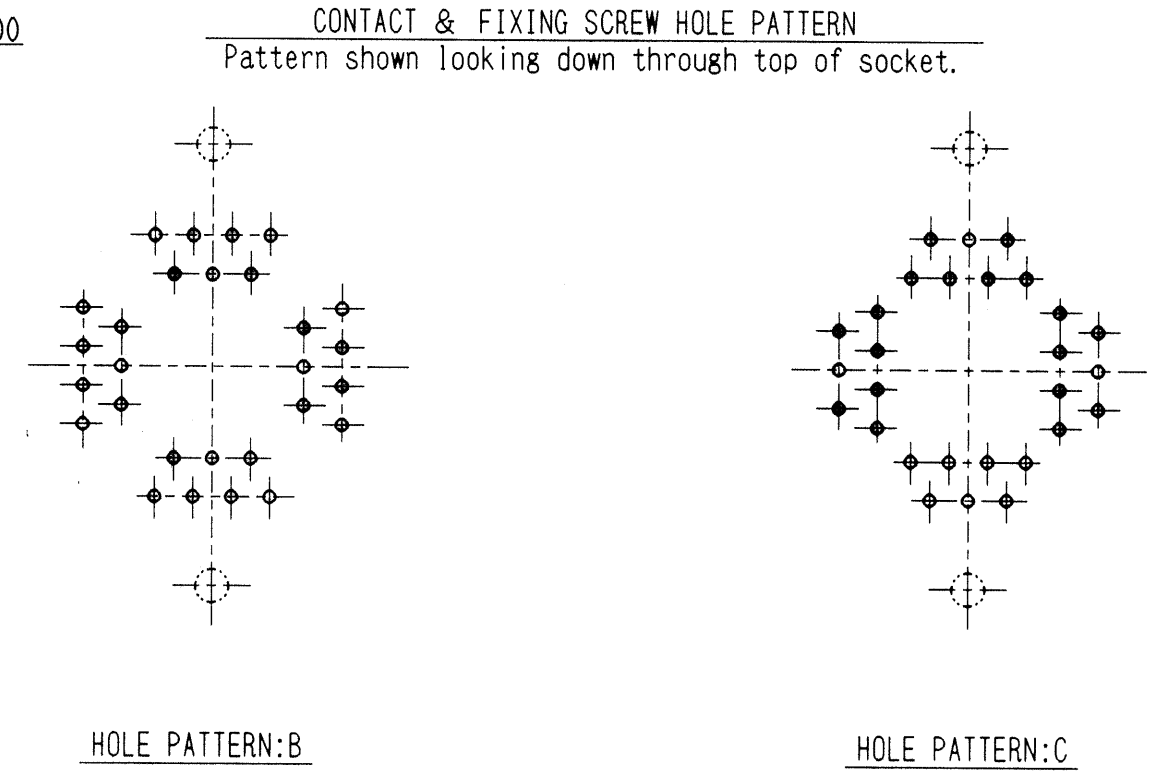
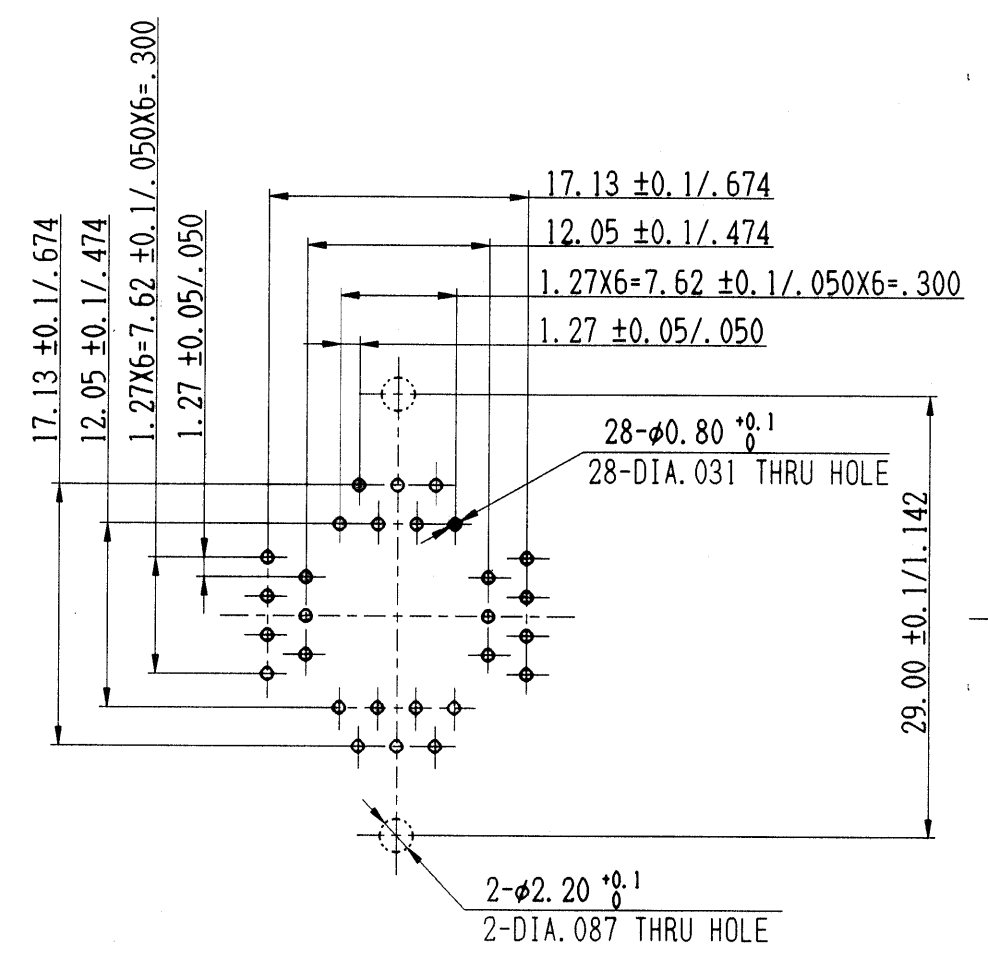
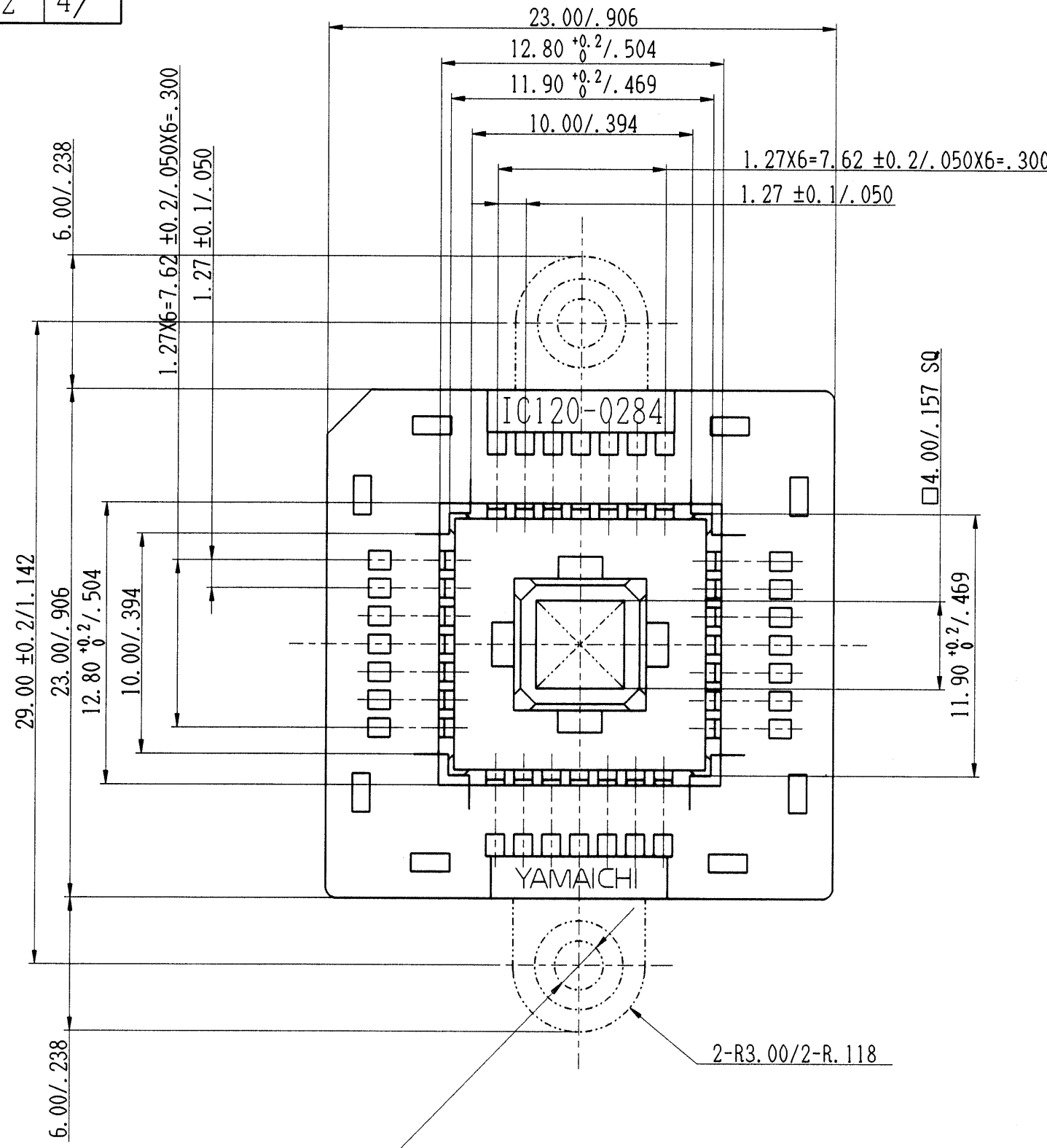
TOLERANCES. ±0.3/±0.12
Unless otherwise specified dimensions.

山一電機工業株式会社
YAMAICHI ELECTRIC MFG.CO.,LTD.

尺度 4/1	承認 APP.	承認 APP.	検閲 CHK.	製図 DRW.	設計 DSGN.	名称 (TITLE)	REV
単位 m/m	87-6-10	87-6-10	87-6-9	87-6-5	87-5-11	IC120-0284-*08**	
DIMENSION INCH						図番 (DRW. NO.)	
三角図法						KL-8452	
3RD ANGLE PROJECTION							

KL-8452 Sheet No. 4/

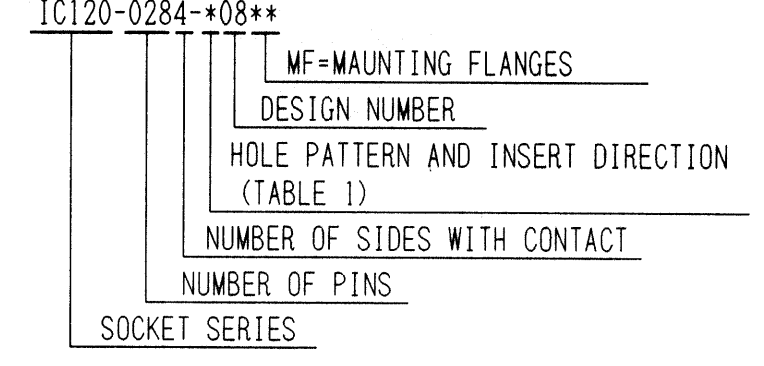
記号×数 SYM. X QNT.	変更内容 REVISION DESCRIPTION	承認 APP.	担当 SIGN.	年・月・日 DATE	変更通知番号 REV. NOTICE NO.
△ x	Redrawn	sasaki	uratsujii	'87・8・18	87-1014
△ x 14	Design changed	sasaki	uratsujii	'88・3・2	88-0156
△ x 1	Redrawn	Yoshida	Takeuchi	'94・9・19	技94-1407
△ x 1	Change of Tolerance	Yoshida	Takeuchi	'8・9・19	技95-0742



REMARKS

- Assignment of pins for A, B and C is the same, but the pin pattern of A, B and C are different.
- Product configuration. if a flange is required on the socket, please specify by adding MF to the end of the part number when ordering.
- IC120-0284-008-**, -208**, -408** are all described on drawing KL-8452 3/4.
- All products in this series have the product numbers molded onto them. EG: IC120-0284

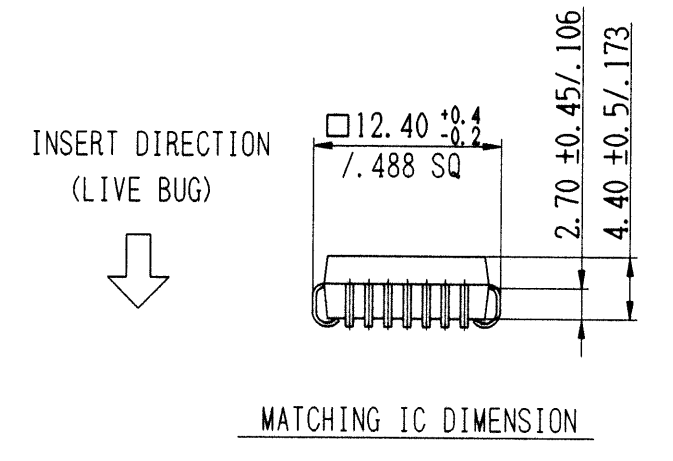
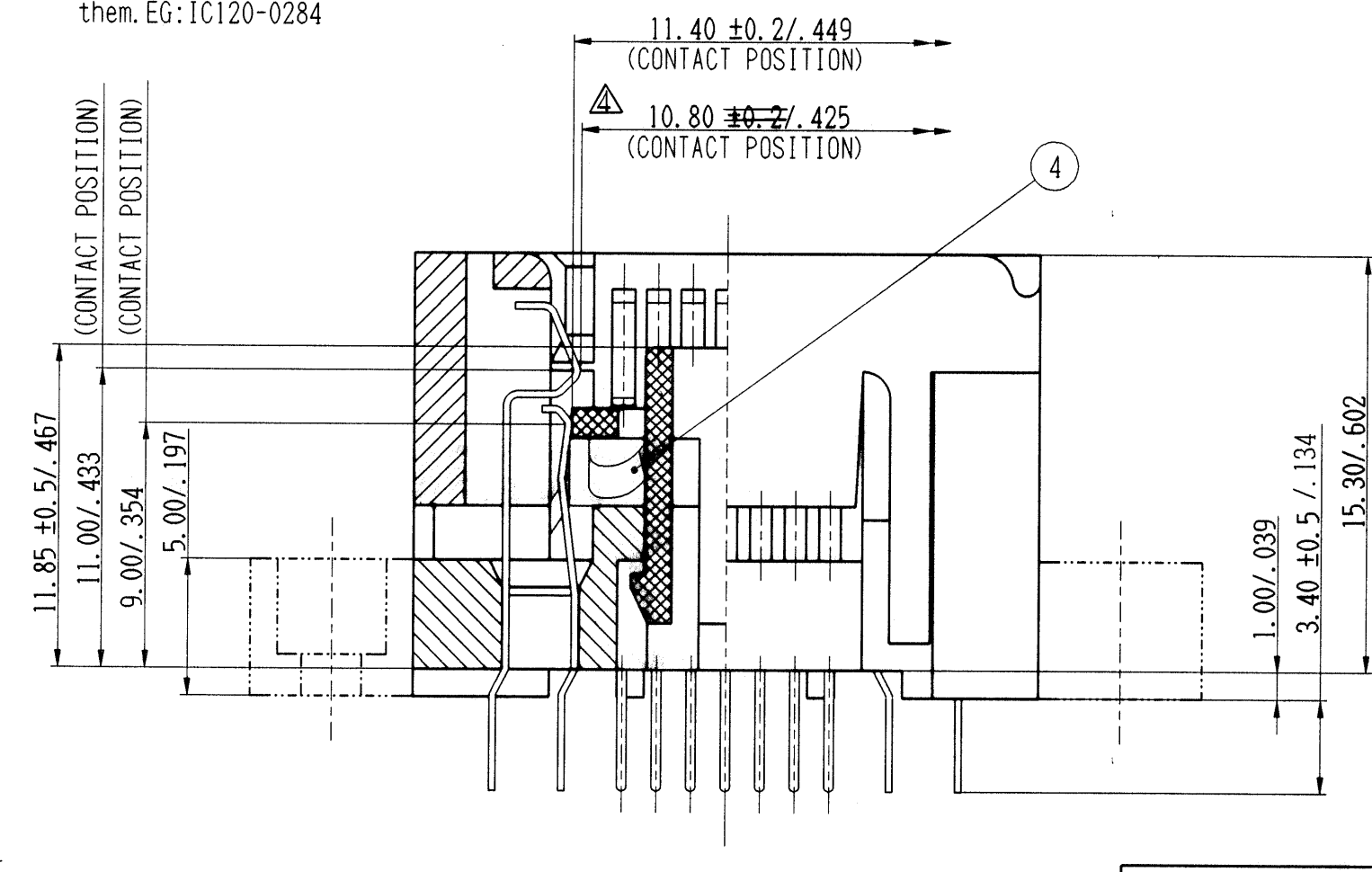
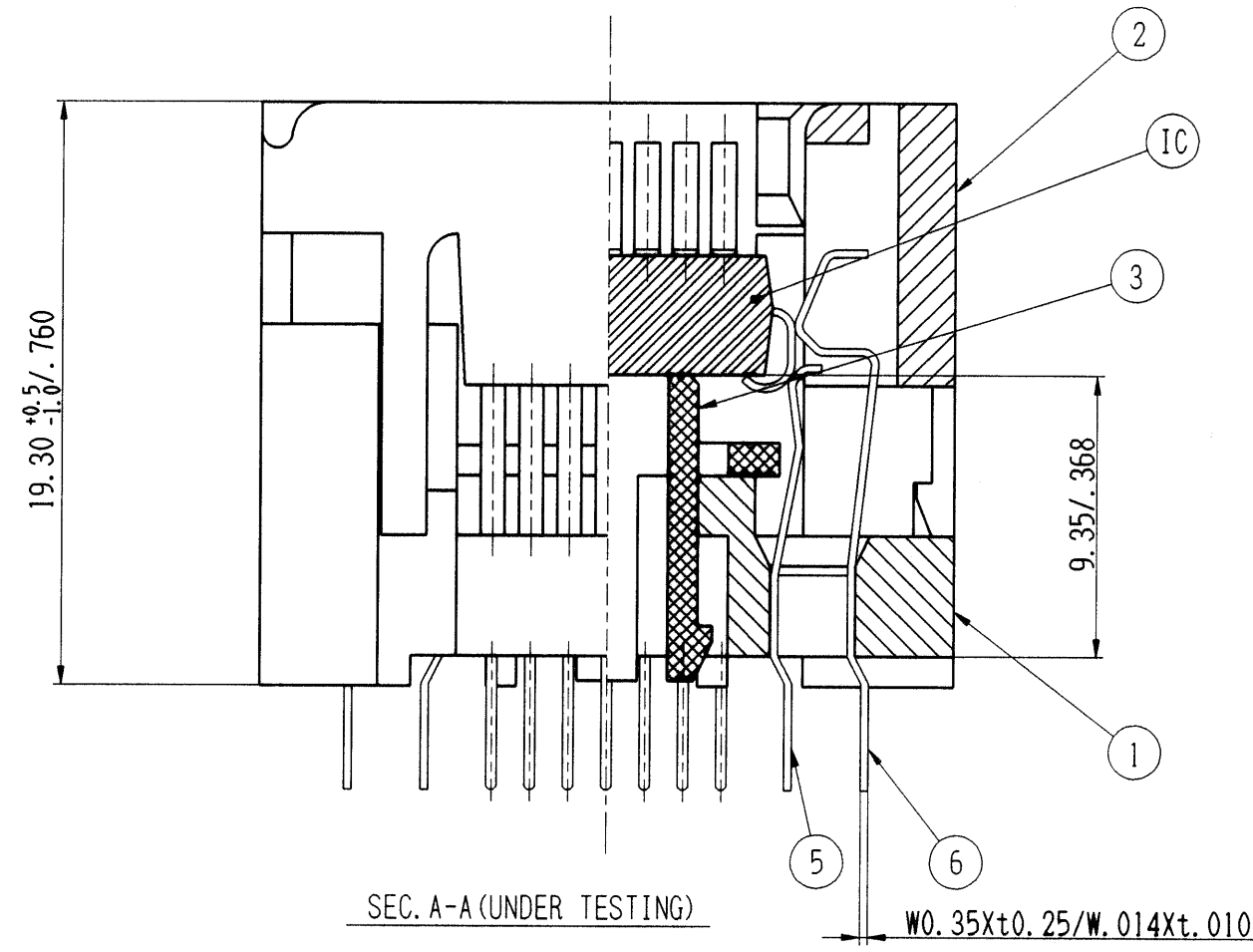
PART NUMBER IDENTIFICATION



SPECIFICATION

- INSULATION RESISTANCE: 1000MΩ min. at DC500V.
- WITHSTANDING VOLTAGE: AC700V for one minute.
- CONTACT RESISTANCE: 30mΩ max. at 10mA/20mV max.
- OPERATION TEMPERATURE: -40°C ~ +170°C
- NOMAL FORCE: 20g mini. /contact at minimum displacement 0.3mm. 90g max. /contact at maximum displacement 0.8mm.

2-φ2.20/DIA.087 THRU HOLE.
SPOT FACING φ4.0/DIA.157
DEPTH 3.5/138



HANDLING INSTRUCTIONS (LIVE BUG)

Place the package right side up onto the plane and push downwards. Then lift insulator B up to the lock position.

For extraction, push insulator B downwards. The package comes up for easy removal with a vacuum or tweezers.

ITEM	DESCRIPTION	QNT.	MATERIAL	CONTENT	PART IDENT.
6	Contact 424	D	TABLE 1	BeCu t0.25	Ni-Au Pt (Class B) SL-8996
4	IC120-0204-005 LEVER	4	PPS		SM-11598
3	IC120-0284-*08 PLANE-2	1	PEI (GF)	Black	SL-10086
2	IC120-0284-108 INSULATOR B	1	△ PEI (GF)		SL-10202
1	IC120-0284-008** INSULATOR A	1	PEI (GF)		SL-10083

TABLE 1

PART TITLE	HOLE PATTERN	NO. OF CONTACT C/D	INSERT DIRECTION
IC120-0284-108**	A	14/14	LIVE BUG
IC120-0284-308**	B	12/16	LIVE BUG
IC120-0284-508**	C	16/12	LIVE BUG

TOLERANCES. ±0.3/±0.012
Unless otherwise specified dimensions.

山一電機株式会社
YAMAICHI ELECTRONICS Co., Ltd.

分類 (CLASS) QFJ (PLCC) -28pin

尺度 SCALE	承認 APP.	承認 APP.	検図 CHK.	製図 DRW.	設計 DSGN.
4/1					

名称 (TITLE) IC120-0284-*08**
図番 (DRW. NO.) KL-8452
Sheet No. 4/ REV. E

X-ON Electronics

Largest Supplier of Electrical and Electronic Components

Click to view similar products for [IC & Component Sockets](#) category:

Click to view products by [Yamaichi](#) manufacturer:

Other Similar products are found below :

[0066-3-17-15-30-14-02-0](#) [670](#) [672](#) [673](#) [694-13-640-00-672-000](#) [712-93-120-41-001000](#) [714-93-104-31-018000](#) [8059-4G1-LF](#) [807-22-001-10-001101](#) [807-22-001-10-006101](#) [807-22-001-30-011101](#) [807-22-001-30-012101](#) [807-22-001-30-013101](#) [807-22-001-30-014101](#) [8-1437531-4](#) [8150-6P10](#) [833-93-034-10-001000](#) [851-41-006-10-001000](#) [851-43-008-20-001000](#) [851-43-014-20-001000](#) [851-93-006-20-001000](#) [851-93-010-20-001000](#) [853-43-020-10-001000](#) [86.010.0053.0](#) [116-43-308-41-007000](#) [PX-68LCC](#) [121-13-318-41-001000](#) [121-13-320-41-001000](#) [121-13-308-41-001000](#) [123-43-314-41-801000](#) [123-43-420-41-001000](#) [122-13-316-41-001000](#) [123-13-624-41-001000](#) [123-43-306-41-001000](#) [12-3513-11](#) [123-91-320-41-001000](#) [126-43-310-41-002000](#) [AKSUN 37V-T](#) [1437503-9](#) [1437504-1](#) [146-44-308-41-013000](#) [146-43-308-41-012000](#) [160-10-308-00-001000](#) [160-40-320-00-001000](#) [214-99-306-01-670800](#) [232-1270-02-0602](#) [2-382761-4](#) [2-5331677-4](#) [2-640360-3](#) [2801-2-00-50-00-00-07-0](#)