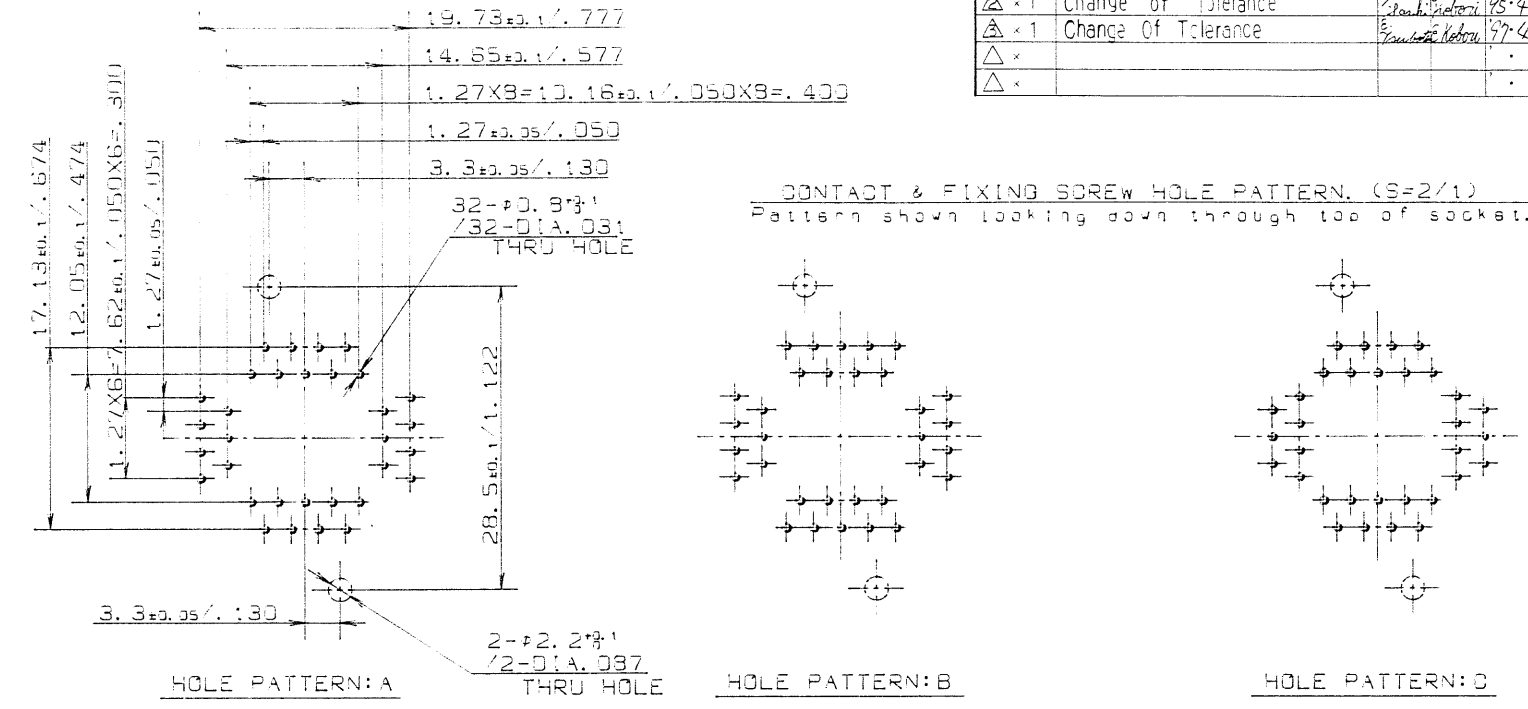
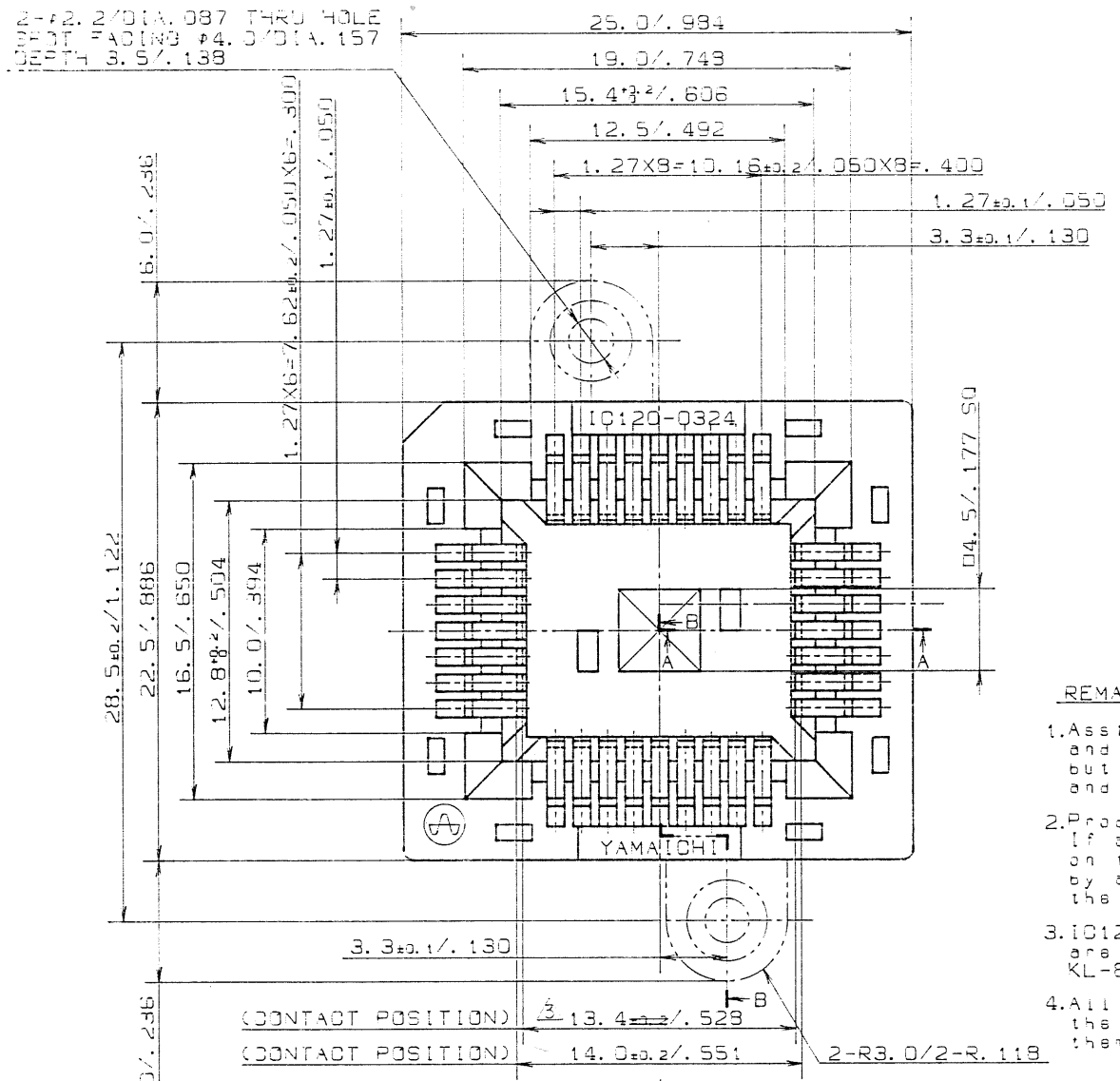


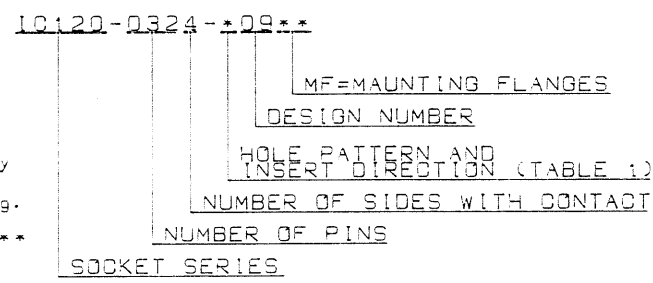
記号×数 SYMBOL×QTY	変更内容 REVISION DESCRIPTION	承認 APP.	担当 SIGN.	年・月・日 DATE	変更通知書番号 REV NOTICE NO.
△ ×	Redrawn			87-9-8	
△ × 1	Change of Tolerance			85-4-20	技55-3743
△ × 1	Change Of Tolerance			87-4-23	5797-0933
△ ×					
△ ×					



REMARKS

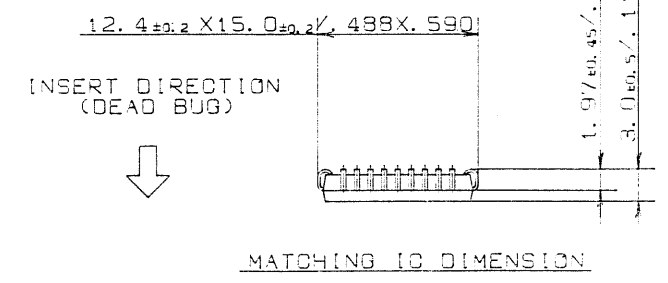
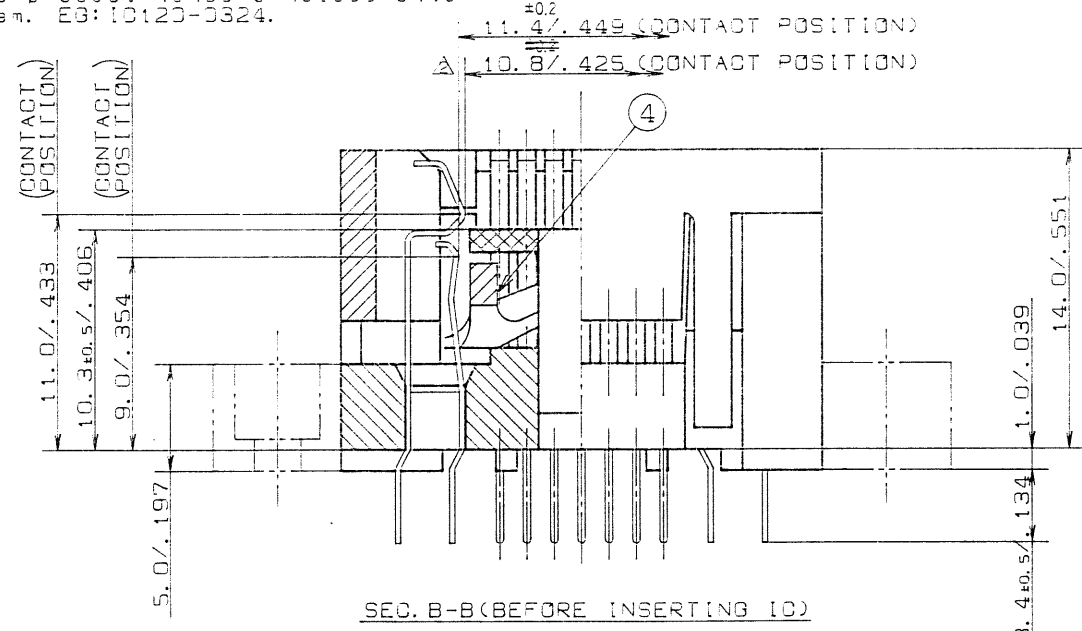
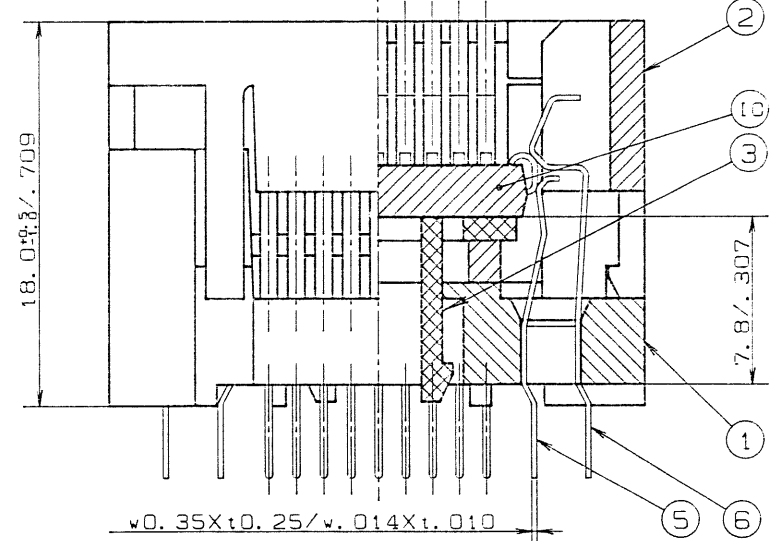
- Assignment of pins for A, B and C is the same, but the pin pattern of A, B and C are different.
- Product configuration. If a flange is required on the socket, please specify by adding MF to the end of the part number when ordering.
- 10:20-0324-109**, -309**, -509** are all described on drawing KL-8519 4/4.
- All products in this series have the product number molded onto them. EG: 10:20-0324.

PART NUMBER IDENTIFICATION



SPECIFICATION

- INSULATION RESISTANCE
1.000MΩ min. at DC500V.
- WITHSTANDING VOLTAGE
AC700V for one minute.
- CONTACT RESISTANCE
30mΩ max. at 10mA/20mV max.
- OPERATING TEMPERATURE
-40°C ~ +170°C.
- NORMAL FORCE
20g min.
/contact at minimum displacement 0.3mm.
90g max.
/contact at maximum displacement 0.8mm.



HANDLING INSTRUCTIONS (DEAD BUG)

Place the package in an upside down position on the plane and push downward. Then lift Insulator B up to the lock position.
For extraction, push Insulator B downward. The package comes up for easy removal with a vacuum or tweezers.

ITEM	DESCRIPTION	QUANTITY	MATERIAL	CONTENTS	PART IDENT
6	CONTACT-424 D	TABLE 1	BeCu t0.25	Ni-Au PL. (CLASS BF)	SL-8996
5	CONTACT-424 C	TABLE 1			
4	10:20-0224-001 LEVER	2	PPS	BLACK	SM-11464
3	10:20-0324-*09 PLANE-1	1	PEI (3F)	BLACK	SM-11801
2	10:20-0324-009 INSULATOR B	1	PPS	BLACK	SL-10167
1	10:20-0324-009** INSULATOR A	1	PEI (3F)	BLACK	SL-10166

TABLE 1

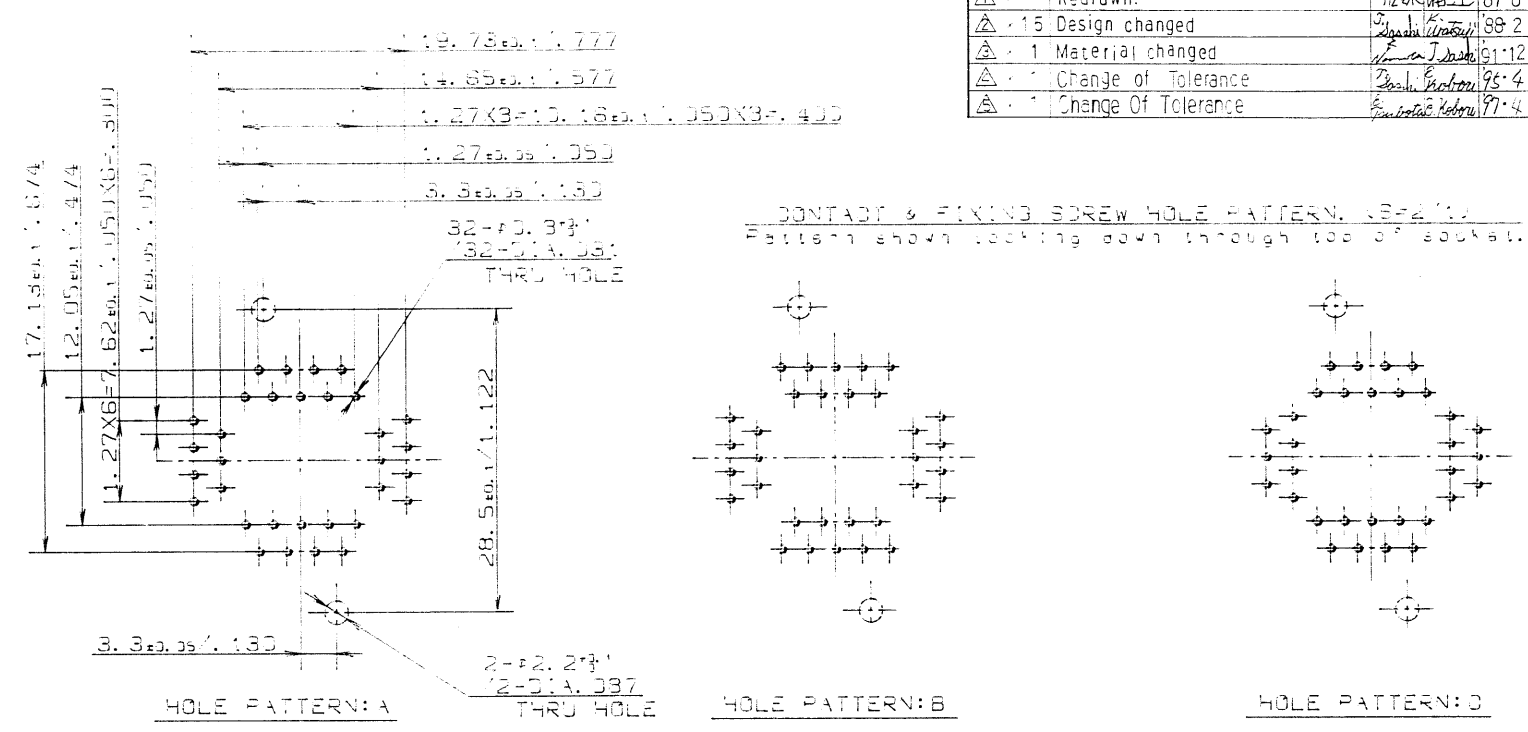
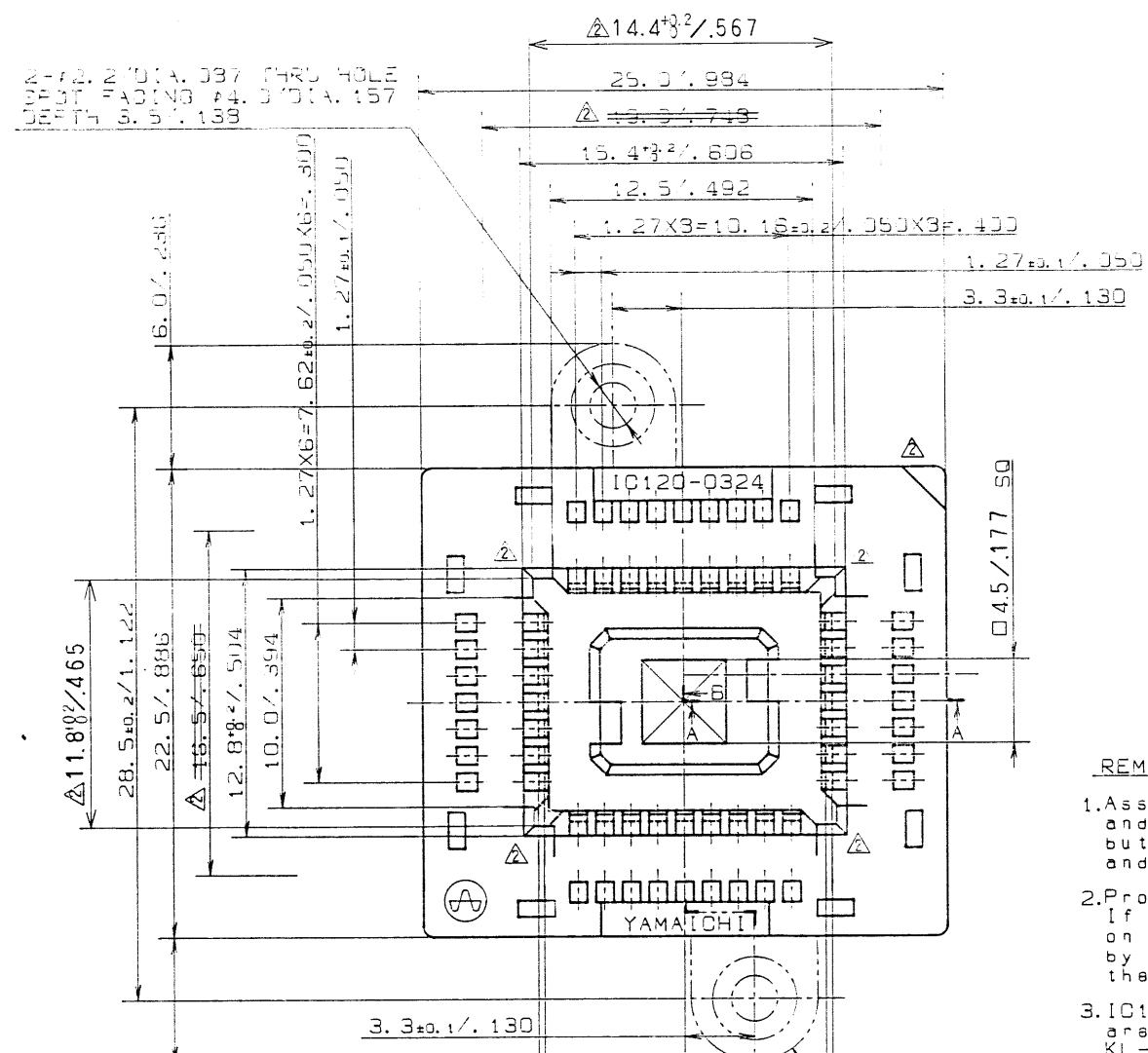
PART TITLE	HOLE PATTERN	NO. OF CONTACT O/D	INSERT DIRECTION
10:20-0324-009**	A	16/16	DEAD BUG
10:20-0324-209**	B	14/13	DEAD BUG
10:20-0324-409**	C	13/14	DEAD BUG

TOLERANCES. ±0.3/±.012
Unless otherwise specified dimensions.

山一電機工業株式会社
YAMAICHI ELECTRIC MFG.CO.,LTD.
分類 (CLASS)
名称 (TITLE)
10:20-0324-*09**
図番 (DRW NO.)
REV

尺度 SCALE	承認 APP.	承認 CHK.	検図 CHK.	製図 DRW	設計 DSGN
4/1					
単位 DIMENSION	承認 APP.	承認 CHK.	検図 CHK.	製図 DRW	設計 DSGN
m/mm INCH					
三角図法 3RD ANGLE PROJECTION					

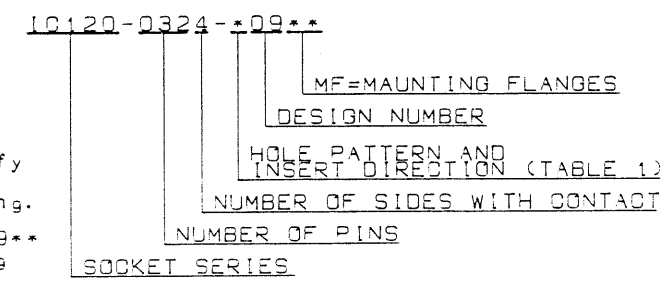
記号/数 SYM/ QNT	変更内容 REVISION DESCRIPTION	承認担当 APP. SIGN	年・月・日 DATE	変更通知番号 REV NOTICE NO.
△	Redrawn.	佐々木 正	87-8-8	
△	15 Design changed	佐々木 正	88-2-4	88-0135
△	1 Material changed	佐々木 正	91-12-2	91-2415
△	Change of Tolerance	佐々木 正	95-4-20	95-0743
△	Change Of Tolerance	佐々木 正	97-4-23	97-0933



REMARKS

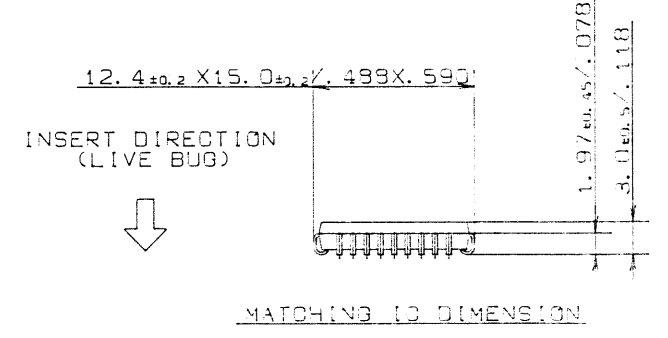
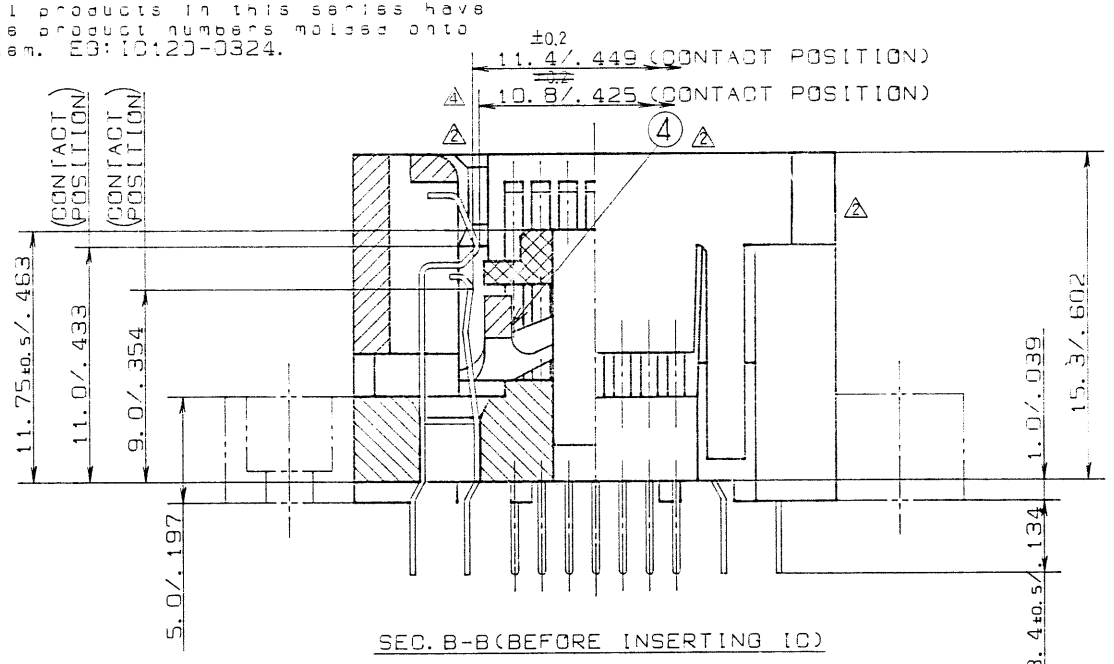
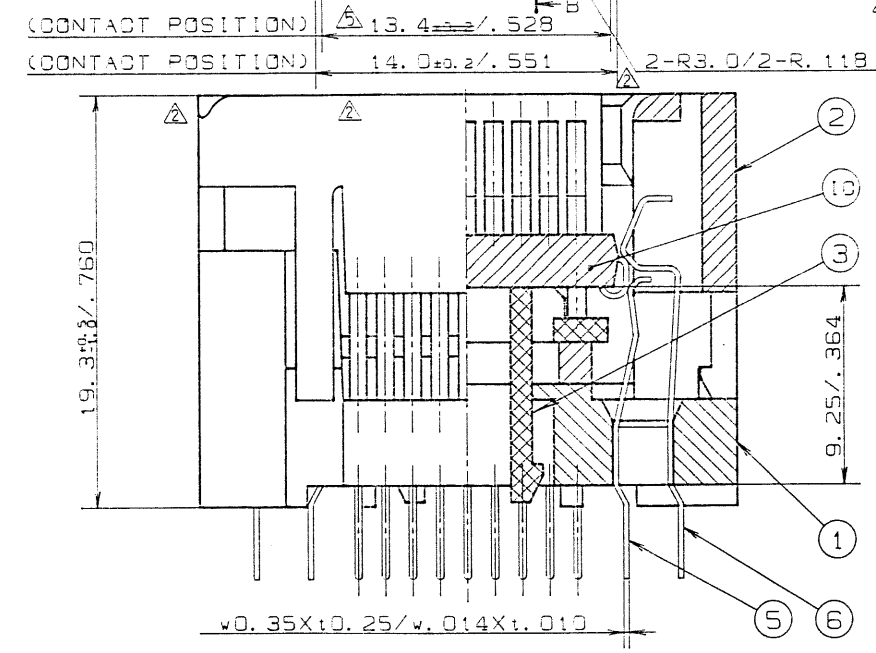
- Assignment of pins for A, B and C is the same, but the pin pattern of A, B and C are different.
- Product configuration. If a Flange is required on the socket, please specify by adding MF to the end of the part number when ordering.
- 10120-0324-009**, -209**, -409** are all described on drawing KL-9519 3/4
- All products in this series have the product numbers molase onto them. EG: 10120-0324.

PART NUMBER IDENTIFICATION



SPECIFICATION

- INSULATION RESISTANCE
1,000MΩ mini. at DC500V.
- WITHSTANDING VOLTAGE
AC700V for one minute.
- CONTACT RESISTANCE
30mΩ max. at 10mA/20mV max.
- OPERATING TEMPERATURE
-40°C v +170°C.
- NORMAL FORCE
20g mini.
/contact at minimum displacement 0.3mm.
90g max.
/contact at maximum displacement 0.8mm.



HANDLING INSTRUCTIONS (LIVE BUG)

Place the package right side up onto the plate and push downward. Then lift insulator B up to the lock position.
For extraction, push insulator B downward. The package comes up for easy removal with a vacuum or tweezers.

ITEM	DESCRIPTION	QUANTITY	MATERIAL	CONTENTS	PART IDENT
2	CONTACT-424	D	TABLE 1	BsCu 10.25	Ni-Au PL. (CLASS BF) SL-8996
3	CONTACT-424	C	TABLE 1		
4	10120-0224-001 LEVER		2	PPS	BLACK SM-11484
5	10120-0324-009 PLANE-2			PEI (GF)	BLACK SM-11902
6	10120-0324-139 INSULATOR B			PEI (GF) △	BLACK SL-10195
7	10120-0324-009** INSULATOR A			PEI (GF)	BLACK SL-10186

PART TITLE	HOLE PATTERN	NO. OF CONTACT	INSERT DIRECTION
10120-0324-009**	A	16/18	LIVE BUG
10120-0324-309**	B	14/13	LIVE BUG
10120-0324-509**	C	13/14	LIVE BUG

TOLERANCES. ±0.3/±.012
Unless otherwise specified dimensions.

山一電機工業株式会社
YAMAICHI ELECTRIC MFG.CO.,LTD.

分類 (CLASS)
名称 (TITLE)
10120-0324-009**
図番 (DRW NO.)
REV

尺度 4/4
SCALE
単位 mm
DIMENSION UNIT
三角図法
TRIANGLE PROJECTION

承認 APP. 承認 APP. 検閲 CHK. 製図 DRW. 設計 DESGN.
佐々木 正 佐々木 正 佐々木 正 佐々木 正 佐々木 正
87-8-20 87-8-8 87-6-11

KL-9519 4/4

X-ON Electronics

Largest Supplier of Electrical and Electronic Components

Click to view similar products for [IC & Component Sockets](#) category:

Click to view products by [Yamaichi](#) manufacturer:

Other Similar products are found below :

[0066-3-17-15-30-14-02-0](#) [670](#) [672](#) [673](#) [694-13-640-00-672-000](#) [712-93-120-41-001000](#) [714-93-104-31-018000](#) [8059-4G1-LF](#) [807-22-001-10-001101](#) [807-22-001-10-006101](#) [807-22-001-30-011101](#) [807-22-001-30-012101](#) [807-22-001-30-013101](#) [807-22-001-30-014101](#) [8-1437531-4](#) [8150-6P10](#) [833-93-034-10-001000](#) [851-41-006-10-001000](#) [851-43-008-20-001000](#) [851-43-014-20-001000](#) [851-93-006-20-001000](#) [851-93-010-20-001000](#) [853-43-020-10-001000](#) [86.010.0053.0](#) [116-43-308-41-007000](#) [PX-68LCC](#) [121-13-318-41-001000](#) [121-13-320-41-001000](#) [121-13-308-41-001000](#) [123-43-314-41-801000](#) [123-43-420-41-001000](#) [122-13-316-41-001000](#) [123-13-624-41-001000](#) [123-43-306-41-001000](#) [12-3513-11](#) [123-91-320-41-001000](#) [126-43-310-41-002000](#) [AKSUN 37V-T](#) [1437503-9](#) [1437504-1](#) [146-44-308-41-013000](#) [146-43-308-41-012000](#) [160-10-308-00-001000](#) [160-40-320-00-001000](#) [214-99-306-01-670800](#) [232-1270-02-0602](#) [2-382761-4](#) [2-5331677-4](#) [2-640360-3](#) [2801-2-00-50-00-00-07-0](#)