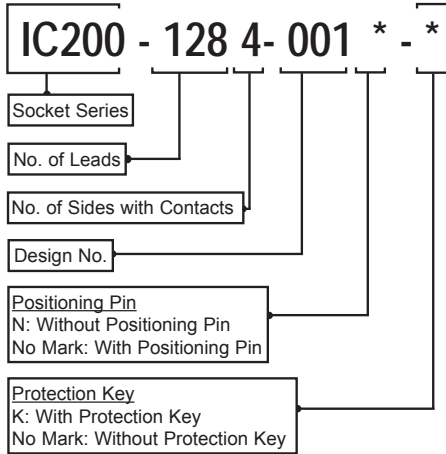
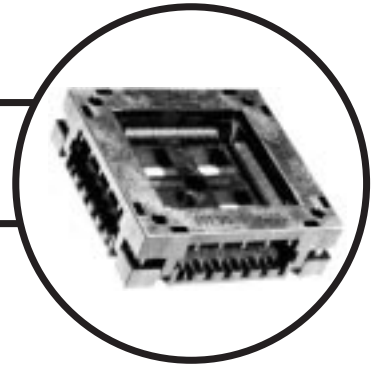


QFP (Open Top)

IC200 Series

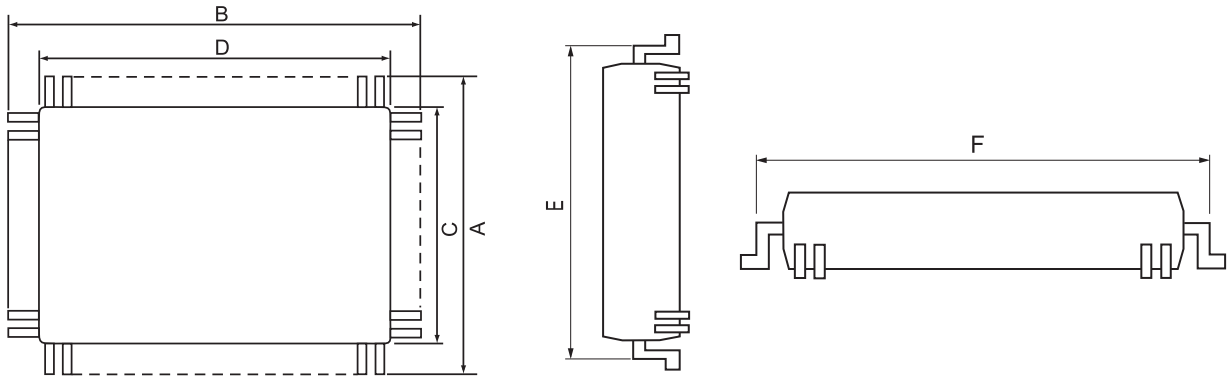


Characteristics

Insulation Resistance: 1,000M Ω minimum at 500 VDC
 Withstanding Voltage: 100-700 VAC for 1 minute
 Contact Resistance: 30m Ω max. at 10mA/20mV (Initial)
 Operating Temperature: -40°C ~ +170°C

Material

Insulator: PEI (Glass Filled)
 Contact: Beryllium Copper
 Plating: Gold over Nickel



Part Number	No. of Leads	Body Width	Pitch	Matching Package Dimensions						Notes
				A	B	C	D	E (Max)	F (Max)	
IC200-1284-001	128	28 x 28	0.8mm	32.00	32.00	28.0	28.0	30.6	30.6	Clamshell IC51-1284-976-1
IC200-2084-010	208	28 x 28	0.5mm	30.60	30.60	28.0	28.0	29.8	29.8	
IC200-2084-009	208	28 x 28	0.5mm	31.20	31.20	28.0	28.0	30.3	30.3	

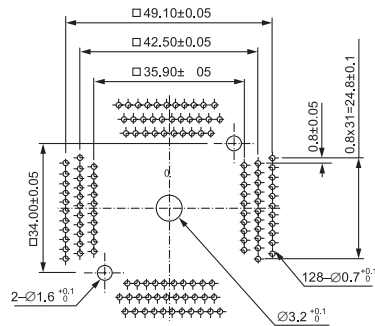
Note: The above represents general guideline information only. We recommend actual check of package before ordering. Please call for other pin-counts.

PC BOARD LAYOUTS

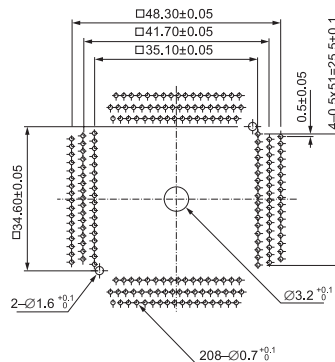
QFP (Open Top)

IC200 Series

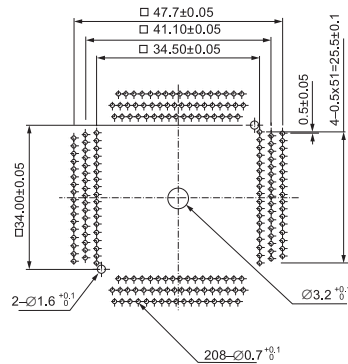
QFP IC200-1284-001 (128 Pins)



QFP IC200-2084-009 (208 Pins)



QFP IC200-2084-010 (208 Pins)



Quad Flat Packages

X-ON Electronics

Largest Supplier of Electrical and Electronic Components

Click to view similar products for [IC & Component Sockets](#) category:

Click to view products by [Yamaichi](#) manufacturer:

Other Similar products are found below :

[0066-3-17-15-30-14-02-0](#) [670](#) [672](#) [673](#) [694-13-640-00-672-000](#) [712-93-120-41-001000](#) [714-93-104-31-018000](#) [8059-4G1-LF](#) [807-22-001-10-001101](#) [807-22-001-10-006101](#) [807-22-001-30-011101](#) [807-22-001-30-012101](#) [807-22-001-30-013101](#) [807-22-001-30-014101](#) [8-1437531-4](#) [8150-6P10](#) [833-93-034-10-001000](#) [851-41-006-10-001000](#) [851-43-008-20-001000](#) [851-43-014-20-001000](#) [851-93-006-20-001000](#) [851-93-010-20-001000](#) [853-43-020-10-001000](#) [86.010.0053.0](#) [116-43-308-41-007000](#) [PX-68LCC](#) [121-13-318-41-001000](#) [121-13-320-41-001000](#) [121-13-308-41-001000](#) [123-43-314-41-801000](#) [123-43-420-41-001000](#) [122-13-316-41-001000](#) [123-13-624-41-001000](#) [123-43-306-41-001000](#) [12-3513-11](#) [123-91-320-41-001000](#) [126-43-310-41-002000](#) [AKSUN 37V-T](#) [1437503-9](#) [1437504-1](#) [146-44-308-41-013000](#) [146-43-308-41-012000](#) [160-10-308-00-001000](#) [160-40-320-00-001000](#) [214-99-306-01-670800](#) [232-1270-02-0602](#) [2-382761-4](#) [2-5331677-4](#) [2-640360-3](#) [2801-2-00-50-00-00-07-0](#)