

TSOP (Type II, Open Top)

IC235 Series

Characteristics

Insulation Resistance: 1,000MΩ minimum at 500 VDC
 Withstanding Voltage: 700 VAC for 1 Minute
 Contact Resistance: 30mΩ max. at 10mA/20mV (Initial)
 Operating Temperature: -40°C ~ +150°C

Material

Insulator: PEI (Glass Filled)
 Contact: Beryllium Copper
 Plating: Gold over Nickel

IC235- 032 2- 001 N

Socket Series

No. of Leads

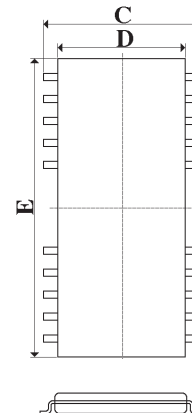
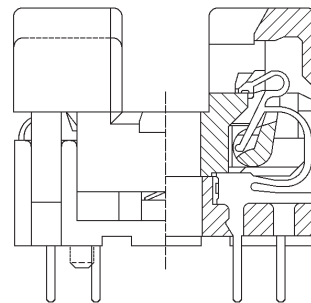
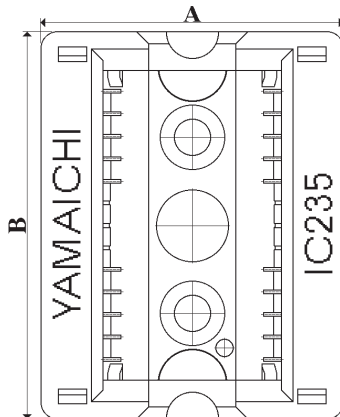
No. of Sides with Contacts

Design No.

Positioning Pin

N: Without Positioning Pin

No Mark: With Positioning Pin



Small Outline Packages

Part Number	No. of Leads	Pitch	Dimensions				
			A	B	C	D	E
IC235-0202-201-*	20 (26)	1.27	17.3	22.0	9.22	7.56	17.44
IC235-0242-202-*	24 (26)	1.27	17.3	22.0	9.22	7.56	17.44
IC235-0242-203-*	24 (28)	1.27	19.9	23.3	11.76	10.16	18.71
IC235-0262-206-*	26	1.27	17.3	22.0	9.22	7.56	17.44
IC235-0282-204-*	28	1.27	19.9	23.3	11.76	10.16	18.71
IC235-0322-253*	32	1.27	20.2	26.4	11.76	10.16	21.35
IC235-0402-205-*	40 (44)	0.80	19.9	24.0	11.76	10.16	18.71
IC235-0442-207-*	44	0.80	19.9	24.0	11.76	10.16	18.71
IC235-0442-215-*	-50	0.80	20.2	26.4	11.76	10.16	21.35
IC235-0502-209-*	50	0.80	20.2	26.4	11.76	10.16	21.35
IC235-0542-218-*	54	0.80	23.0	28.0	14.30	12.70	22.47
IC235-0542-239	54	0.80	20.2	28.0	11.76	10.16	22.92

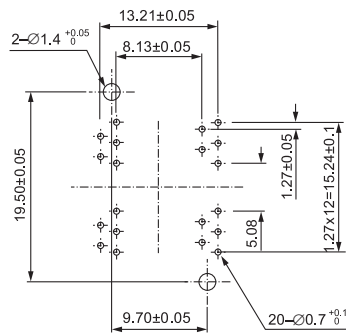
Note: Please call Yamaichi Electronics for other available pin counts.

TSOP (Type II, Open Top)

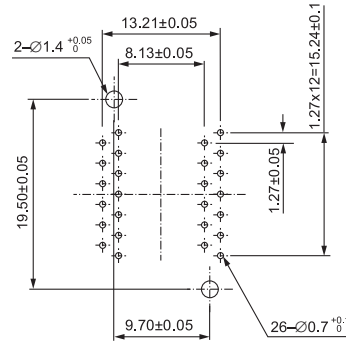
PC BOARD LAYOUTS

IC235 Series

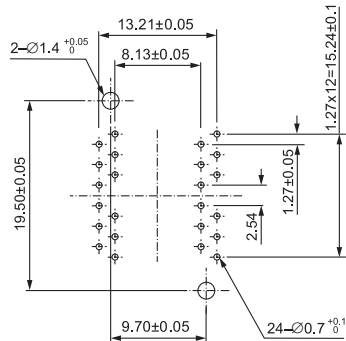
TSOP IC235-0202-201 (20 Pins)



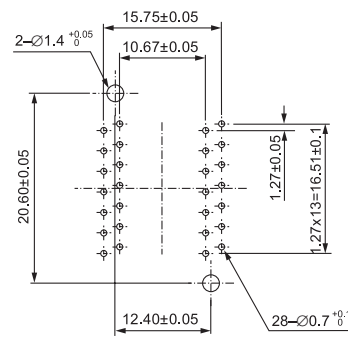
TSOP IC235-0262-206 (26 Pins)



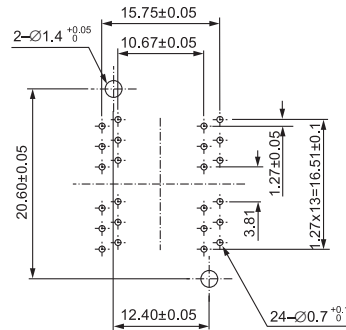
TSOP IC235-0242-202 (24 Pins)



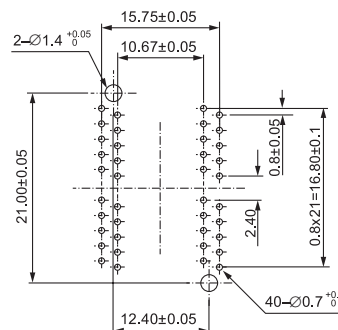
TSOP IC235-0282-204 (28 Pins)



TSOP IC235-0242-203 (24 Pins)



TSOP IC235-0402-205 (40 Pins)

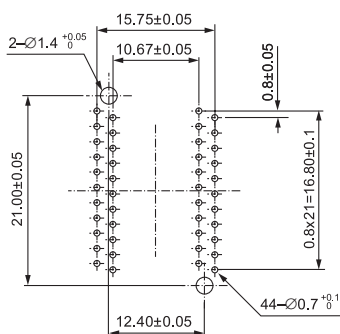


PC BOARD LAYOUTS

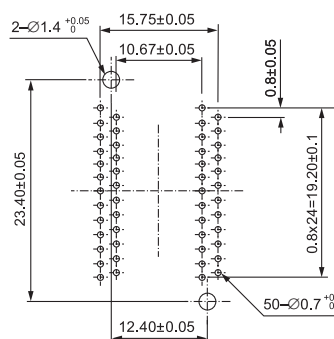
TSOP (Type II, Open Top)

IC235 Series

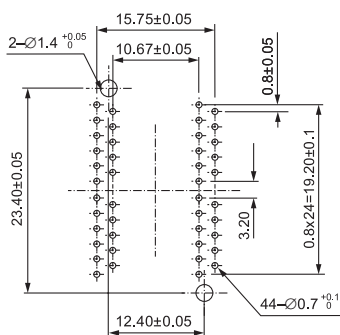
TSOP IC235-0442-207 (44 Pins)



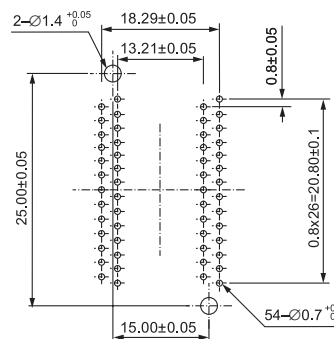
TSOP IC235-0502-209 (50 Pins)



TSOP IC235-0442-215 (44 Pins)



TSOP IC235-0542-218 (54 Pins)
TSOP IC235-0542-218-2 (54 Pins)



Small Outline Packages

X-ON Electronics

Largest Supplier of Electrical and Electronic Components

Click to view similar products for [IC & Component Sockets](#) category:

Click to view products by [Yamaichi](#) manufacturer:

Other Similar products are found below :

[0066-3-17-15-30-14-02-0](#) [670](#) [672](#) [673](#) [694-13-640-00-672-000](#) [712-93-120-41-001000](#) [714-93-104-31-018000](#) [8059-4G1-LF](#) [807-22-001-10-001101](#) [807-22-001-10-006101](#) [807-22-001-30-011101](#) [807-22-001-30-012101](#) [807-22-001-30-013101](#) [807-22-001-30-014101](#) [8-1437531-4](#) [8150-6P10](#) [833-93-034-10-001000](#) [851-41-006-10-001000](#) [851-43-008-20-001000](#) [851-43-014-20-001000](#) [851-93-006-20-001000](#) [851-93-010-20-001000](#) [853-43-020-10-001000](#) [86.010.0053.0](#) [116-43-308-41-007000](#) [PX-68LCC](#) [121-13-318-41-001000](#) [121-13-320-41-001000](#) [121-13-308-41-001000](#) [123-43-314-41-801000](#) [123-43-420-41-001000](#) [122-13-316-41-001000](#) [123-13-624-41-001000](#) [123-43-306-41-001000](#) [12-3513-11](#) [123-91-320-41-001000](#) [126-43-310-41-002000](#) [AKSUN 37V-T](#) [1437503-9](#) [1437504-1](#) [146-44-308-41-013000](#) [146-43-308-41-012000](#) [160-10-308-00-001000](#) [160-40-320-00-001000](#) [214-99-306-01-670800](#) [232-1270-02-0602](#) [2-382761-4](#) [2-5331677-4](#) [2-640360-3](#) [2801-2-00-50-00-00-07-0](#)