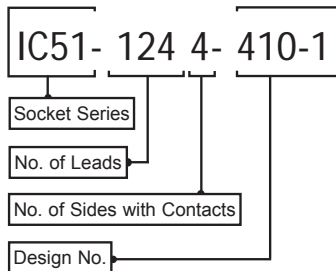


PLCC (Clamshell)

IC51 Series

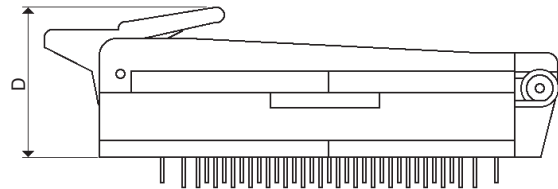
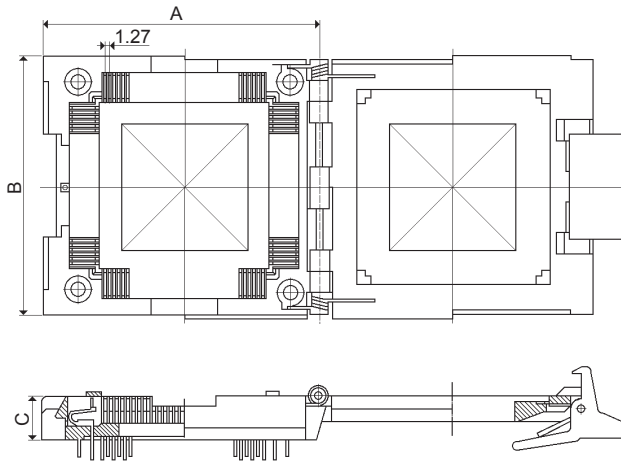


Characteristics

Insulation Resistance: 1,000M Ω minimum at 500 VDC
 Withstanding Voltage: 700 VAC for 1 minute
 Contact Resistance: 30m Ω max. at 10mA/20mV (Initial)
 Operating Temperature: -55°C ~ +170°C

Material

Insulator: PEI (Glass Filled)
 Contact: Beryllium Copper
 Plating: Gold over Nickel



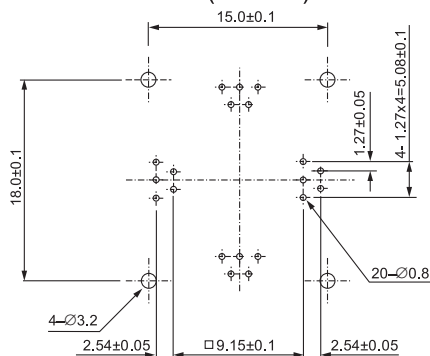
Part Number	No. of Leads	A	B	C (Open)	D (Closed)
IC51-0184-398	18	52	30.0	9.0	2.0
IC51-0204-415	20	54.0	26.0	10.0	20.5
IC51-0204-602	20	31.5	26.0	10.0	20.0
IC51-0224-570	22	29.5	30.0	9.0	19.5
IC51-0284-399	28	36.0	30.0	10.0	20.5
IC51-0324-453	32	35.0	30.0	9.0	19.5
IC51-0444-400	44	40.0	34.0	10.0	20.0
IC51-0524-411-1	52	43.0	38.0	10.0	23.5
IC51-0684-390-1	68	49.0	42.0	10.0	23.5
IC51-0844-401-1	84	55.0	48.0	10.0	23.5
IC51-1004-405-1	100	60.0	54.0	10.0	23.5
IC51-1244-410-1	124	65.0	60.0	10.0	23.5

PC BOARD LAYOUTS

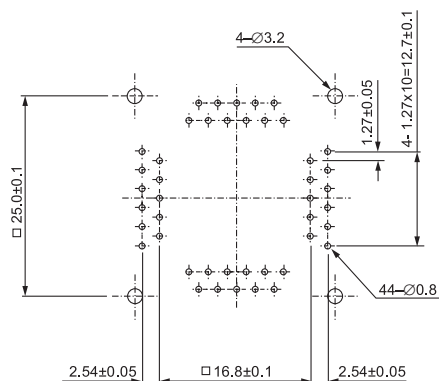
PLCC (Clamshell)

IC51 Series

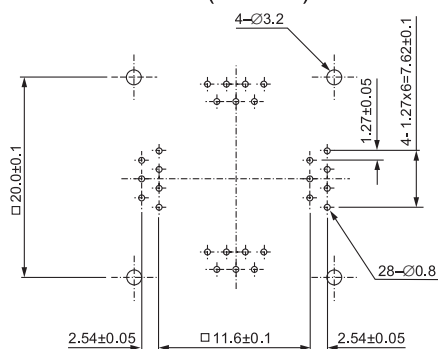
IC51-0204-602 (20 Pins)



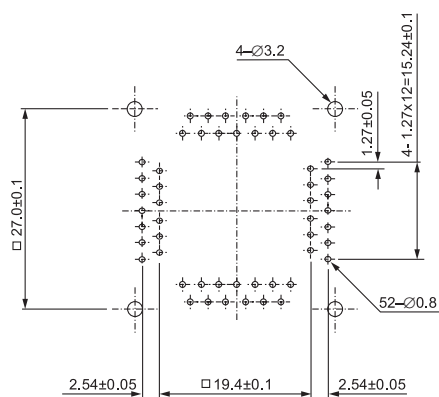
IC51-0444-400 (44 Pins)



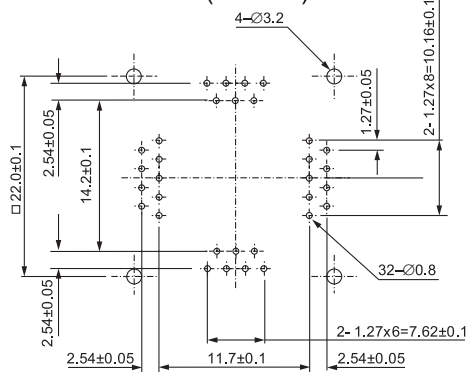
IC51-0284-399 (28 Pins)



IC51-0524-411-1 (52 Pins)



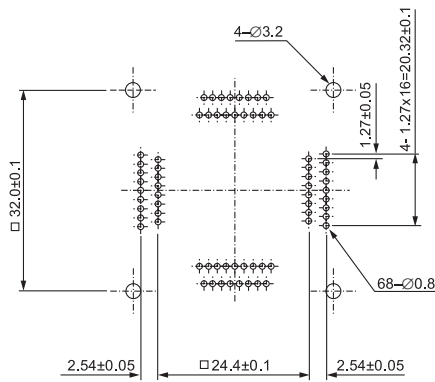
IC51-0324-453 (32 Pins)



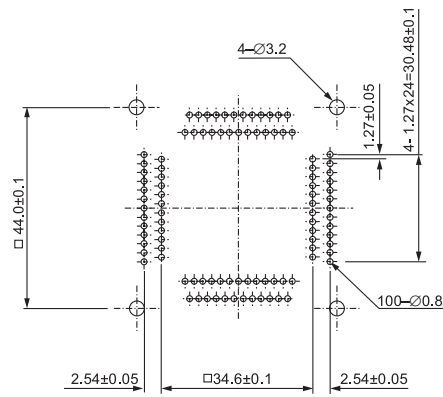
Quad Flat Packages

IC51 Series

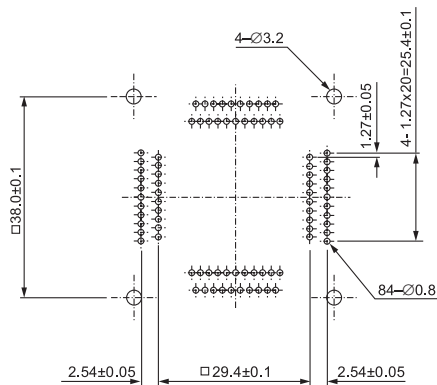
IC51-0684-390-1 (68 Pins)



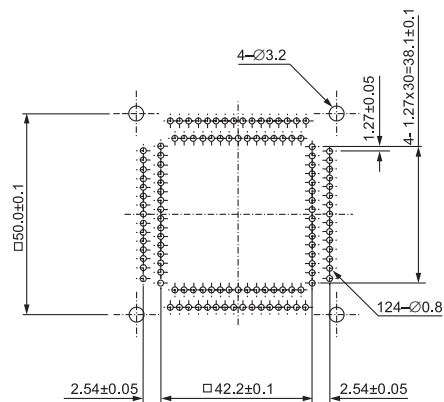
IC51-1004-405-1 (100 Pins)



IC51-0844-401-1 (84 Pins)



IC51-1244-410-1 (124 Pins)



X-ON Electronics

Largest Supplier of Electrical and Electronic Components

Click to view similar products for [Board to Board & Mezzanine Connectors](#) category:

Click to view products by [Yamaichi](#) manufacturer:

Other Similar products are found below :

[589158040000018](#) [MDF7C-18P-2.54DSA\(55\)](#) [FCN-230C068-11](#) [FCN-268F012-G/BD](#) [FCN-268F036-G/BD](#) [FCN-268M012-G/0D](#) [FCN-268M024-G/1D](#) [FCN-723J004/1](#) [MIS-048-01-F-D-DP-K](#) [832-10-034-10-001000](#) [FX4C-80S-1.27DSA](#) [FCN-214Q030-G/0](#) [FCN-234P048-G/0](#) [FCN-235D050-G/C](#) [210-93-314-41-105000](#) [2-22603-0](#) [MDF7-40DP-2.54DSA\(55\)](#) [AXG720047](#) [5031084030](#) [MIT-114-03-F-D-K](#) [55323-1519](#) [DF33-2P-3.3DSA\(24\)](#) [YFT-20-05-H-03-SB-K](#) [503308-3040](#) [026-6203-PDB](#) [027-6203-PDB](#) [069159702701000](#) [10123981-102LF](#) [101A10019X](#) [55650-0588-C](#) [68684-306](#) [75140-7012](#) [589159005003045](#) [063209](#) [194261-1](#) [FCN-268F024-G0D](#) [10124054-515LF](#) [68685-603](#) [8-1616154-3](#) [MIS-019-01-F-D](#) [589159005002045](#) [541371078](#) [IL-WX-10PB-HF-B-E1000E](#) [FCN-268M024-G/3D](#) [20021832-06016C1LF](#) [KX15-20KLDL-E1000E](#) [MDF7-16DP-2.54DSA\(55\)](#) [AXE810124](#) [FCN-214J100-G/0](#) [FCN-230C068-E/S](#)