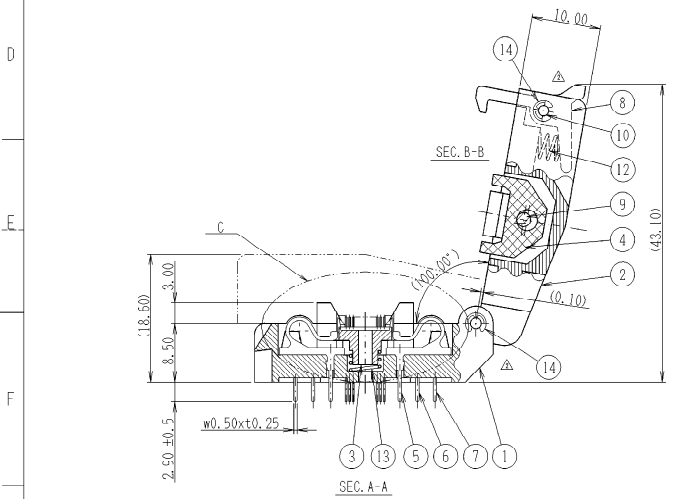
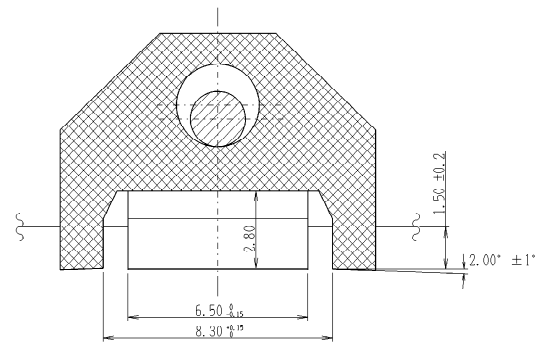
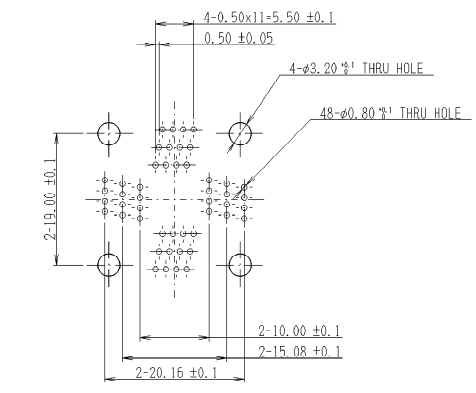
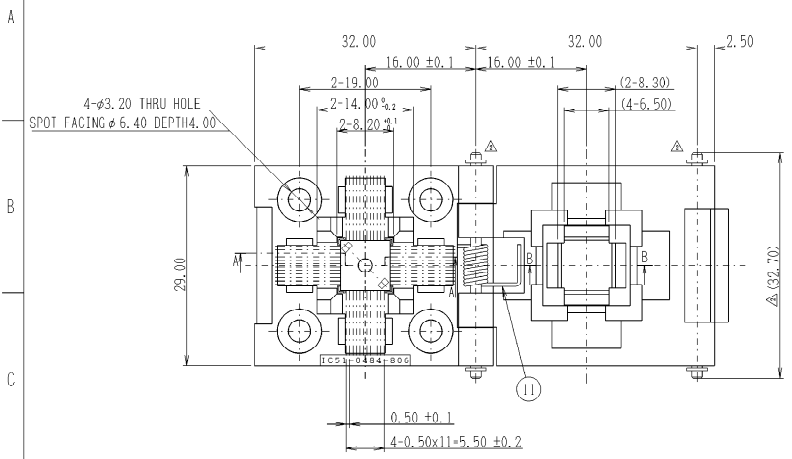


Please consult factory to verify latest revision.

No. x QTY.	REVISION DESCRIPTION	APP.	CHK.	DSGN.	Mo - D - Yr	Decision Change #
△ x 2	Part change.	KATO		Y. K.	2-19-93	E 93-0325
△ x 9	Part change and added.	T. K.		Y. N.	9-20-94	E 94-1654
△ x						
△ x						
△ x						

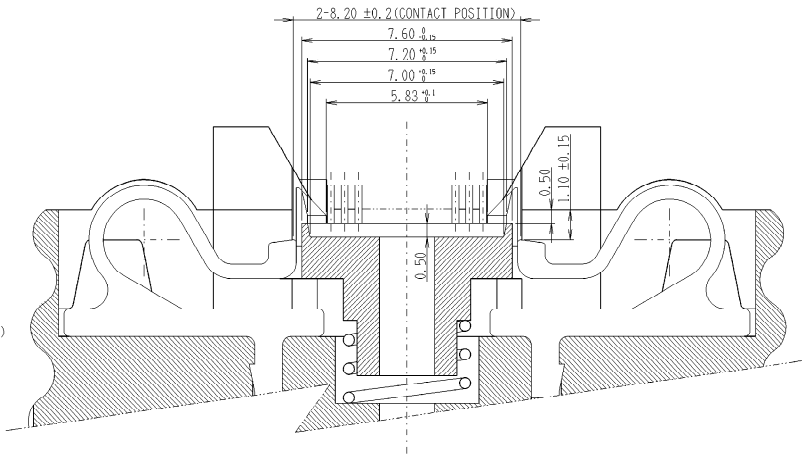
This is the English version drawing, please note all Japanese text has been removed. Please consult factory for latest revision.



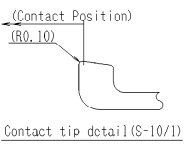
ORDERING CODE:
 IC51-0484-806
 DESIGN NUMBER
 CONTACT SIDES
 PIN COUNT
 SERIES DESCRIPTION NUMBER
 IC SOCKET

- NOTE
- This document defines specifications for IC51-0484-806.
 - Original part and drawing number IC51-0484-806 (KL-8512-1)
 - Ordering identification. IC51-0484-806

- SPECIFICATION
- Insulation Resistance: 1000MΩ or more at 100VDC.
 - Dielectric Withstanding Voltage: 100VAC for one minute.
 - Contact Resistance: 30mΩ or less at 10mA, 20mV. (initial)
 - Operating Temperature: -55°C ~ +170°C
 - Contact Force: 0.29N (30gf)~1.96N (200gf) within contact travel distance between 0.2mm~0.8mm.



DETAIL C (Detail dimension of IC positioning base) (S=FREE)



ITEM	DESCRIPTION	QTY.	MATERIAL	CONTENT	PART IDENT
△ 14	E SHAPE LOCKING RING	4	E1.2	Standard Product	
13	COIL SPRING TYPE-36	1	SUS DIA. 0.4	SM-11751	
12	COIL SPRING TYPE-11	1	SUS DIA. 0.3	SM-11332	
11	COIL SPRING TYPE-23	1	SUS DIA. 0.5	SM-11581	
10	P-SHAFT TYPE-69	2	SUS 303 DIA. 1.5 L=29.7	SL-12067	
9	M-SHAFT TYPE-07	1	BS DIA. 2.0 L-29.0	SL-7575	
8	SNAP SEGMENT-26 RW	1	PPS	BLACK SL-9531	
7		-C	16		
6	Contact 494	-B	16	8eCu t0.25	Ni-Au PL (B Class) SM-11567
5		-A	16		
4	IC51-0484-806 #PL	1	PES(GF)	BLACK	SL-10100
3	IC51-0484-806 #LB	1	PEI(GF)	BLACK	SL-10099
2	IC51-0484-806 #PP	1	PES(GF)	BLACK	SL-10098
1	IC51-0484-806 #1N	1	PES(GF)	BLACK	SL-10097

DU-2204				YAMAICHI ELECTRONICS USA, INC.	
TOLERANCES: ± 0.3				(CLASS) VQFP-p0.5-48P	
Unless otherwise specified				(TITLE) IC51-0484-806	
SCALE 2/1	APP.	APP.	CHK.	DRW.	DSGN.
DIMENSION	2-25-02	2-21-02	2-21-02	2-21-02	2-21-02
3RD. ANGLE PROJECTION	IIW	ALL	ACQ	ACQ	
				(DRW. NO.)	Sheet No. /
				YEU-A0220	REV. G

X-ON Electronics

Largest Supplier of Electrical and Electronic Components

Click to view similar products for [IC & Component Sockets](#) category:

Click to view products by [Yamaichi](#) manufacturer:

Other Similar products are found below :

[0066-3-17-15-30-14-02-0](#) [670](#) [672](#) [673](#) [694-13-640-00-672-000](#) [712-93-120-41-001000](#) [714-93-104-31-018000](#) [8059-4G1-LF](#) [807-22-001-10-001101](#) [807-22-001-10-006101](#) [807-22-001-30-011101](#) [807-22-001-30-012101](#) [807-22-001-30-013101](#) [807-22-001-30-014101](#) [8-1437531-4](#) [8150-6P10](#) [833-93-034-10-001000](#) [851-41-006-10-001000](#) [851-43-008-20-001000](#) [851-43-014-20-001000](#) [851-93-006-20-001000](#) [851-93-010-20-001000](#) [853-43-020-10-001000](#) [86.010.0053.0](#) [116-43-308-41-007000](#) [PX-68LCC](#) [121-13-318-41-001000](#) [121-13-320-41-001000](#) [121-13-308-41-001000](#) [123-43-314-41-801000](#) [123-43-420-41-001000](#) [122-13-316-41-001000](#) [123-13-624-41-001000](#) [123-43-306-41-001000](#) [12-3513-11](#) [123-91-320-41-001000](#) [126-43-310-41-002000](#) [AKSUN 37V-T](#) [1437503-9](#) [1437504-1](#) [146-44-308-41-013000](#) [146-43-308-41-012000](#) [160-10-308-00-001000](#) [160-40-320-00-001000](#) [214-99-306-01-670800](#) [232-1270-02-0602](#) [2-382761-4](#) [2-5331677-4](#) [2-640360-3](#) [2801-2-00-50-00-00-07-0](#)