

Series NC (MDR) IDC Type Plugs (1.27mm Pitch)

Specifications

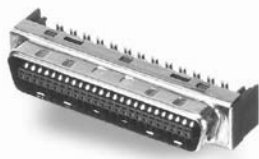
Insulation Resistance: 500M Ω min. at 500V DC
 Withstanding Voltage: 500V ACrms for 1 minute
 Contact Resistance: 35m Ω max. at 10mA
 Current Rating: 0.5A
 Operating Temp. Range: -55°C to +85°C

Materials and Finish

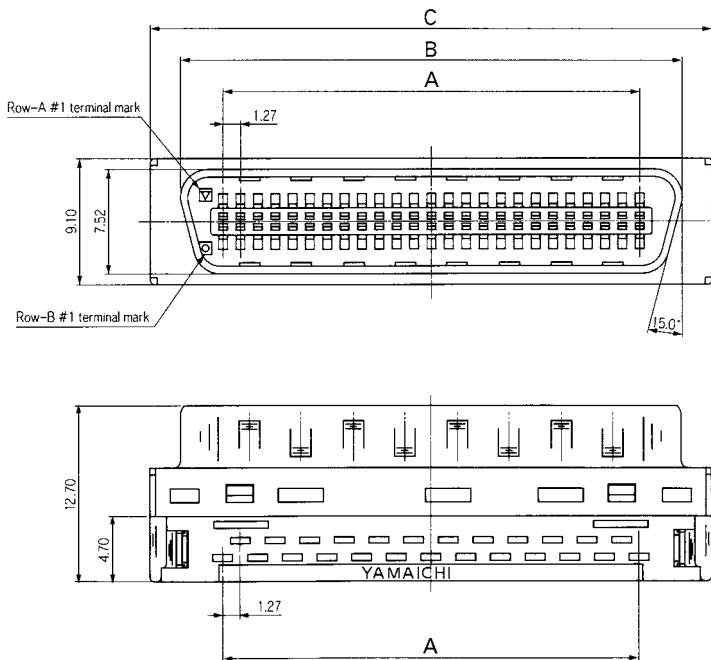
Housing: PBT (glass filled), UL94V-0 rated
 Contacts: Copper Alloy
 Plating: Mating Face - Au over Ni
 IDC Terminals - Flash Au over Ni

Features

- 1.27mm pitch interface connectors with bellows type contacts



Outline Plug Dimensions



Part Number (Details)

NCP 050 - 0 * 0 - BF

Series (plug)

No. of Leads

2 = IDC for Flat Cable
 (36 and 50 leads only)
 3 = IDC for Discrete Wire

Connection Type: 0 = IDC

Contact Plating:

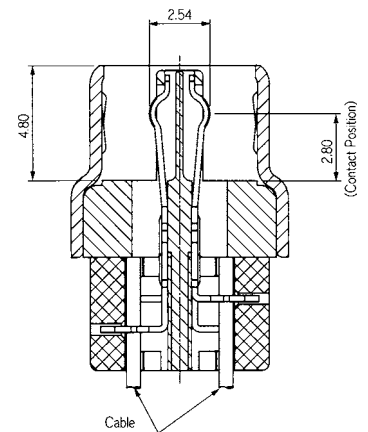
B = Mating Face Contacts - Au (0.3 μ m min.) over Ni
 F = IDC Terminals - Flash Au over Ni

Applicable Cables (for e.g. see Section F)

NCP-020-BF:** 1.27mm pitch flat cable.
 Stranded wire AWG 28 (7/0.127),
 cable outer diameter 0.8 to 1.1mm
e.g. SFX-S*, DK**

NCP-030-BF:** Discrete wire.
 Stranded wire: AWG 28 (7/0.127),
 insulation outer diameter 0.8 to 1.1mm
e.g. 7/0.127* UL20276*

Contact Details



Mini Delta Ribbon

Standard types

Part Number	No. of Leads	A	B	C
NCP036-020-BF	36	21.59	27.80	32.20
NCP036-030-BF	36	21.59	27.80	32.20
NCP050-020-BF	50	30.48	36.60	41.10
NCP050-030-BF	50	30.48	36.60	41.10

Series NHA Metal Cover (180° Cable Exit)

Common Connector Cover



Part Number (Details)

NHA 050 - MC 01

Series No.

No. of Leads

Type MC = Metal Cover

01 = For I/O Cables

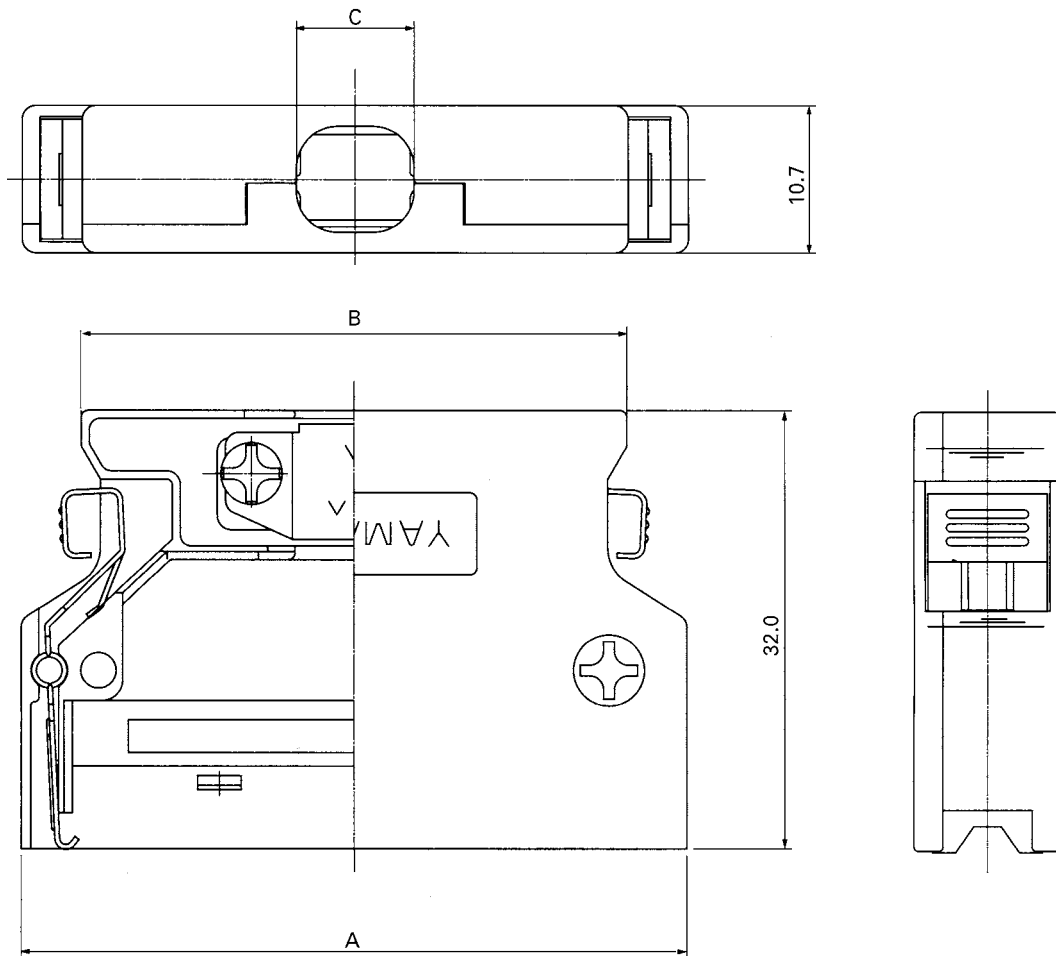
Materials and Finish

Metal Parts: ZDC, Nickel Plated

Features

- Metal cover for EMI protection

Outline Dimensions



Covers for SCSI and Mini Delta Ribbon

Part Number	No. of Leads	A	B	C	Cable Outer Dia.
NHA026-MC01	26	33.5	24.7	7.2	Ø6.0 ~ Ø7.0
NHA050-MC01	50	48.7	40.0	8.6	Ø7.6 ~ Ø8.6
NHA068-MC01	68	60.1	51.4	9.4	Ø8.5 ~ Ø9.5

X-ON Electronics

Largest Supplier of Electrical and Electronic Components

Click to view similar products for [FFC & FPC Connectors](#) category:

Click to view products by [Yamaichi](#) manufacturer:

Other Similar products are found below :

[FPH-1422G](#) [FPH-1602G](#) [K-FC20](#) [FH29B-80S-0.2SHW\(99\)](#) [FPH-2022G](#) [AYF332735](#) [52610-1075](#) [52610-1275](#) [52610-1934](#) [501864-3091-TR225](#) [086222026001800](#) [52610-0675](#) [62684-36210E9ALF](#) [52746-1671-TR250](#) [10051922-2810EHLF](#) [6-520415-9](#) [SFV6R-1STE9HLF](#) [XF3M-2915-1B-R100](#) [1658549-1](#) [AYF534065TA](#) [AYF351525](#) [086212040340800+](#) [AYF530365TA](#) [67000-014LF](#) [67000-004LF](#) [006207341915000+](#) [DS1020-19RT1D](#) [67000-003LF](#) [67000-011LF](#) [67000-016LF](#) [HFW14R-2STE9LF](#) [SFV32R-2STBE9HLF](#) [SFW12R-5STE9LF](#) [SFW18R-1STAE9LF](#) [SFW4R-5STE9LF](#) [52807-0430](#) [046283021002868+](#) [THD1015-8CL-SN](#) [67000-006LF](#) [502250-8027](#) [104267-9617](#) [66987-011LF](#) [AYF362535](#) [F0501-T-50-20T-R](#) [F1003-ZV-12-25T-R](#) [HFW8S-2STAE1HLF](#) [67000-008LF](#) [67000-012LF](#) [ECC576069EU](#) [F1002-B-20-20T-R](#)