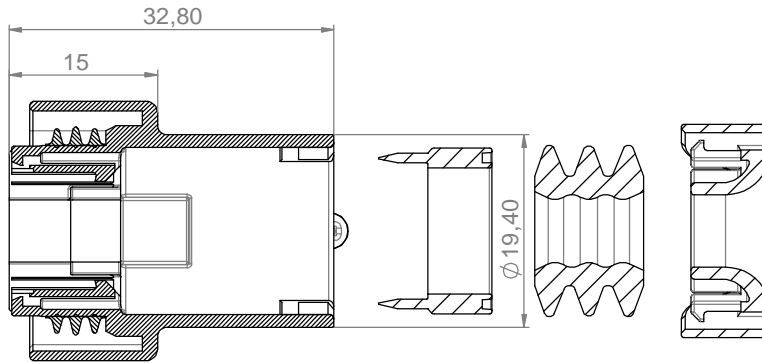
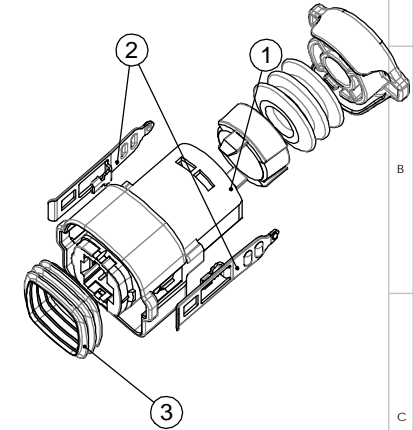
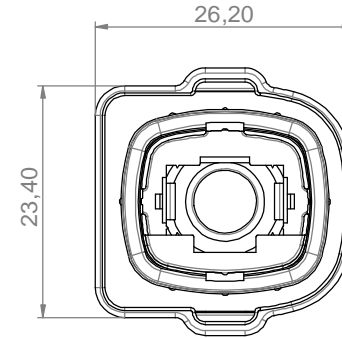
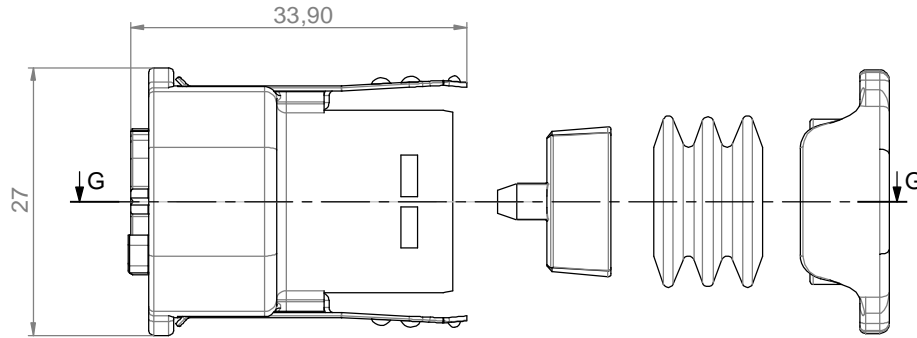
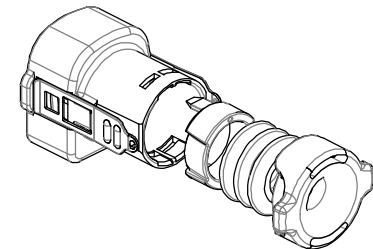
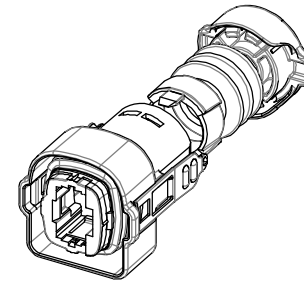


THE INFORMATION CONTAINED IN THIS DRAWING IS THE SOLE PROPERTY OF YAMAICHI ELECTRONICS DEUTSCHLAND GmbH. ANY REPRODUCTION IN PART OR WHOLE WITHOUT THE WRITTEN PERMISSION OF YAMAICHI ELECTRONICS DEUTSCHLAND GmbH IS PROHIBITED.

CONFIDENTIAL



SECTION G-G



ITEM NO.	QTY.	DESCRIPTION	Material
1	1	Griffschale RJ45plus	Valox
2	2	Metal latch for Y-ConCover-xx new design	Stainless Steel (SUS304 or equivalent)
3	1	Radial Gasket Radialdichtung	FKM (Viton)

Order / Article No. 82-00280

Specification/Drawing subject to alteration without prior notice

KUNDENFREIGABE / CUSTOMER APPROVAL

Firma / Company :

Unterschrift / Signature : _____ Datum / Date : _____

RoHS compliant acc. to directive 2002/95/EG

Unless otherwise specified :
Dimensions are in millimeters

REV.	REVISION DESCRIPTION	INITIALS	REV. DATE
△ E	Metal latches changed	MOB	20.07.2009
△ D	thicken of hoop guard	TS	24.05.2006
△ C	Dim changed	HE	09.03.2005
△ A		HE	03.08.2004



Order / Article No. 82-00280

DO NOT SCALE DRAWING

CLASSIFICATION: IP67 cover - mounted blue for Y-ConPlug-xx

NOTES:

ANGLE PROJECTION:	DESIGN	NAME	DATE
① FIRST	BH	BH	23.05.2003
	DRAWN	MOB	20.07.2009
	CHECKED	SV	28.07.2009

TITLE: Y-CONCOVER-10

DWG NO.:

Customer-P(090)A44

REVISION:

E

WEIGHT:

SCALE: 2:1

SHEET 1 OF 1

A3 - ASSEMBLY

10.11.2011

X-ON Electronics

Largest Supplier of Electrical and Electronic Components

Click to view similar products for [Modular Connectors / Ethernet Connectors](#) category:

Click to view products by [Yamaichi](#) manufacturer:

Other Similar products are found below :

[8949-H88/06BLKA/SN](#) [74441-0010/BKN](#) [MP1010RX-1000](#) [MP44RX-1000](#) [PHJ-4P4C-1-V-4](#) [PHP-6P6C-5](#) [GAX-3-66](#) [GAX-8-62](#) [GDCX-PA-66-50](#) [GDCX-PN-64](#) [GDCX-PN-66](#) [GDCX-PN-66-50](#) [GDLX-A-66](#) [GDLX-N-66](#) [GDLX-S-66](#) [GDLX-S-88K](#) [GDLX-SMT-S-88](#) [GDTX-S-88-50](#) [GDX-PA-1010](#) [GLX-N-1010M-BLK](#) [GLX-S-88M-BLK](#) [GMX-N-1010](#) [GMX-S-1010](#) [GMX-S-66](#) [GMX-SMT4-N-88](#) [GPX-2-64](#) [GSGX-N-2-88](#) [GSGX-N-4-88](#) [GSX-NS2-88-3.05](#) [GSX-NS2-88-3.05-50](#) [GSX-NS-88-3.05-50](#) [PT-108A-8C-UL](#) [PT-J951-8C](#) [PTS-J531-8CS-50UL](#) [1-1775629-2](#) [A-2014-0-4](#) [GWLX-S-88-GR](#) [GWLX-S9-88-YG](#) [DC-1021-8-WH-6](#) [1300530003](#) [1324640-4](#) [RJ11FTVC2G](#) [RJ11FTVC2N](#) [RJFTVX2SA1G](#) [132764-001](#) [1413235](#) [MP88X-1000](#) [MPS88RX-5000](#) [E5288-S000K3-L](#) [E5908-15A242-L](#)