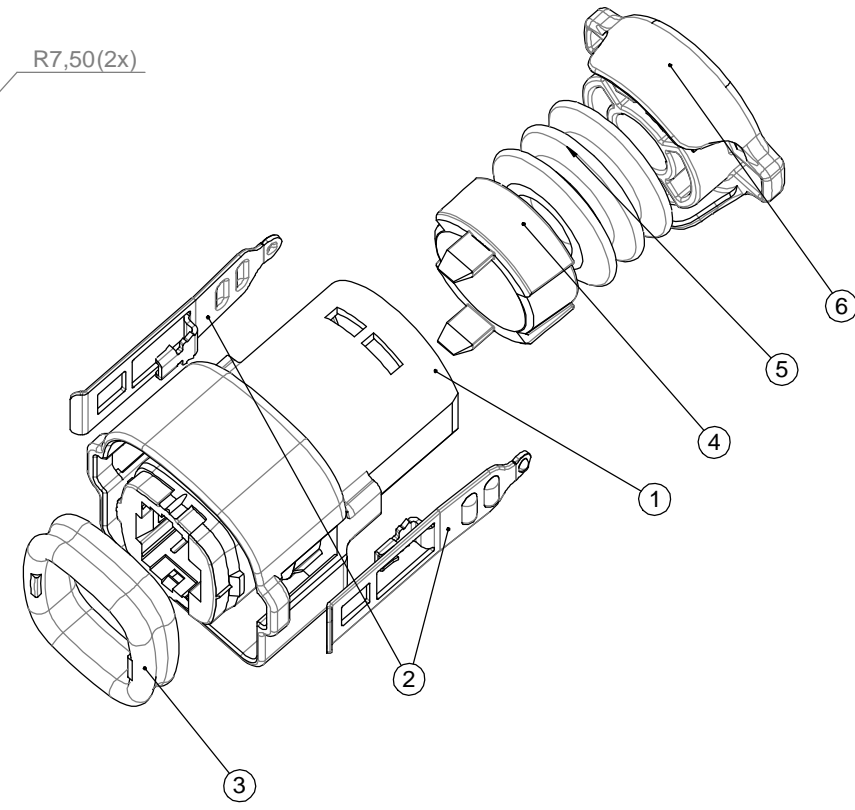
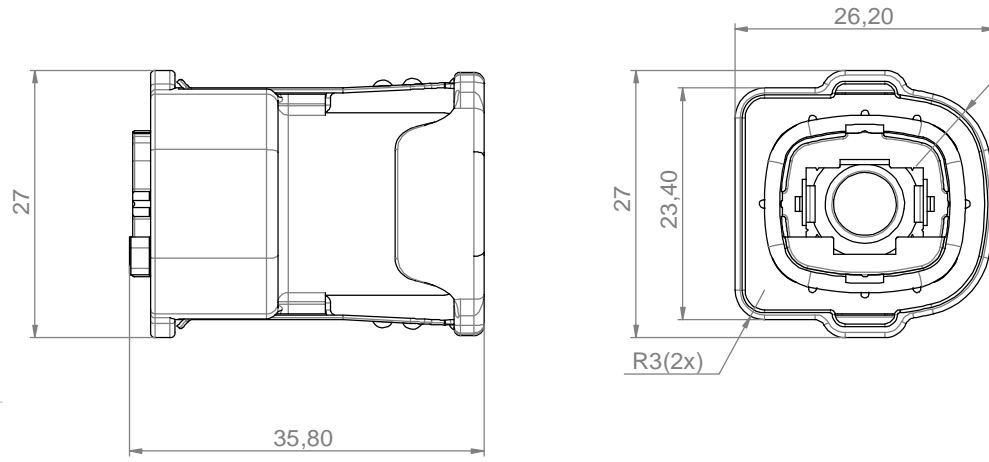


THE INFORMATION CONTAINED IN THIS DRAWING IS THE SOLE PROPERTY OF YAMAICHI ELECTRONICS DEUTSCHLAND GmbH. ANY REPRODUCTION IN PART OR WHOLE WITHOUT THE WRITTEN PERMISSION OF YAMAICHI ELECTRONICS DEUTSCHLAND GmbH IS PROHIBITED.

CONFIDENTIAL



ITEM NO.	PART NUMBER	QTY.	DESCRIPTION	PART NAME
1	P(090)P01	1	Griffschale RJ45plus	TP1010GH-IP67-BLACK
2	P(090)P835	2	Metal latch for Y-ConCover-xx new design	Y-CON LATCH-2
3	P(090)P333	1	Radialdichtung Y-Con IP67 HNBR	Y-Con SEAL-RD-2
4	P(090)P266	1	Stopper for Y-ConCover-10 / Plug	Y-ConStopper
5	P(090)P03	1	Y-ConAS-22 IP67 cable seal	Y-ConAS-22
6	P(090)P169	1	IP67 Abschlussstopfen, schwarz f. Y-ConCover-10	Y-Con AS-23-B

UNLESS OTHERWISE SPECIFIED:
 DIMENSIONS ARE IN MILLIMETERS
 TOLERANCES: ±0.3
 ALL UNDIMENSIONED EDGES
 HAVE A RADIUS OF: 0.2 mm

REV.	REVISION DESCRIPTION	INITIALS	REV. DATE

Order / Article No. 82-00474

MOB 20.07.2009

DO NOT SCALE DRAWING CLASSIFICATION: IP67 cover blue mounted, HNBR

DESIGN	NAME	DATE	TITLE
JN	JN	19.06.2008	Y-ConCover-10-LT
DRAWN	MOB	20.07.2009	
CHECKED	SV	04.08.2009	

ANGLE PROJECTION: First

DWG NO.: Customer-P(090)A487 REVISION: A

SCALE: 2:1 SHEET 1 OF 1 A3 - ASSEMBLY



X-ON Electronics

Largest Supplier of Electrical and Electronic Components

Click to view similar products for [Modular Connectors / Ethernet Connectors](#) category:

Click to view products by [Yamaichi](#) manufacturer:

Other Similar products are found below :

[8949-H88/06BLKA/SN](#) [74441-0010/BKN](#) [MP1010RX-1000](#) [MP44RX-1000](#) [PHJ-4P4C-1-V-4](#) [PHP-6P6C-5](#) [GAX-3-66](#) [GAX-8-62](#) [GDCX-PA-66-50](#) [GDCX-PN-64](#) [GDCX-PN-66](#) [GDCX-PN-66-50](#) [GDLX-A-66](#) [GDLX-N-66](#) [GDLX-S-66](#) [GDLX-S-88K](#) [GDLX-SMT-S-88](#) [GDTX-S-88-50](#) [GDX-PA-1010](#) [GLX-N-1010M-BLK](#) [GLX-S-88M-BLK](#) [GMX-N-1010](#) [GMX-S-1010](#) [GMX-S-66](#) [GMX-SMT4-N-88](#) [GPX-2-64](#) [GSGX-N-2-88](#) [GSGX-N-4-88](#) [GSX-NS2-88-3.05](#) [GSX-NS2-88-3.05-50](#) [GSX-NS-88-3.05-50](#) [PT-108A-8C-UL](#) [PT-J951-8C](#) [PTS-J531-8CS-50UL](#) [1-1775629-2](#) [A-2014-0-4](#) [GWLX-S-88-GR](#) [GWLX-S9-88-YG](#) [DC-1021-8-WH-6](#) [1300530003](#) [1324640-4](#) [RJ11FTVC2G](#) [RJ11FTVC2N](#) [RJFTVX2SA1G](#) [132764-001](#) [1413235](#) [MP88X-1000](#) [MPS88RX-5000](#) [E5288-S000K3-L](#) [E5908-15A242-L](#)