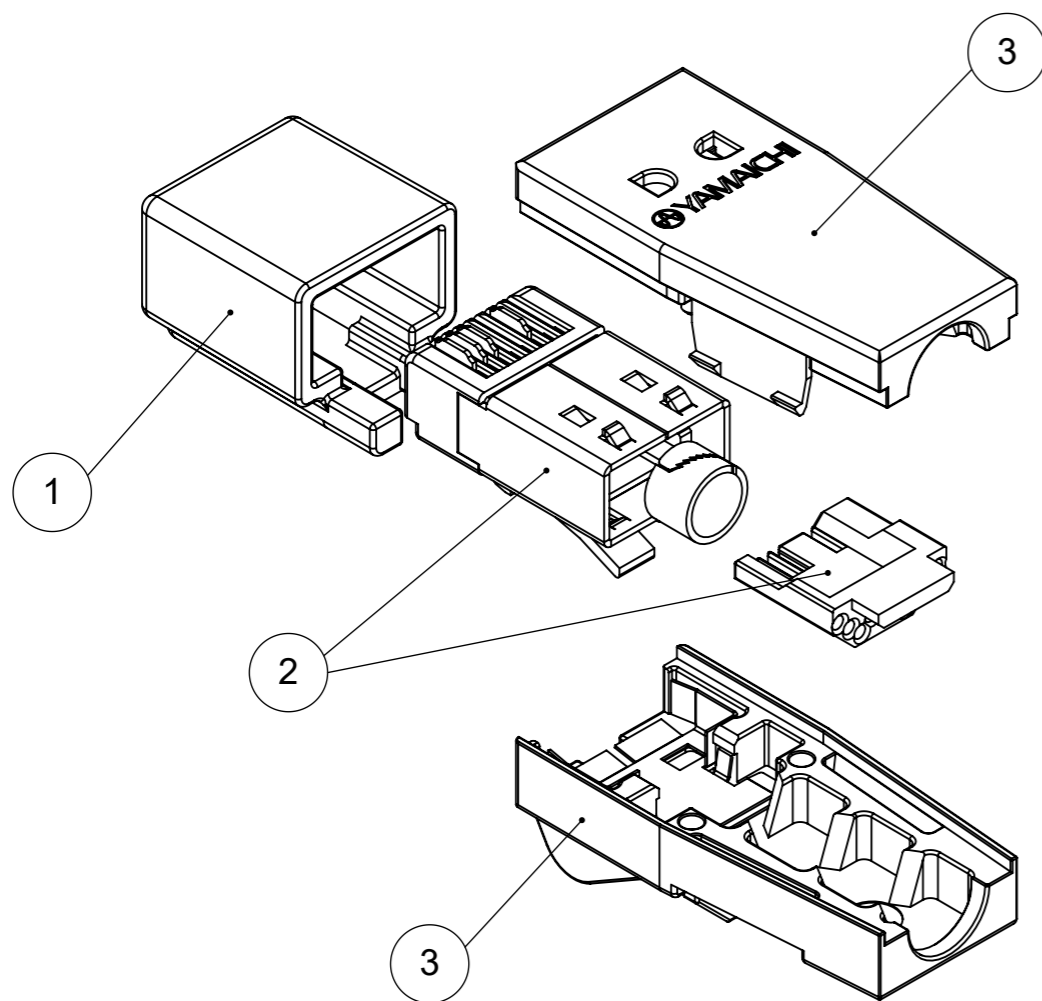
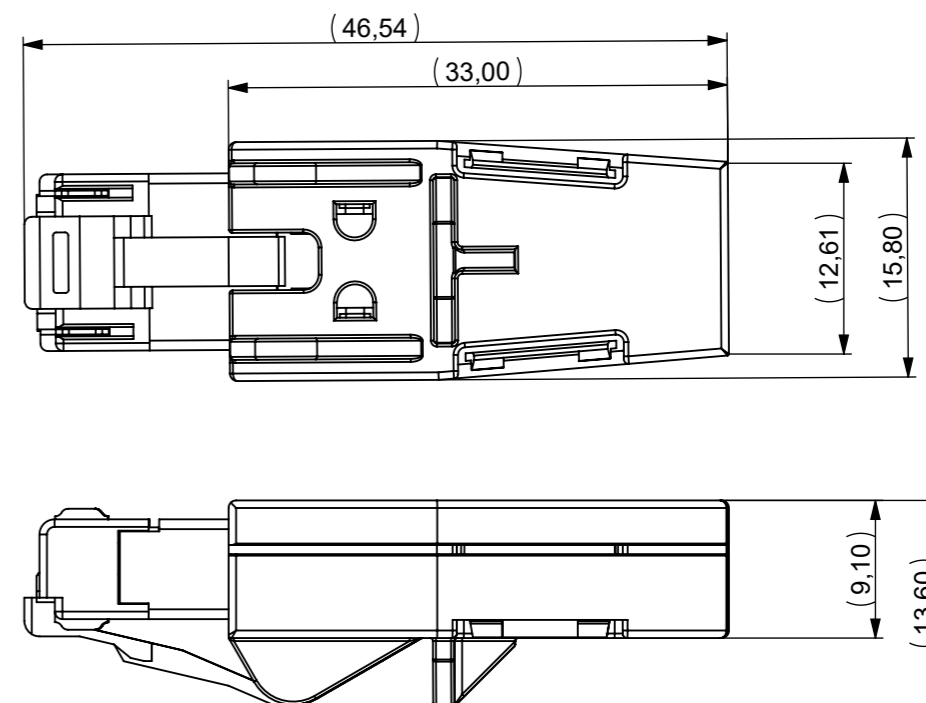


THE INFORMATION CONTAINED IN THIS DRAWING IS THE SOLE PROPERTY OF YAMAICHI ELECTRONICS DEUTSCHLAND GmbH. ANY REPRODUCTION IN PART OR WHOLE WITHOUT THE WRITTEN PERMISSION OF YAMAICHI ELECTRONICS DEUTSCHLAND GmbH IS PROHIBITED.

CONFIDENTIAL



Dimensions of assembled Kit (w/o cable and Y-CONAS-12)



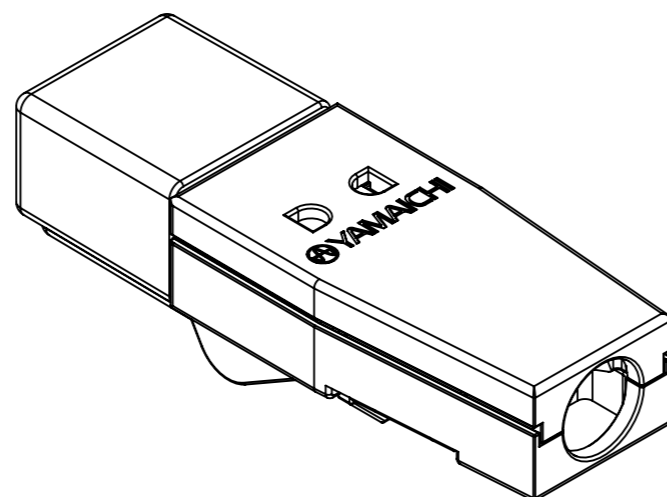
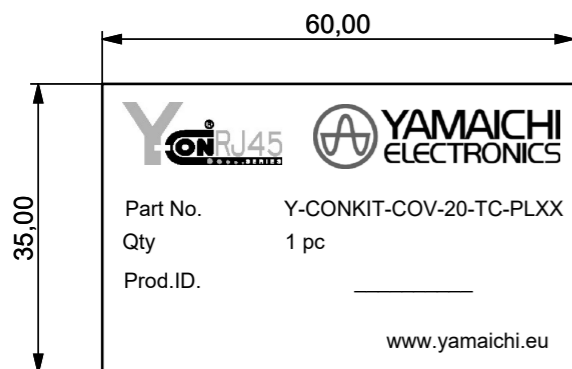
BOM / Stücklistentabelle

| ITEM | QTY. | BIOS | ZEICH.Nr. |
|------|------|----------------|--------------------|
| 1 | 1 | 82-00070 | Y-ConAS-12 |
| 2 | 1 | see Variations | Y-ConPlug-xx |
| 3 | 1 | 82-00789 | Y-CONCOVER-20-TC-Y |

Table of Variationen

| TITLE | BIOS | Y-CONPLUG (2) |
|-------------------------|----------|-------------------------|
| Y-CONKIT-COV-20-TC-PL21 | 82-00868 | Y-CONPLUG-21 (82-00053) |
| Y-CONKIT-COV-20-TC-PL51 | 82-00869 | Y-CONPLUG-51 (82-00410) |
| Y-CONKIT-COV-20-TC-PL11 | 82-00870 | Y-CONPLUG-11 (82-00096) |

Label :



Yamaichi acts with all markings of the product exclusively on behalf of the customer as service provider and not as distributor. Yamaichi is not aware of the customer's end use/application. The customer indemnifies Yamaichi from any liability towards third parties in connection with the marking - with the exception of the legal exclusions of liability according to § 309 No. 7 BGB.

Specification/Drawing subject to alteration without prior notice

RoHS compliant acc. to directive 2011/65/EU

| | | | | | |
|---|----------------------------|----------------------|----------------------|---|---------------|
| Unless otherwise specified : Dimensions are in millimeters TOLERANCES | | REV. | REVISION DESCRIPTION | INITIALS | REV. DATE |
| | | △ | | | |
| | | △ | | | |
| | | △ | | | |
| | | △ | | | |
| | | △ | | | |
| Order / Article No. see table | | DO NOT SCALE DRAWING | | CLASSIFICATION: IP20 EMI RJ45 field kit | |
| NOTES: A3 | ANGLE PROJECTION: FIRST | NAME | DATE | TITLE: Y-CONKIT-COV-20-TC-PLXX | |
| | | CREATED M189 | 16.12.2019 | DWG NO.: Customer-P(090)A03 | |
| | | MODIFIED M189 | 17.12.2019 | REVISION: 001 | |
| | | RELEASED M161 | 17.12.2019 | SCALE: 2:1 | |
| WEIGHT: | | SUBREV01 | | SHEET 1 OF 1 | A3 - ASSEMBLY |



X-ON Electronics

Largest Supplier of Electrical and Electronic Components

Click to view similar products for [Modular Connectors](#) / [Ethernet Connectors](#) category:

Click to view products by [Yamaichi](#) manufacturer:

Other Similar products are found below :

[8949-H88/06BLKA/SN](#) [74441-0010/BKN](#) [PHP-6P6C-5](#) [GAX-3-66](#) [GAX-8-62](#) [GDCX-PN-66](#) [GLX-A-44](#) [GLX-N-1010M-BLK](#) [GMX-SMT4-N-88](#) [GSGX-N-2-88](#) [GSGX-N-4-88](#) [GSX-NS2-88-3.05](#) [GSX-NS-88-3.68](#) [PT-108A-8C-UL](#) [PTS-J531-8CS-50UL](#) [A-2014-0-4](#) [GWLX-S9-88-YG](#) [DC-1021-8-WH-6](#) [1300530003](#) [1324640-4](#) [RJ11FTVC2G](#) [RJ11FTVC2N](#) [RJFTVX2SA1G](#) [132764-001](#) [1413235](#) [MPS88RX-5000](#) [E5288-S000K3-L](#) [155302-001](#) [AX101050](#) [AX101063](#) [AX101065](#) [AX101072](#) [AX101307](#) [AX101315](#) [AX101318](#) [AX102271](#) [AX102288](#) [AX102651](#) [AX102660](#) [AX104024](#) [J0012D21NL](#) [J0026D01ENL](#) [PC4D0018P](#) [8949-B88/6](#) [2-6609208-5](#) [937-SP-3088-2PC-A192](#) [303066VFL](#) [303068V](#) [303088LFLSA](#) [303088SBL](#)