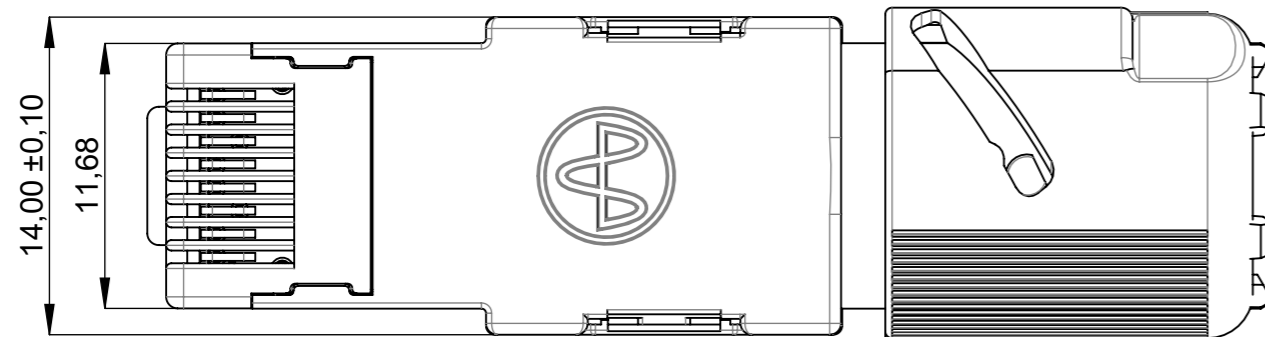
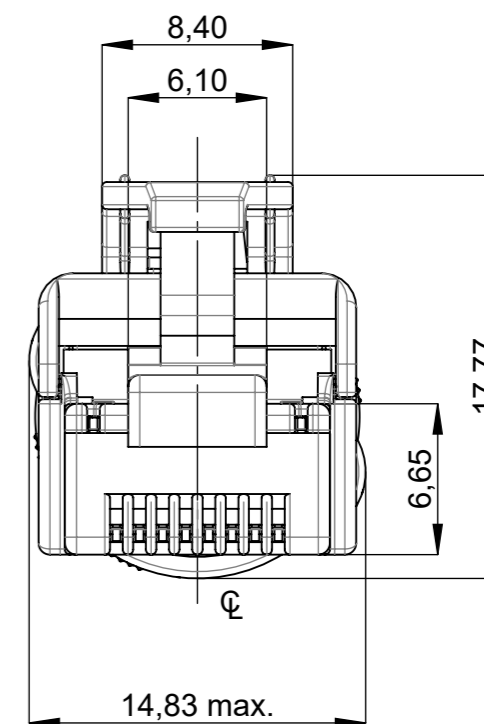
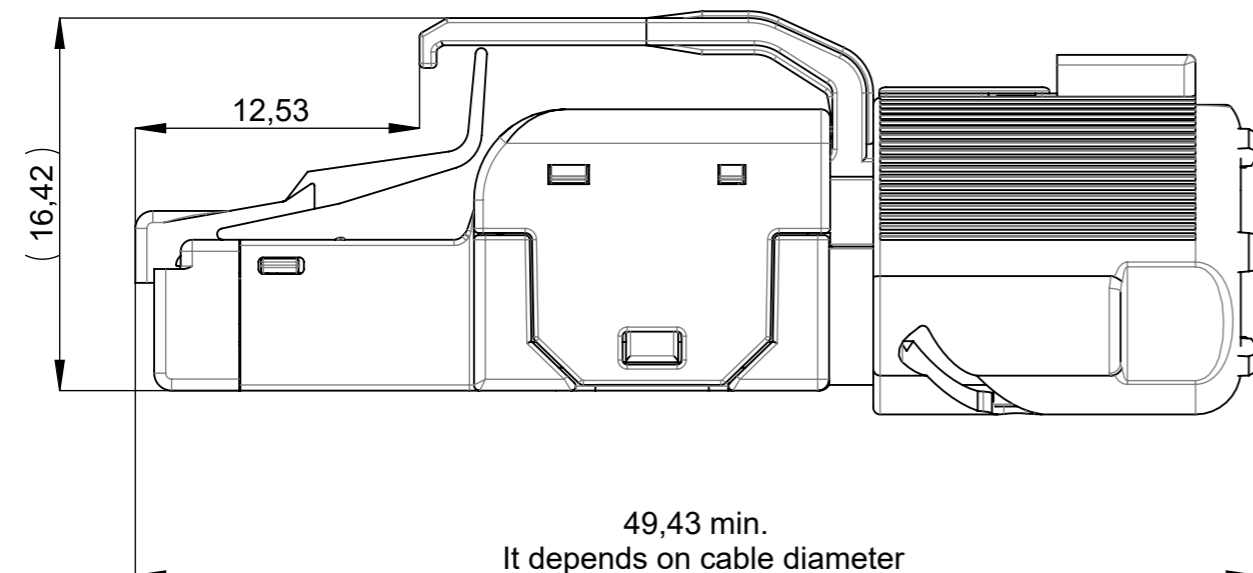
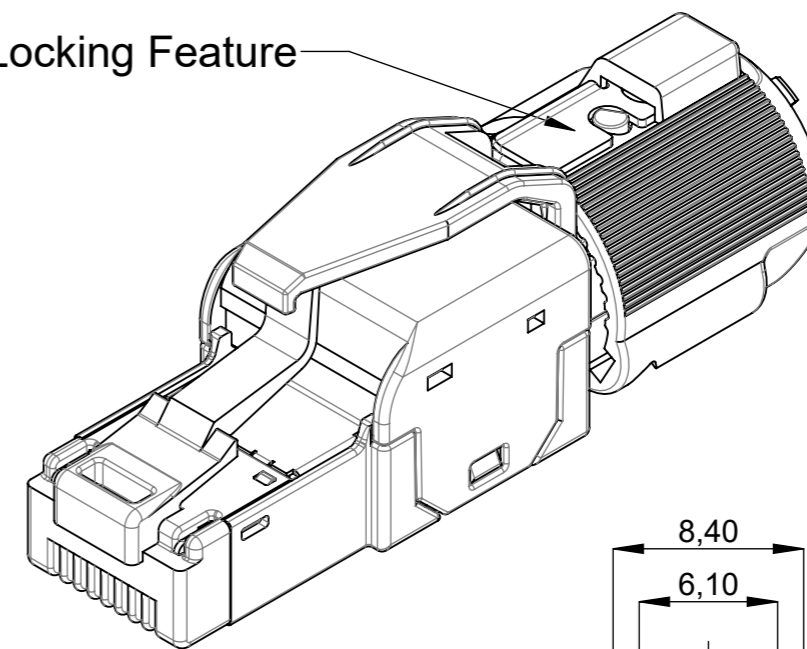


THE INFORMATION CONTAINED IN THIS DRAWING IS THE SOLE PROPERTY OF YAMAICHI ELECTRONICS DEUTSCHLAND GmbH. ANY REPRODUCTION IN PART OR WHOLE WITHOUT THE WRITTEN PERMISSION OF YAMAICHI ELECTRONICS DEUTSCHLAND GmbH IS PROHIBITED.

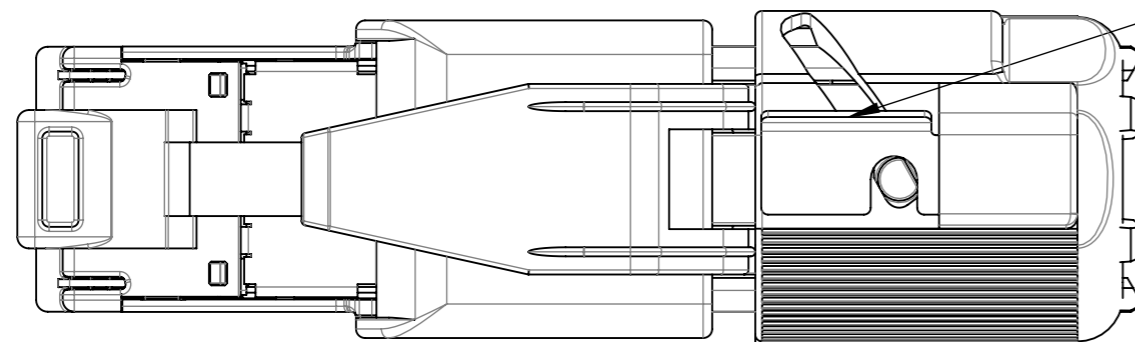
CONFIDENTIAL



Locking Feature




Locking/Unlocking by Screw Driver



Yamaichi acts with all markings of the product exclusively on behalf of the customer as service provider and not as distributor. Yamaichi is not aware of the customer's end use/application. The customer indemnifies Yamaichi from any liability towards third parties in connection with the marking - with the exception of the legal exclusions of liability according to § 309 No. 7 BGB.

Specification/Drawing subject to alteration without prior notice

RoHS compliant acc. to directive 2011/65/EU

Unless otherwise specified : Dimensions are in millimeters		REV. 014	REVISION DESCRIPTION	INITIALS	REV. DATE	
TOLERANCES ISO 2768-1 m (mittel)		▲	Note Updated	RIA	17.08.2018	
		▲	Note Updated	RIA	17.08.2018	
		▲	Adjusted Spring	RIA	21.12.2017	
		▲	DQ added	RIA	05.12.2017	
Order / Article No.		DO NOT SCALE DRAWING			CLASSIFICATION: Y-Con Profix Plug, 180°, 8(8) +2	
NOTES: A3	ANGLE PROJECTION: FIRST	NAME	DATE	TITLE: Y-ConProfixPlug-xx		
		CREATED	MOB 22.08.2013	DWG NO.: Customer-P1643A41		
		MODIFIED	T070 28.01.2021	REVISION: 014		
		RELEASED	M189 28.01.2021			
WEIGHT:		SUBREV	02 T070 03.02.2021	SCALE: 3:1	SHEET 1 OF 6	A3 - ASSEMBLY

THE INFORMATION CONTAINED IN THIS DRAWING IS THE SOLE PROPERTY OF YAMAICHI ELECTRONICS DEUTSCHLAND GmbH. ANY REPRODUCTION IN PART OR WHOLE WITHOUT THE WRITTEN PERMISSION OF YAMAICHI ELECTRONICS DEUTSCHLAND GmbH IS PROHIBITED.

CONFIDENTIAL

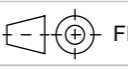
SPECIFICATION

MATERIAL/FINISH		
INSULATOR	Material	Therm oplastic polymer
DIE CAST	Material	Zinc Alloy
	Plating	8-12µm Cu; 4-8µm Ni
SHIELD	Material	Copper alloy
	Plating	min 1,27µm (50µ") Ni
	Thickness	0.30mm
Signal and Power CONTACTS	Material	High performance copper alloy
	Plating	Min 30µ" Au over min 50µ" Ni contact area Min.80µ"Sn over min. 50µ"Ni solder area
	Thickness	0.35mm
IDC CONTACTS	Material	High performance copper alloy
	Plating	2,0µm (80µ") Sn over min 1,27µm (50µ") Ni
	Thickness	0.40mm
SPECIFICATION		
MATING CYCLES for IDCs	10 cycles	
MATING CYCLES for Plug	1500 cycles	
INSULATION RESISTANCE	>500 Mohm min	
CONTACT RESISTANCE	10 mohm max	
DIELECTRIC WITHSTANDING VOLTAGE	1000V AC rms / minute	
OPERATION TEMPERATURE	-40°C to +120°C	
OPERATING VOLTAGE	250V AC rms	
CURRENT RATING	3.1A @ 70° for power 1,5 Amps max. @ 25°C for signal	
REFLOW SOLDERABILITY	According to RoHS temperature: 220°C/60sec, 260°C peak	
TOTAL INSERTION FORCE	<5N without power; tbd with power	
TOTAL WITHDRAWAL FORCE	<5N without power; tbd with power	
IP RATE	IP 20	
Cable Diameter Range	6.80 – 9.50 mm	
Wire Range	AW G 22 -26 for Solid and Stranded wires	

Yamaichi acts with all markings of the product exclusively on behalf of the customer as service provider and not as distributor. Yamaichi is not aware of the customer's end use/application. The customer indemnifies Yamaichi from any liability towards third parties in connection with the marking - with the exception of the legal exclusions of liability according to § 309 No. 7 BGB.

Specification/Drawing subject to alteration without prior notice

RoHS compliant acc. to directive 2011/65/EU

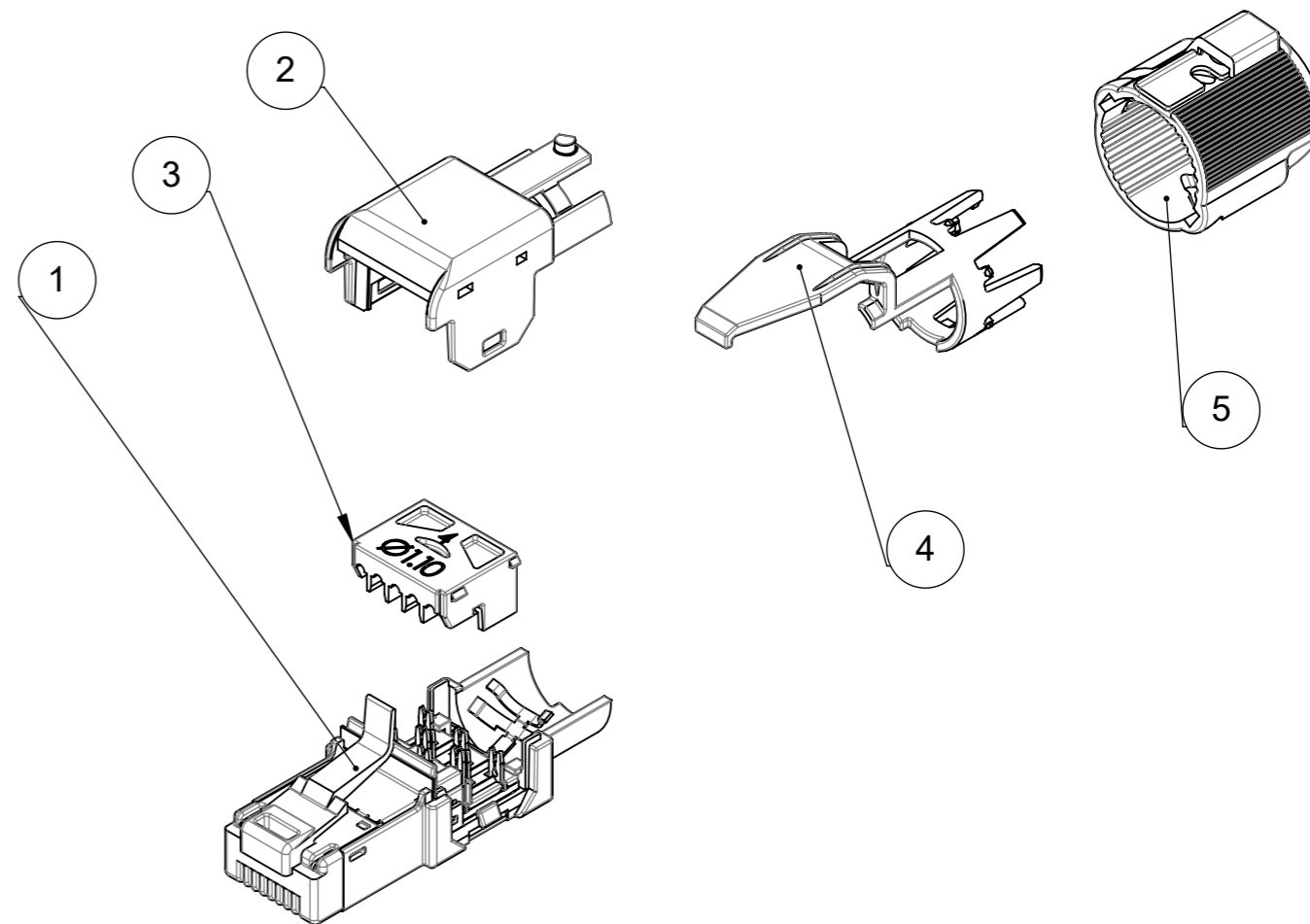
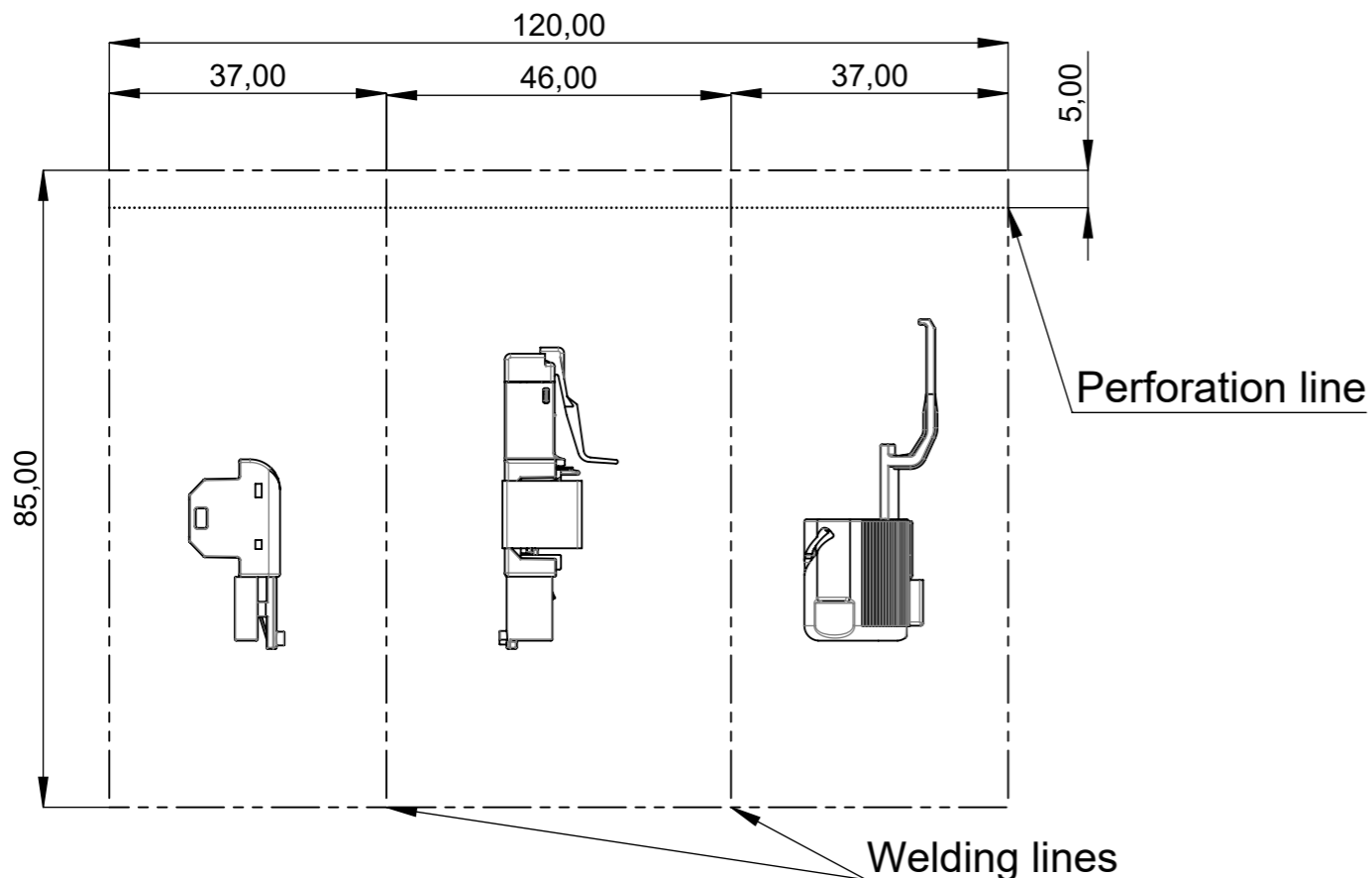
Unless otherwise specified : Dimensions are in millimeters		REV.	REVISION DESCRIPTION	INITIALS	REV. DATE
TOLERANCES ISO 2768-1 m (mittel)		014	Label changed	T070	27.01.2021
		△	Note Updated	RIA	17.08.2018
		△	Note Updated	RIA	17.08.2018
		△	Adjusted Spring	RIA	21.12.2017
		△	DQ added	RIA	05.12.2017
Order / Article No.		DO NOT SCALE DRAWING		CLASSIFICATION:	
NOTES: A3		NAME	DATE	Y-Con Profix Plug,180°,8(8) +2	
ANGLE PROJECTION:  FIRST		CREATED	MOB 22.08.2013	TITLE: Y-ConProfixPlug-xx	
		MODIFIED	T070 28.01.2021	DWG NO.:	
		RELEASED	M189 28.01.2021	Customer-P1643A41	
WEIGHT:		SUBREV	02 T070 03.02.2021	SCALE: 2:1	REVISION: 014
				SHEET 2 OF 6	A3 - ASSEMBLY



THE INFORMATION CONTAINED IN THIS DRAWING IS THE SOLE PROPERTY OF YAMAICHI ELECTRONICS DEUTSCHLAND GmbH. ANY REPRODUCTION IN PART OR WHOLE WITHOUT THE WRITTEN PERMISSION OF YAMAICHI ELECTRONICS DEUTSCHLAND GmbH IS PROHIBITED.

CONFIDENTIAL

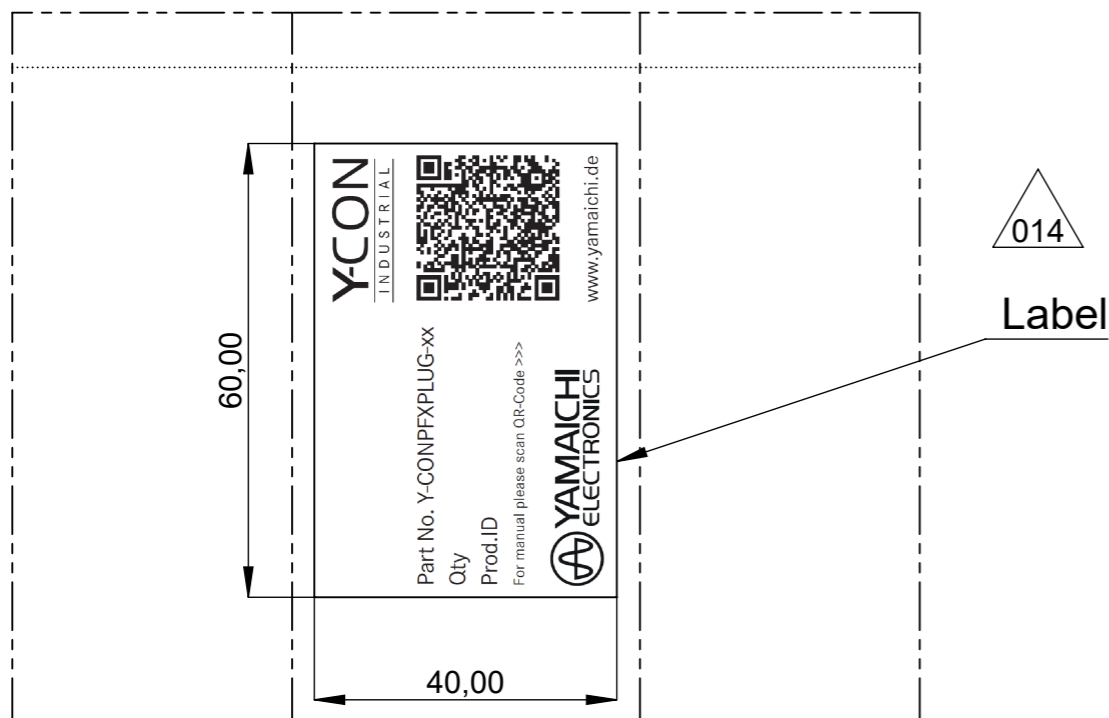
Plastic bag with 3 sections



ITEM NO.	DESCRIPTION	Article number	QTY.
1	CAT6 PR-P-BASE-ASSEMBLY		1
2	CAT6PR-P-DIE-CAST-COVER		1
* 3	CAT6PR-P/S-WIRE-MANAGER-11	82-00732	1
4	CAT6PR-P-ST-REL-COVER		1
5	CAT6 PR-P-SR CAP-ASSEMBLY		1

* Wire manager-11: wire insulation diameter <1.10 mm

Optional wire manager-17 (82-00733) is available for wire insulation diameter > 1.10 mm to 1.70mm.



Yamaichi acts with all markings of the product exclusively on behalf of the customer as service provider and not as distributor. Yamaichi is not aware of the customer's end use/application. The customer indemnifies Yamaichi from any liability towards third parties in connection with the marking - with the exception of the legal exclusions of liability according to § 309 No. 7 BGB.

Specification/Drawing subject to alteration without prior notice

RoHS compliant acc. to directive 2011/65/EU

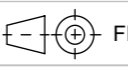
Unless otherwise specified : Dimensions are in millimeters TOLERANCES ISO 2768-1 m (mittel)	REV. 014	REVISION DESCRIPTION	INITIALS	REV. DATE	
	014	Label changed	RIA	T070 27.01.2021	
	014	Note Updated	RIA	17.08.2018	
	014	Note Updated	RIA	17.08.2018	
	014	Adjusted Spring	RIA	21.12.2017	
	014	DQ added	RIA	05.12.2017	
Order / Article No.		DO NOT SCALE DRAWING			CLASSIFICATION:
NOTES:		NAME	DATE	Y-Con Profix Plug, 180°, 8(8) +2	
A3	ANGLE PROJECTION:	CREATED	MOB 22.08.2013	TITLE: Y-ConProfixPlug-xx	
	FIRST	MODIFIED	T070 28.01.2021	DWG NO.: Customer-P1643A41	
		RELEASED	M189 28.01.2021	REVISION: 014	
WEIGHT:		SUBREV	02 T070 03.02.2021	SCALE: 2:1	SHEET 3 OF 6 A3 - ASSEMBLY

THE INFORMATION CONTAINED IN THIS DRAWING IS THE SOLE PROPERTY OF YAMAICHI ELECTRONICS DEUTSCHLAND GmbH. ANY REPRODUCTION IN PART OR WHOLE WITHOUT THE WRITTEN PERMISSION OF YAMAICHI ELECTRONICS DEUTSCHLAND GmbH IS PROHIBITED.

CONFIDENTIAL

Types of Y-ConProfifixPlug

Nomination	Order number	Power pins	Max Cable Diameter	Wire Manager	Category	Packaging
Y-ConProfifixPlug 51	82-00727	X	9.25	82-00732	CAT5	Single
Y-ConProfifixPlug 53	82-00728	---	9.25	82-00732	CAT5	Single
Y-ConProfifixPlug 61	82-00659	X	9.25	82-00732	CAT6A	Single
Y-ConProfifixPlug 63	82-00660	---	9.25	82-00732	CAT6A	Single
Y-ConProfifixPlug 61- 9.5	82-00723	X	9.50	82-00732	CAT6A	Single
Y-ConProfifixPlug 63-9.5	82-00724	---	9.50	82-00732	CAT6A	Single
Y-ConProfifixPlug 51-BULK	82-00749	X	9.25	82-00732	CAT5	Bulk
Y-ConProfifixPlug 61-BULK	82-00856	X	9.25	82-00732	CAT6A	Bulk
Y-ConProfifixPlug 63-BULK	82-00744	---	9.25	82-00732	CAT6A	Bulk
Y-ConProfifixPlug 53-KUKA	82-00730	---	9.25	82-00732	CAT5	Single
Y-ConProfifixPlug 53-2W	82-00753	---	9.25	82-00732 & 82-00733	CAT5	Single
Y-ConProfifixPlug 63-2W	82-00754	---	9.25	82-00732 & 82-00733	CAT6A	Single
Y-ConProfifixPlug 63-1.7	82-00816	---	9.25	82-00733	CAT6A	Single

Unless otherwise specified : Dimensions are in millimeters		REV.	REVISION DESCRIPTION	INITIALS	REV. DATE
TOLERANCES ISO 2768-1 m (mittel)		014	Label changed	T070	27.01.2021
		△	Note Updated	RIA	17.08.2018
		△	Note Updated	RIA	17.08.2018
		△	Adjusted Spring	RIA	21.12.2017
		△	DQ added	RIA	05.12.2017
Order / Article No.		DO NOT SCALE DRAWING		CLASSIFICATION:	
NOTES: A3		NAME DATE		Y-Con Profix Plug, 180°, 8(8) +2	
ANGLE PROJECTION:  FIRST		CREATED	MOB 22.08.2013	TITLE: Y-ConProfifixPlug-xx	
		MODIFIED	T070 28.01.2021	DWG NO.:	
		RELEASED	M189 28.01.2021	Customer-P1643A41	
		SUBREV 02 T070 03.02.2021		SCALE: 2:1	REVISION: 014
WEIGHT:				SHEET 4 OF 6	A3 - ASSEMBLY

Yamaichi acts with all markings of the product exclusively on behalf of the customer as service provider and not as distributor. Yamaichi is not aware of the customer's end use/application. The customer indemnifies Yamaichi from any liability towards third parties in connection with the marking - with the exception of the legal exclusions of liability according to § 309 No. 7 BGB.

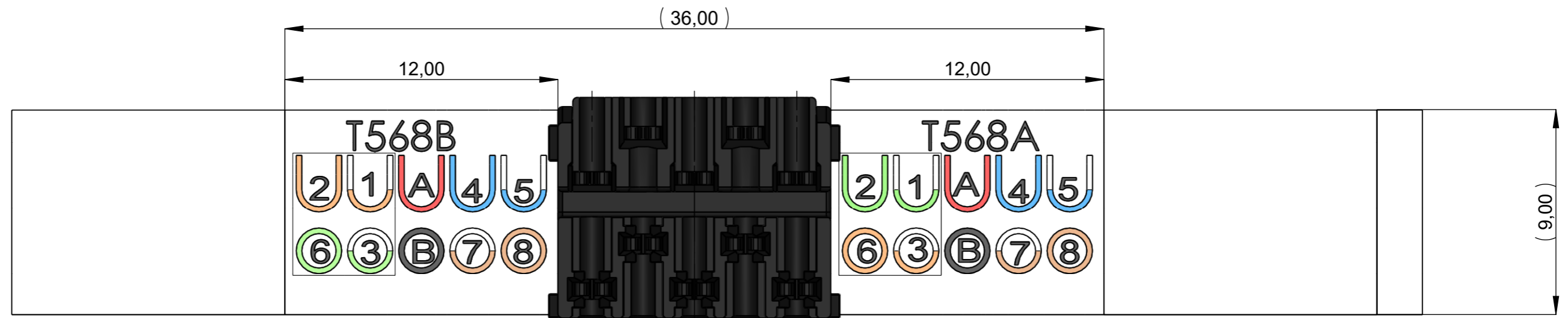
Specification/Drawing subject to alteration without prior notice

RoHS compliant acc. to directive 2011/65/EU

THE INFORMATION CONTAINED IN THIS DRAWING IS THE SOLE PROPERTY OF YAMAICHI ELECTRONICS DEUTSCHLAND GmbH. ANY REPRODUCTION IN PART OR WHOLE WITHOUT THE WRITTEN PERMISSION OF YAMAICHI ELECTRONICS DEUTSCHLAND GmbH IS PROHIBITED.

CONFIDENTIAL

CAT6 WIRING CHART
(According to EIA/TIA568A and EIA/TIA568B)



Yamaichi acts with all markings of the product exclusively on behalf of the customer as service provider and not as distributor. Yamaichi is not aware of the customer's end use/application. The customer indemnifies Yamaichi from any liability towards third parties in connection with the marking - with the exception of the legal exclusions of liability according to § 309 No. 7 BGB.

Specification/Drawing subject to alteration without prior notice

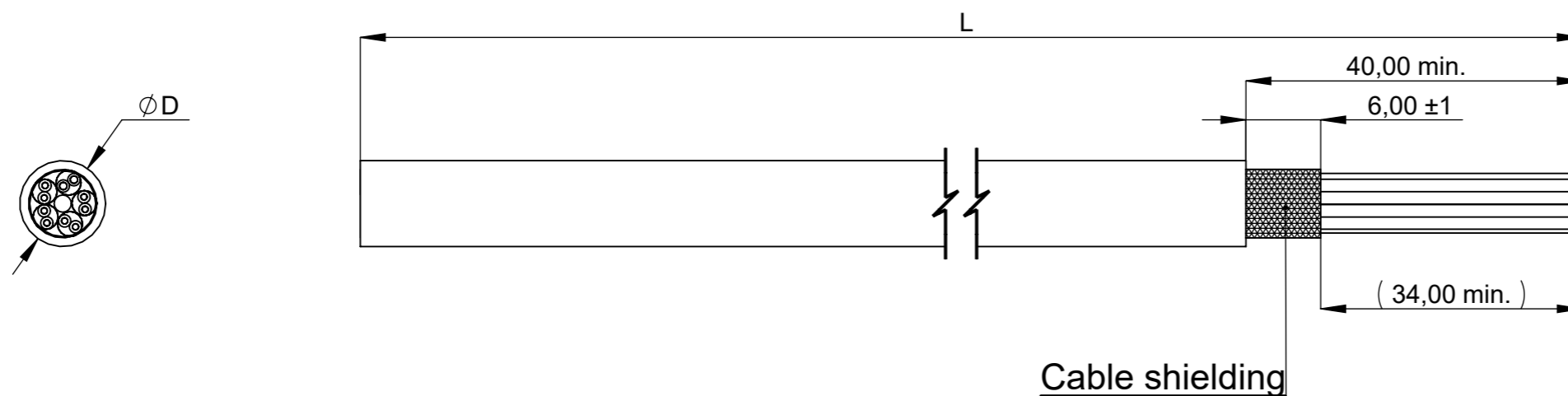
RoHS compliant acc. to directive 2011/65/EU

Unless otherwise specified : Dimensions are in millimeters		REV. 014	REVISION DESCRIPTION	INITIALS	REV. DATE	
TOLERANCES ISO 2768-1 m (mittel)		Label changed		RIA	27.01.2021	
		Note Updated		RIA	17.08.2018	
		Note Updated		RIA	17.08.2018	
		Adjusted Spring		RIA	21.12.2017	
		DQ added		RIA	05.12.2017	
Order / Article No.		DO NOT SCALE DRAWING			CLASSIFICATION: Y-Con Profix Plug,180°,8(8) +2	
NOTES: A3	ANGLE PROJECTION:	CREATED	NAME	DATE	TITLE: Y-ConProfixPlug-xx	
		MODIFIED	T070	28.01.2021	DWG NO.: Customer-P1643A41	
		RELEASED	M189	28.01.2021	REVISION: 014	
WEIGHT:		SUBREV	02 T070	03.02.2021	SCALE: 4:1	SHEET 5 OF 6 A3 - ASSEMBLY

THE INFORMATION CONTAINED IN THIS DRAWING IS THE SOLE PROPERTY OF YAMAICHI ELECTRONICS DEUTSCHLAND GmbH. ANY REPRODUCTION IN PART OR WHOLE WITHOUT THE WRITTEN PERMISSION OF YAMAICHI ELECTRONICS DEUTSCHLAND GmbH IS PROHIBITED.

CONFIDENTIAL

Recommended Cable Stripping



NOTE:

- This is a recommended stripping length for plug assembly.
- After wire insertion, the wires should be cut as short as possible to achieve the best electrical performance and easiest plug assembly.

Unless otherwise specified : Dimensions are in millimeters		REV.	REVISION DESCRIPTION	INITIALS	REV. DATE
TOLERANCES ISO 2768-1 m (mittel)		014	Label changed	T070	27.01.2021
		△	Note Updated	RIA	17.08.2018
		△	Note Updated	RIA	17.08.2018
		△	Adjusted Spring	RIA	21.12.2017
		△	DQ added	RIA	05.12.2017
Order / Article No.		DO NOT SCALE DRAWING		CLASSIFICATION:	
NOTES: A3		NAME DATE		Y-Con Profix Plug, 180°, 8(8) +2	
		ANGLE PROJECTION:	CREATED	MOB	22.08.2013
		FIRST	MODIFIED	T070	28.01.2021
			RELEASED	M189	28.01.2021
WEIGHT:		SUBREV	02	T070	03.02.2021
		SCALE: 2:1		SHEET 6 OF 6	
				A3 - ASSEMBLY	
				TITLE: Y-ConProfixPlug-xx	
				DWG NO.: Customer-P1643A41	
				REVISION: 014	



Yamaichi acts with all markings of the product exclusively on behalf of the customer as service provider and not as distributor. Yamaichi is not aware of the customer's end use/application. The customer indemnifies Yamaichi from any liability towards third parties in connection with the marking - with the exception of the legal exclusions of liability according to § 309 No. 7 BGB.

Specification/Drawing subject to alteration without prior notice

RoHS compliant acc. to directive 2011/65/EU

X-ON Electronics

Largest Supplier of Electrical and Electronic Components

Click to view similar products for [Modular Connectors](#) / [Ethernet Connectors](#) category:

Click to view products by [Yamaichi](#) manufacturer:

Other Similar products are found below :

[8949-H88/06BLKA/SN](#) [74441-0010/BKN](#) [PHP-6P6C-5](#) [GAX-3-66](#) [GAX-8-62](#) [GDCX-PN-66](#) [GLX-A-44](#) [GLX-N-1010M-BLK](#) [GMX-SMT4-N-88](#) [GSGX-N-2-88](#) [GSGX-N-4-88](#) [GSX-NS2-88-3.05](#) [GSX-NS-88-3.68](#) [PT-108A-8C-UL](#) [PTS-J531-8CS-50UL](#) [A-2014-0-4](#)
[GWLX-S9-88-YG](#) [DC-1021-8-WH-6](#) [1300530003](#) [1324640-4](#) [RJ11FTVC2G](#) [RJ11FTVC2N](#) [RJFTVX2SA1G](#) [132764-001](#) [1413235](#)
[MPS88RX-5000](#) [E5288-S000K3-L](#) [155302-001](#) [AX101050](#) [AX101063](#) [AX101065](#) [AX101072](#) [AX101307](#) [AX101315](#) [AX101318](#)
[AX102271](#) [AX102288](#) [AX102651](#) [AX102660](#) [J0012D21NL](#) [J0026D01ENL](#) [PC4D0018P](#) [8949-B88/6](#) [2-6609208-5](#) [937-SP-3088-2PC-A192](#)
[303066VFL](#) [303068V](#) [303088LFLSA](#) [303088SBL](#) [30-8603](#)