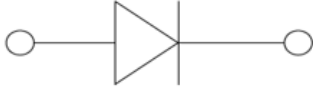


Small Singal Schottky Rectifier



SOD123

Features

- Epoxy meets UL-94 V-0 flammability rating and halogen free
- Moisture Sensitivity Level 1
- V_R 20V/30V/40V
- I_{FAV} 1A
- Part no. with suffix "Q" means AEC-Q101 qualified

Applications

- Use as rectifiers in low-voltage,high-frequency inverters

Mechanical Data

- **Case:** SOD123
- **Terminals:** Tin plated leads, solderable per J-STD-002 and JESD22-B102
- **Polarity:** Cathode line denotes the cathode end
- **Marking:**

	Marking
B5817WQ	SJ
B5818WQ	SK
B5819WQ	SL

■ Maximum Ratings (Ta=25°C Unless otherwise specified)

PARAMETER	SYMBOL	UNIT	CONDITIONS	VALUE	
Reverse Voltage	V_R	V		B5817WQ	20
				B5818WQ	30
				B5819WQ	40
Average Forward Current	I_{FAV}	A		1	
Peak Forward Surge Current	I_{FSM}	A	8.3ms, half sine	10	
Power Dissipation	P_{tot}	mW		450	
Thermal Resistance Junction to Ambient	R_{thJA}	°C/W		222	
Junction Temperature	T_j	°C		-55 to +125	
Storage Temperature Range	T_{stg}	°C		-55 to +150	



B5817WQ THRU B5819WQ

■ Electrical Characteristics (T_a=25°C Unless otherwise specified)

PARAMETER	SYMBOL	UNIT	CONDITIONS	PART	MIN	MAX
Reverse Breakdown Voltage	V _{(BR)R}	V	I _R =1mA	B5817WQ	20	-
				B5818WQ	30	-
				B5819WQ	40	-
Forward Voltage	V _F	V	I _F =1A	B5817WQ		0.45
				B5818WQ		0.55
				B5819WQ		0.60
			I _F =3A	B5817WQ		0.75
				B5818WQ		0.875
				B5819WQ		0.90
Reverse Leakage Current	I _R	uA	V _R =20V	B5817WQ		200
			V _R =30V	B5818WQ		40
			V _R =40V	B5819WQ		40
Junction Capacitance	C _j	pF	V _R =4V, f=1MHz			120

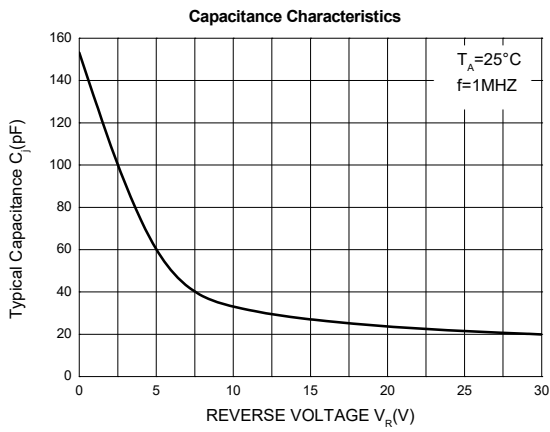
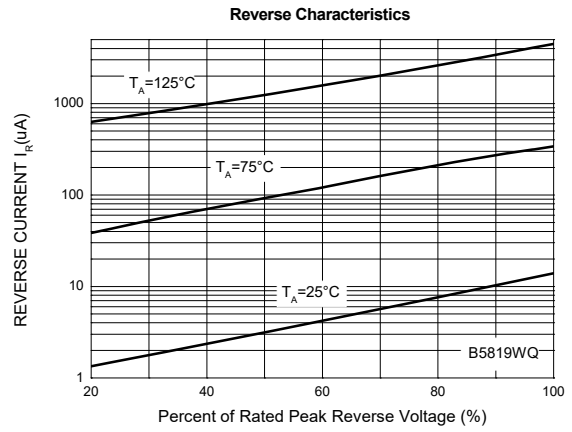
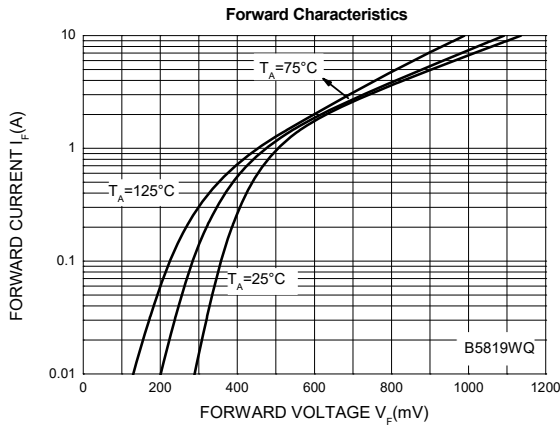
■ Ordering Information (Example)

PREFERRED P/N	PACKING CODE	UNIT WEIGHT(g)	MINIMUM PACKAGE(pcs)	INNER BOX QUANTITY(pcs)	OUTER CARTON QUANTITY(pcs)	DELIVERY MODE
B5817WQ THRU B5819WQ	F2	Approximate 0.010	3000	30000	120000	7" reel



B5817WQ THRU B5819WQ

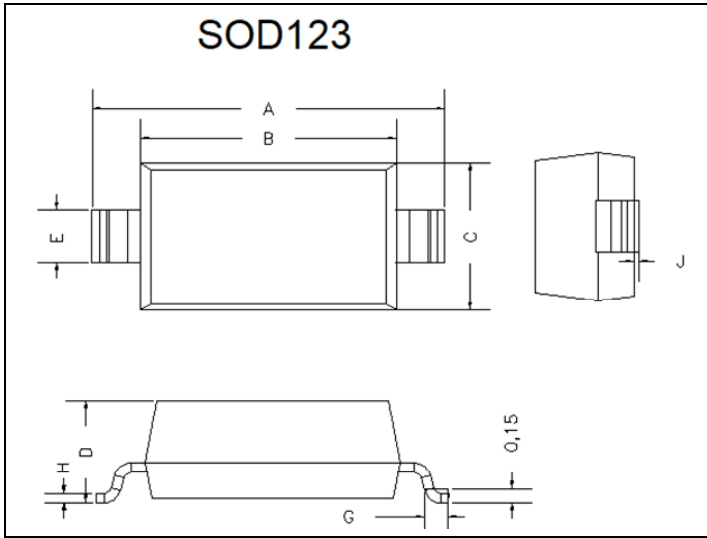
■ Characteristics(Typical)





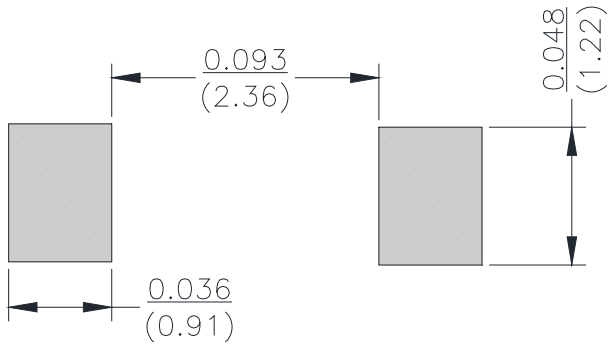
B5817WQ THRU B5819WQ

■ Outline Dimensions



DIM	INCHES		MM		NOTE
	MIN	MAX	MIN	MAX	
A	0.140	0.152	3.55	3.85	
B	0.100	0.112	2.55	2.85	
C	0.055	0.071	1.40	1.80	
D	-	0.053	-	1.35	
E	0.012	0.031	0.30	0.78	
G	0.006	-	0.15	-	
H	-	0.010	-	0.25	
J	-	0.006	-	0.15	

■ Soldering Footprint



Unit: $\frac{\text{inch}}{\text{mm}}$



B5817WQ THRU B5819WQ

Disclaimer

The information presented in this document is for reference only. Yangzhou Yangjie Electronic Technology Co., Ltd. reserves the right to make changes without notice for the specification of the products displayed herein to improve reliability, function or design or otherwise.

The product listed herein is designed to be used with automotive electronics, are not designed for use in medical, life-saving, lifesustaining, or military, Yangjie or anyone on its behalf, assumes no responsibility or liability for any damages resulting from such improper use of sale.

This publication supersedes & replaces all information previously supplied. For additional information, please visit our website [http:// www.21yangjie.com](http://www.21yangjie.com) , or consult your nearest Yangjie's sales office for further assistance.

X-ON Electronics

Largest Supplier of Electrical and Electronic Components

Click to view similar products for [Schottky Diodes & Rectifiers](#) category:

Click to view products by [Yangjie](#) manufacturer:

Other Similar products are found below :

[MA4E2039](#) [MA4E2508M-1112](#) [MBR0530L-TP](#) [MBR10100CT-BP](#) [MBR1545CT](#) [MMBD301M3T5G](#) [RB160M-50TR](#)
[BAS16E6433HTMA1](#) [BAS 3010S-02LRH E6327](#) [BAT 54-02LRH E6327](#) [IDL02G65C5XUMA1](#) [NSR05F40QNXT5G](#) [NSVR05F40NXT5G](#)
[NTE555](#) [JANS1N6640](#) [SB07-03C-TB-H](#) [SK310-T](#) [SK33A-TP](#) [SK34B-TP](#) [SS3003CH-TL-E](#) [PDS3100Q-7](#) [GA01SHT18](#)
[CRS10I30A\(TE85L,QM](#) [MA4E2501L-1290](#) [MBRB30H30CT-1G](#) [JANTX1N5712-1](#) [SB007-03C-TB-E](#) [SK33B-TP](#) [SK35A-TP](#) [SK38B-LTP](#)
[NTE505](#) [NTSB30U100CT-1G](#) [VS-6CWQ10FNHM3](#) [CRG04\(T5L,TEMQ\)](#) [ACDBA1100LR-HF](#) [ACDBA1200-HF](#) [ACDBA240-HF](#)
[ACDBA3100-HF](#) [CDBQC0530L-HF](#) [ACDBA260LR-HF](#) [ACDBA1100-HF](#) [MA4E2502L-1246](#) [10BQ015-M3/5BT](#) [10BQ060-M3/5BT](#)
[NRVB130LSFT1G](#) [CRS08TE85LQM](#) [PMAD1108-LF](#) [B120Q-13-F](#) [1N5819T-G](#) [B0530WSQ-7-F](#)