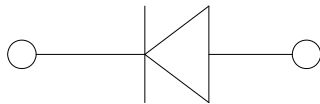
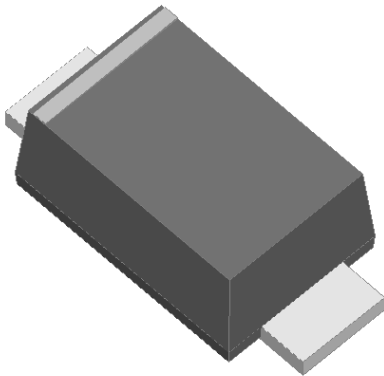


Surface Mount Super Fast Recovery Rectifier



Features

- Low profile package
- Ideal for automated placement
- Glass passivated chip junction
- Super fast switching for high efficiency
- High forward surge capability
- Meets MSL level 1, per J-STD-020, LF maximum peak of 260 °C

Typical Applications

For use in super fast switching rectification of power supply, inverters, converters, and freewheeling diodes for consumer and telecommunication.

Mechanical Date

- **Package:** SOD-123FL
Molding compound meets UL 94 V-0 flammability rating, RoHS-compliant, halogen-free
- **Terminals:** Tin plated leads, solderable per J-STD-002 and JESD22-B102
- **Polarity:** Cathode line denotes the cathode end

■Maximum Ratings (Ta=25°C Unless otherwise specified)

| PARAMETER | SYMBOL | UNIT | E1A | E1B | E1D | E1F | E1G | E1J |
|--|-----------|------|-----------|-----|-----|-----|-----|-----|
| Device marking code | | | E1A | E1B | E1D | E1F | E1G | E1J |
| Repetitive peak reverse voltage | V_{RRM} | V | 50 | 100 | 200 | 300 | 400 | 600 |
| Average rectified output current @60Hz sine wave, Resistance load, TL (FIG.1) | I_o | A | 1.0 | | | | | |
| Surge(non-repetitive)forward current @ 60Hz half-sine wave, 1 cycle, Ta=25°C | I_{FSM} | A | 30 | | | | | |
| Storage temperature | T_{stg} | °C | -55 ~+150 | | | | | |
| Junction temperature | T_j | °C | -55 ~+150 | | | | | |

■Electrical Characteristics (Ta=25°C Unless otherwise specified)

| PARAMETER | SYMBOL | UNIT | TEST CONDITIONS | E1A | E1B | E1D | E1F | E1G | E1J |
|---|-----------|---------|------------------------------------|-----|-----|-----|-----|-----|-----|
| Maximum instantaneous forward voltage drop per diode | V_F | V | $I_{FM}=1.0A$ | 1.0 | | | 1.3 | | 1.7 |
| Maximum reverse recovery time | t_{rr} | ns | $I_F=0.5A, I_R=1.0A, I_{RR}=0.25A$ | 35 | | | | | |
| Maximum DC reverse current at rated DC blocking voltage per diode | I_{RRM} | μA | Ta=25°C | 5 | | | | | |
| | | | Ta=125°C | 100 | | | | | |



E1A THRU E1J

■ Thermal Characteristics (T_a=25°C Unless otherwise specified)

| PARAMETER | SYMBOL | UNIT | E1A | E1B | E1D | E1F | E1G | E1J |
|----------------------------|-------------------|------|------------------|-----|-----|-----|-----|-----|
| Typical Thermal resistance | R _{θJ-A} | °C/W | 60 ¹⁾ | | | | | |
| | R _{θJ-L} | | 20 ¹⁾ | | | | | |

Note:
 (1) Thermal resistance between junction and ambient and between junction and lead mounted on P.C.B with 3mm*3mm copper pad areas.

■ Characteristics (Typical)

FIG1: I_o-T_L Curve

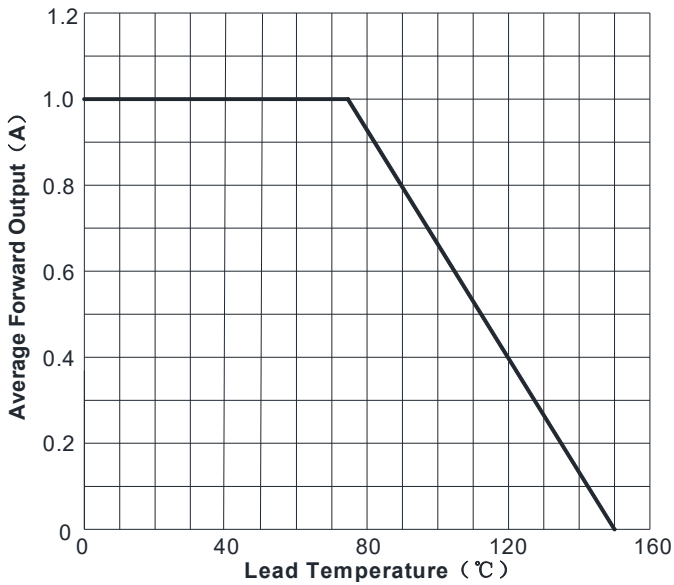


FIG2: Surge Forward Current Capability

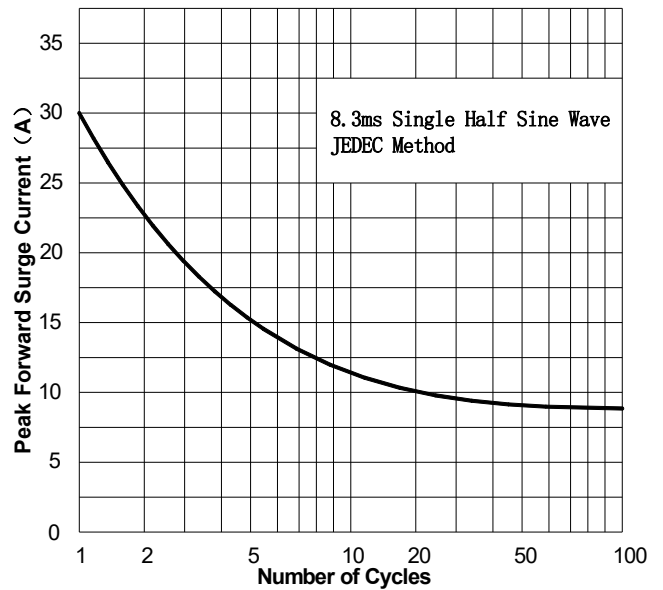


FIG3: Typical Forward Voltage

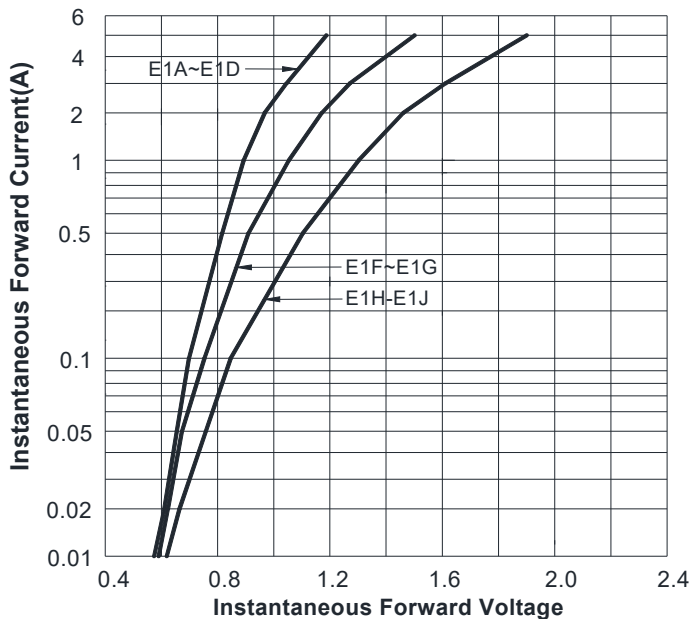


FIG4: Typical Reverse Characteristics

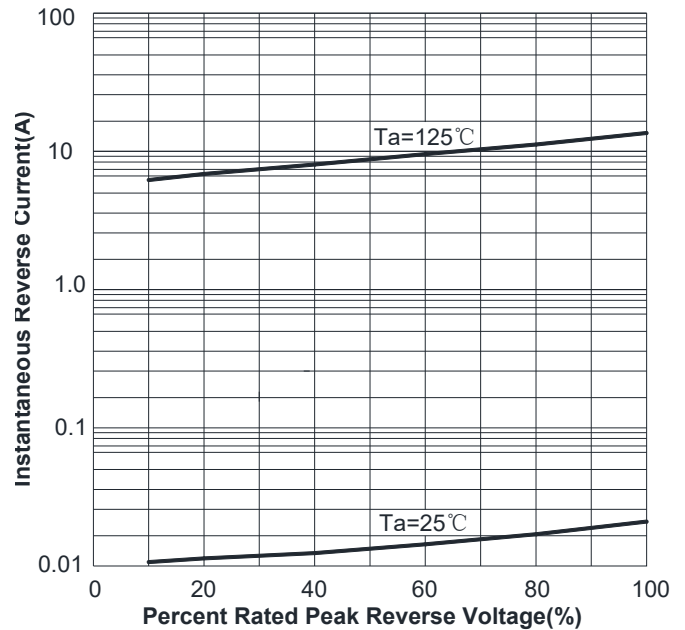
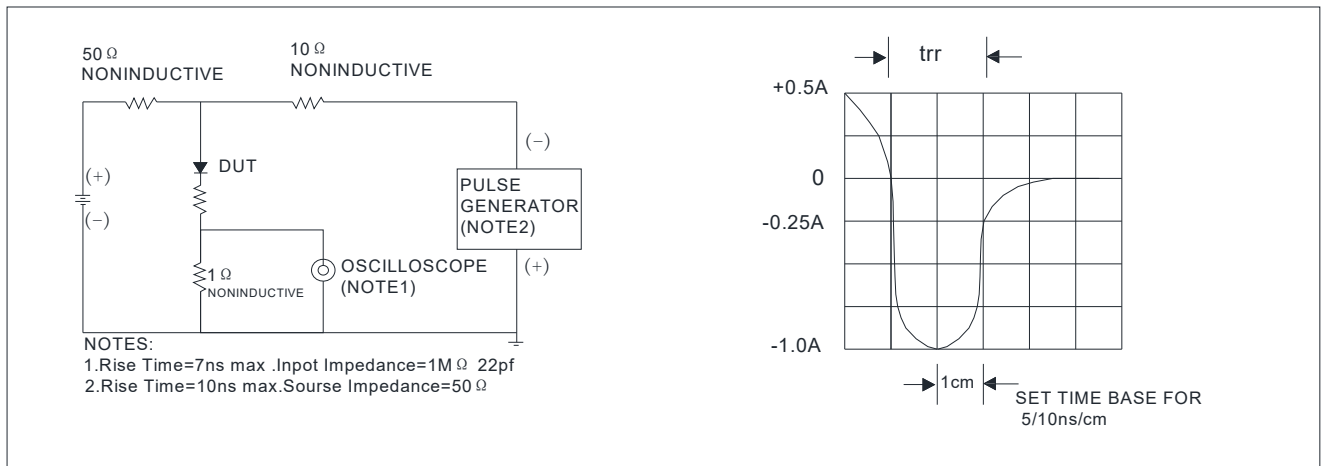


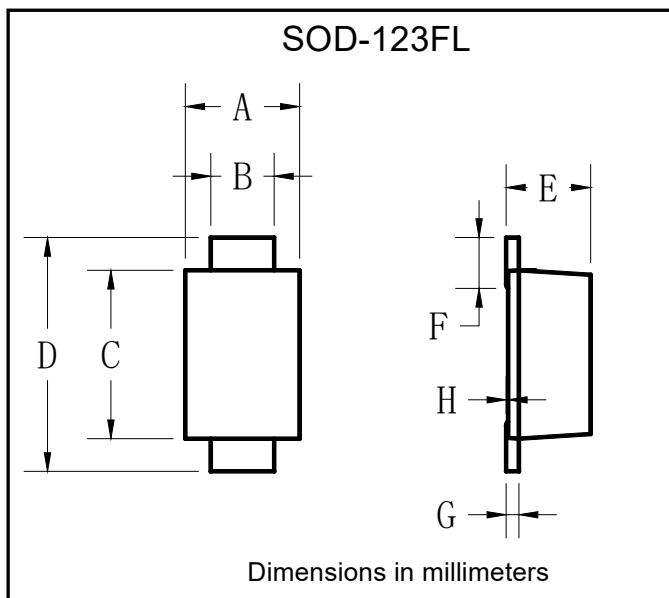
FIG.5: Diagram of circuit and Testing wave form of reverse recovery time



Ordering Information (Example)

| PREFERRED P/N | PACKING CODE | UNIT WEIGHT(g) | MINIMUM PACKAGE(pcs) | INNER BOX QUANTITY(pcs) | OUTER CARTON QUANTITY(pcs) | DELIVERY MODE |
|---------------|--------------|--------------------|----------------------|-------------------------|----------------------------|---------------|
| E1A THRU E1J | F1 | Approximate 0.0169 | 3000 | 15000 | 120000 | 7" reel |
| E1A THRU E1J | F2 | Approximate 0.0169 | 2500 | 12500 | 100000 | 7" reel |
| E1A THRU E1J | F3 | Approximate 0.0169 | 10000 | 30000 | 210000 | 13" reel |
| E1A THRU E1J | F4 | Approximate 0.0169 | 3000 | 27000 | 108000 | 7" reel |
| E1A THRU E1J | F5 | Approximate 0.0169 | 10000 | 20000 | 160000 | 13" reel |
| E1A THRU E1J | F6 | Approximate 0.0169 | 3000 | 12000 | 60000 | 7" reel |

Outline Dimensions

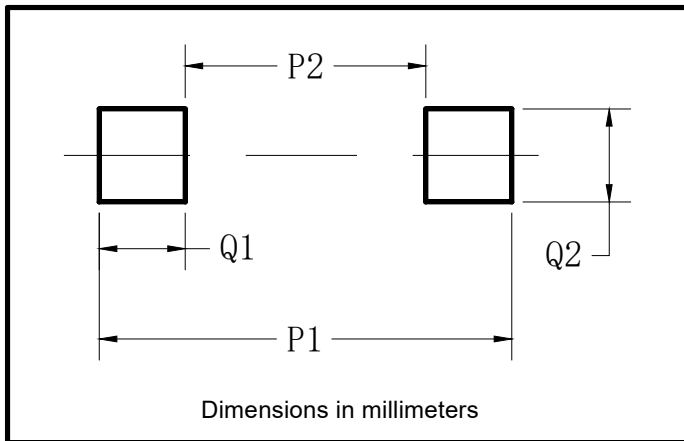


| SOD-123FL | | |
|-----------|------|------|
| Dim | Min | Max |
| A | 1.60 | 1.90 |
| B | 0.90 | 1.10 |
| C | 2.55 | 2.85 |
| D | 3.60 | 3.90 |
| E | 1.00 | 1.20 |
| F | 0.40 | 0.90 |
| G | 0.10 | 0.25 |
| H | 0.02 | 0.05 |



E1A THRU E1J

■ Suggested pad layout



| SOD-123FL | |
|-----------|-------------|
| Dim | Millimeters |
| P1 | 3.90 |
| P2 | 1.90 |
| Q1 | 1.00 |
| Q2 | 1.50 |



E1A THRU E1J

Disclaimer

The information presented in this document is for reference only. Yangzhou Yangjie Electronic Technology Co., Ltd. reserves the right to make changes without notice for the specification of the products displayed herein to improve reliability, function or design or otherwise.

The product listed herein is designed to be used with ordinary electronic equipment or devices, and not designed to be used with equipment or devices which require high level of reliability and the malfunction of which would directly endanger human life (such as medical instruments, transportation equipment, aerospace machinery, nuclear-reactor controllers, fuel controllers and other safety devices), Yangjie or anyone on its behalf, assumes no responsibility or liability for any damages resulting from such improper use of sale.

This publication supersedes & replaces all information previously supplied. For additional information, please visit our website [http:// www.21yangjie.com](http://www.21yangjie.com) , or consult your nearest Yangjie's sales office for further assistance.

X-ON Electronics

Largest Supplier of Electrical and Electronic Components

Click to view similar products for [Rectifiers](#) category:

Click to view products by [Yangjie](#) manufacturer:

Other Similar products are found below :

[D91A](#) [DA24F4100L](#) [DD89N1600K-A](#) [DD89N16K-K](#) [RL252-TP](#) [DLA11C-TR-E](#) [DSA17G](#) [1N4005-TR](#) [BAV199-TP](#) [UFS120Je3/TR13](#)
[JANS1N6640US](#) [VS-80-1293](#) [DD89N16K](#) [DD89N16K-A](#) [481235F](#) [DSP10G-TR-E](#) [RRE02VS6SGTR](#) [067907F](#) [MS306](#) [ND104N08K](#)
[SPA2003-B-D-A01](#) [VS-80-6193](#) [VS-66-9903](#) [VGF0136AB](#) [US2JFL-TP](#) [UFS105Je3/TR13](#) [A1N5404G-G](#) [ACGRA4007-HF](#) [ACGRB207-HF](#)
[RF301B2STL](#) [RF501B2STL](#) [UES1306](#) [UES1302](#) [BAV199E6433HTMA1](#) [ACGRC307-HF](#) [ACEFC304-HF](#) [JANTXV1N5660A](#) [UES1106](#)
[GS2K-LTP](#) [D126A45C](#) [D251N08B](#) [SCHJ22.5K](#) [SM100](#) [SCPA2](#) [SCH10000](#) [SDHD5K](#) [STTH20P035FP](#) [VS-8EWS12S-M3](#) [VS-](#)
[12FL100S10](#) [ACGRA4001-HF](#)