



## Schottky Rectifier Modules

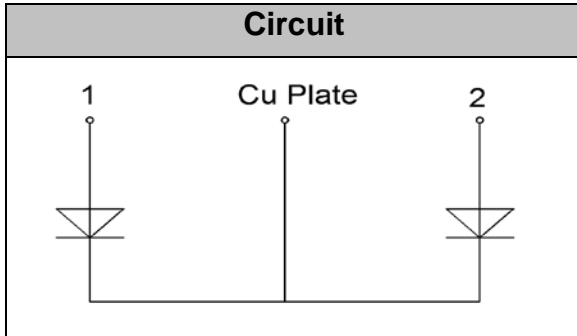
**VRRM** 100V  
**IFAV** 400 A

### Applications

- Plating Power Supply
- High Frequency Power Supply
- High Current Switching Power Supply
- Reverse Battery Protection
- Welding Machine

### Features

- 175°C T<sub>J</sub> Operation
- Center Tap Module
- High Frequency Operation
- Low Forward Voltage
- Dual Diode Construction; May be Paralleled for High Current Output
- Lead (Pb)-free
- Designed and qualified for industrial level



### Maximum Ratings

Symbol	Conditions	Values	Units
V <sub>R</sub>		100	V
I <sub>F(AV)</sub>	T <sub>C</sub> =125°C, Per Diode	200	A
	T <sub>C</sub> =125°C, Per Module	400	A
I <sub>FSM</sub>	1/2 Cycle, 60Hz, Sine	3000	A
I <sup>2</sup> t	T <sub>J</sub> =45°C, t=8.3ms, 60Hz, Sine	45000	A <sup>2</sup> s
T <sub>J</sub>		-40 to +150	°C
T <sub>STG</sub>		-40 to +150	°C
Torque	Recommended (M6)	3~4.7	N·m
Torque	Recommended (M6)	3~4.7	N·m
Weight		68	g

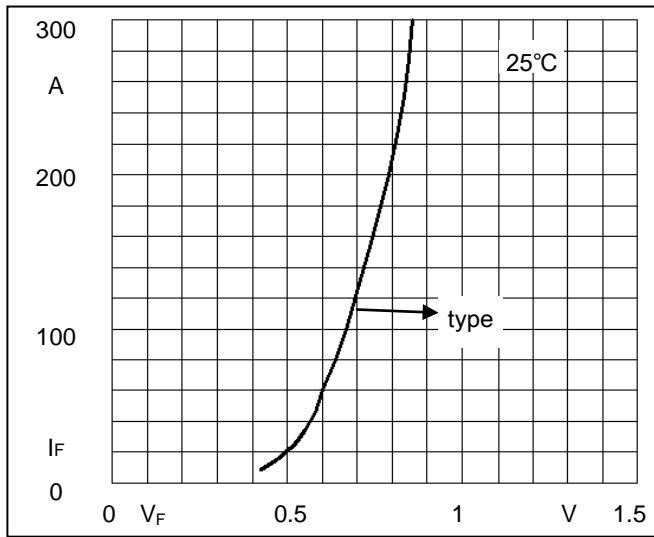
### Thermal Characteristics

Symbol	Conditions	Values	Units
R <sub>th(j-c)</sub>	Per diode	0.3	°C/W

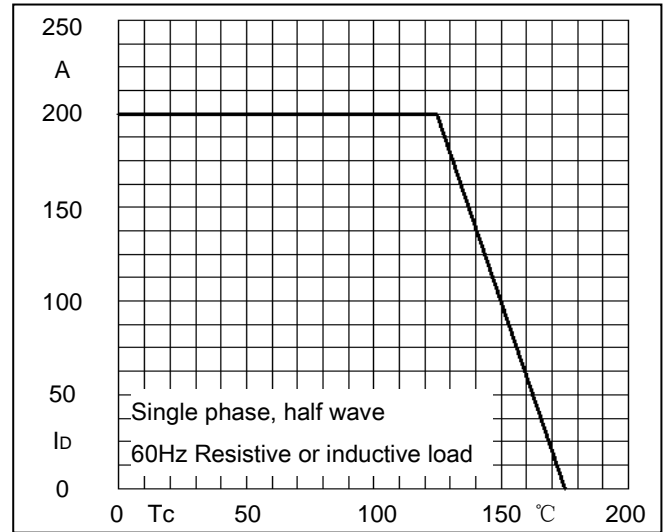
### Electrical Characteristics

Symbol	Conditions	Values			Units
		Min.	Typ.	Max.	
I <sub>RM</sub>	V <sub>R</sub> =100V	--	--	5	mA
	V <sub>R</sub> =100V, T <sub>J</sub> =125°C	--	--	200	mA
V <sub>F</sub>	I <sub>F</sub> =200A, T <sub>J</sub> =25°C	--	0.78	0.85	V
	I <sub>F</sub> =200A, T <sub>J</sub> =125°C	--	0.66	0.68	

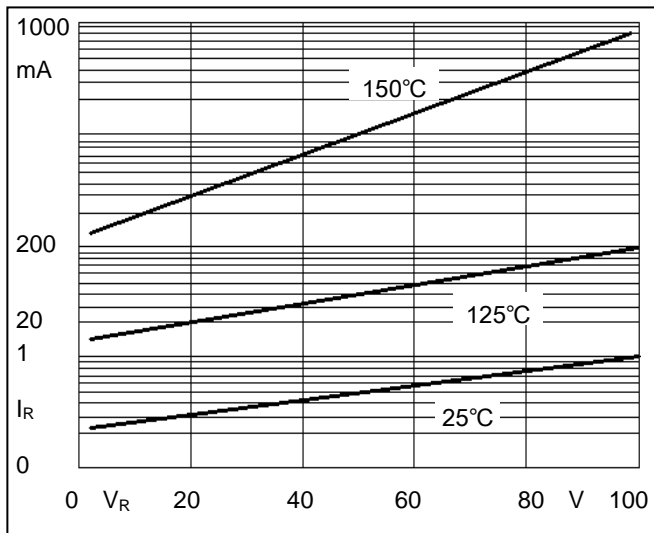
**Performance Curves**



**Fig1. Forward Voltage Drop vs Forward Current**

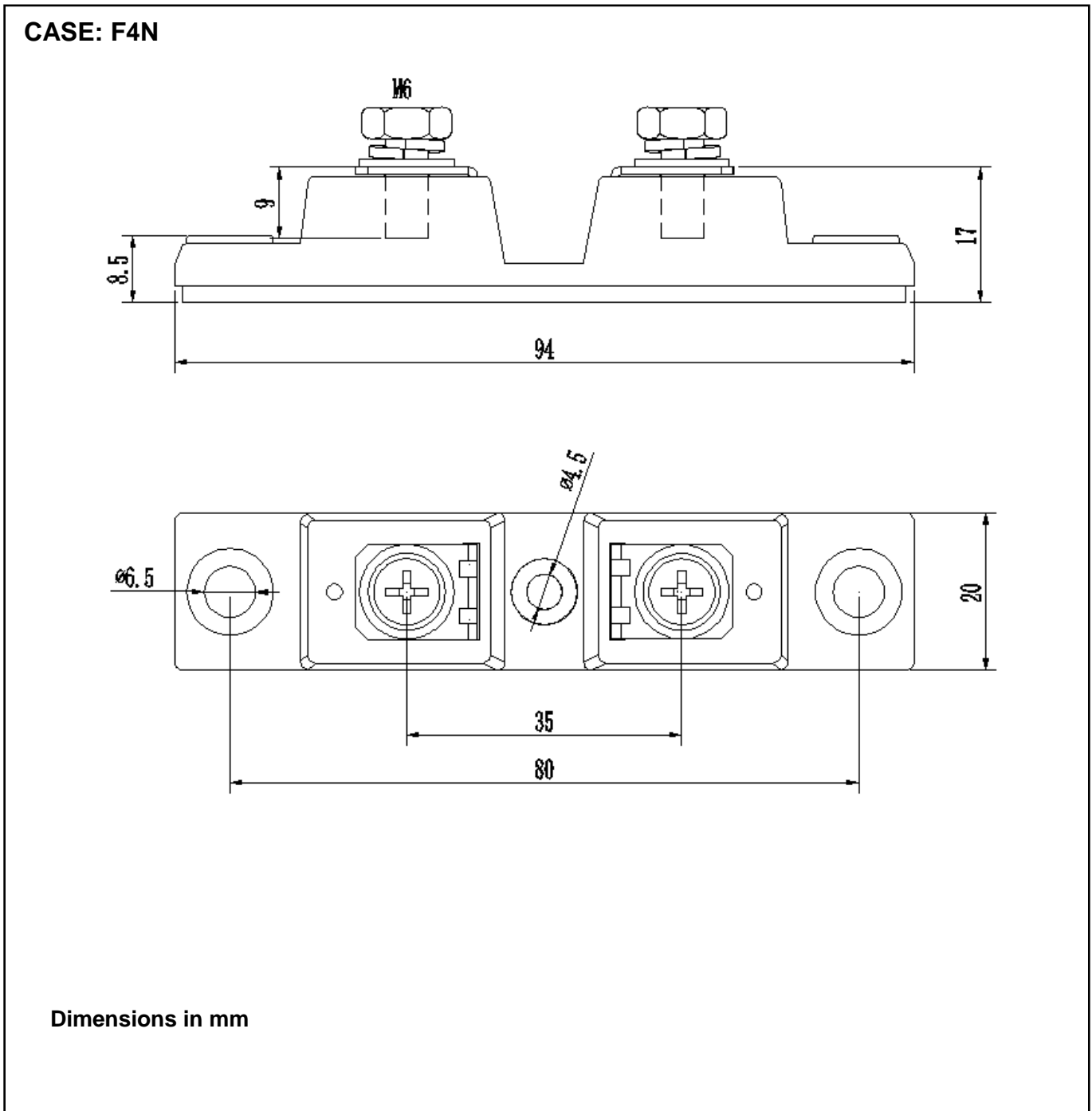


**Fig2. Forward Current Derating Curve**



**Fig3. Typical Reverse Current**

**Package Outline Information**



## X-ON Electronics

Largest Supplier of Electrical and Electronic Components

*Click to view similar products for yangjie manufacturer:*

Other Similar products are found below :

[BR25005](#) [BR2501](#) [BR2506](#) [BZV55C12](#) [BZX55C10](#) [BZX55C4V7](#) [BR2504L](#) [MD200K16D2-A1-0000](#) [MD200S12M3-A1-0000](#)  
[MD200A16D2-A1-0000](#) [MF200DU04FJ-A2-0000](#) [MD165U16D2-A1-0000](#) [MD100S12M4-A1-0000](#) [KBPC3506](#) [MF150C06F5](#)  
[MD165C16D2](#) [MD100S16M5-A1-0000](#) [MD200S18M3-A1-0000](#) [MD100S12M3-A1-0000](#) [MD130S12M5-A1-0000](#) [MD75S18M4-A1-0000](#)  
[MD100S08M3-A1-0000](#) [MD250S12NM3-A1-0000](#) [MD250S16NM3-A1-0000](#) [MT100DT08L1-A1-0000](#) [MT100DT18L1-A1-0000](#)  
[MD100S08M5-A1-0000](#) [MT75DT08L1-A1-0000](#) [MD130S16M3-A1-0000](#) [MD160S18M5-A1-0000](#) [MD160S08M3-A1-0000](#) [MD160S08M5-](#)  
[A1-0000](#) [MD50S16M4-A1-0000](#) [MD100S18M4-A1-0000](#) [MD250S18M3-A1-0000](#) [MT160C18T2-A1-0000](#) [MD100S16M3-A1-0000](#)  
[MT75DT16L1-A1-0000](#) [MD100S12M5-A1-0000](#) [MD100S16NM3-A1-0000](#) [MD100S18M8-A1-0000](#) [MT100DT12L1-A1-0000](#)  
[MT75DT18L1-A1-0000](#) [MD100S18M3-A1-0000](#) [MD100S18M5-A1-0000](#) [MD130S16M5-A1-0000](#) [MD160S16NM3-A1-0000](#)  
[MD160S18NM3-A1-0000](#) [MD130S08M3-A1-0000](#) [MD100S08M2-A1-0000](#)