



FRED Modules

V_{RRM} 600V

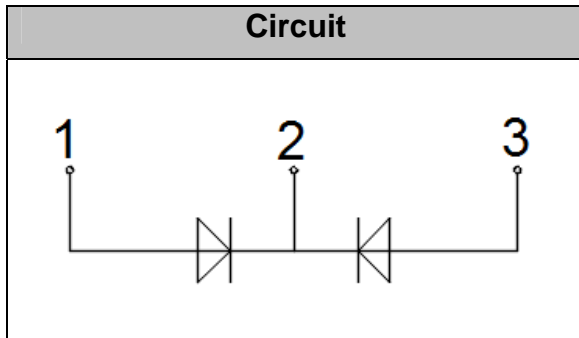
I_{FAV} 150 A

Applications

- Inversion Welder
- Uninterruptible Power Supply (UPS)
- Plating Power Supply
- Ultrasonic Cleaner and Welder
- Power Factor Correction (PFC) Circuit
- Converter & Chopper

Features

- Soft Reverse Recovery Characteristics
- Ultrafast Reverse Recovery Time
- Low Reverse Recovery Loss
- Low Forward Voltage
- High Surge Current Capability
- Low Inductance Package



Maximum Ratings

| Symbol | Conditions | Values | Units |
|--------------|--|-------------|----------------------|
| V_R | | 600 | V |
| V_{RRM} | | 600 | V |
| $I_{F(AV)}$ | $T_C=100^\circ\text{C}$, Per Diode | 150 | A |
| | $T_C=100^\circ\text{C}$, Per Module | 300 | A |
| $I_{F(RMS)}$ | $T_C=100^\circ\text{C}$, Per Diode | 220 | A |
| I_{FSM} | 1/2 Cycle, 50Hz, Sine | 1400 | A |
| | 1/2 Cycle, 60Hz, Sine | 1500 | A |
| I^2t | $T_J=45^\circ\text{C}$, $t=10\text{ms}$, 50Hz, Sine | 9800 | A^2s |
| | $T_J=45^\circ\text{C}$, $t=8.3\text{ms}$, 60Hz, Sine | 11200 | A^2s |
| P_D | | 480 | W |
| Visol | AC, $T_{on}=1\text{min}$ | 3000 | V |
| T_J | | -40 to +150 | $^\circ\text{C}$ |
| T_{STG} | | -40 to +125 | $^\circ\text{C}$ |
| Torque | Recommended (M6) | $5\pm 15\%$ | N·m |
| Torque | Recommended (M6) | $5\pm 15\%$ | N·m |
| Weight | | 160 | g |

Thermal Characteristics

| Symbol | Conditions | Values | Units |
|---------------|-----------------------------|--------|--------------------|
| $R_{th(j-c)}$ | Junction-to-Case, Per Diode | 0.22 | $^\circ\text{C/W}$ |



Electrical Characteristics

| Symbol | Conditions | Values | | | Units |
|-----------|--|--------|------|------|-------|
| | | Min. | Typ. | Max. | |
| I_{RM} | $V_R=600V$ | -- | -- | 1 | mA |
| | $V_R=600V, T_J=125^\circ C$ | -- | -- | 5 | mA |
| V_F | $I_F=150A$ | -- | 1.45 | 1.6 | V |
| | $I_F=150A, T_J=125^\circ C$ | -- | -- | 1.45 | V |
| t_{rr} | $I_F=1A, V_R=30V, di_F/dt=-200A/\mu s$ | -- | 50 | -- | ns |
| t_{rr} | $V_R=300V, I_F=150A, di_F/dt=-200A/\mu s, T_J=25^\circ C$ | -- | 130 | -- | ns |
| I_{RRM} | | -- | 14 | -- | A |
| t_{rr} | $V_R=300V, I_F=150A, di_F/dt=-200A/\mu s, T_J=125^\circ C$ | -- | 220 | -- | ns |
| I_{RRM} | | -- | 22 | -- | A |

Performance Curves

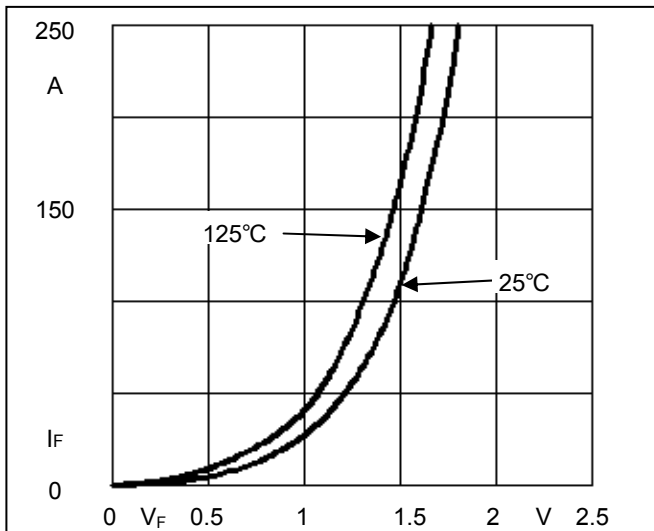


Fig1. Forward Voltage Drop vs Forward Current

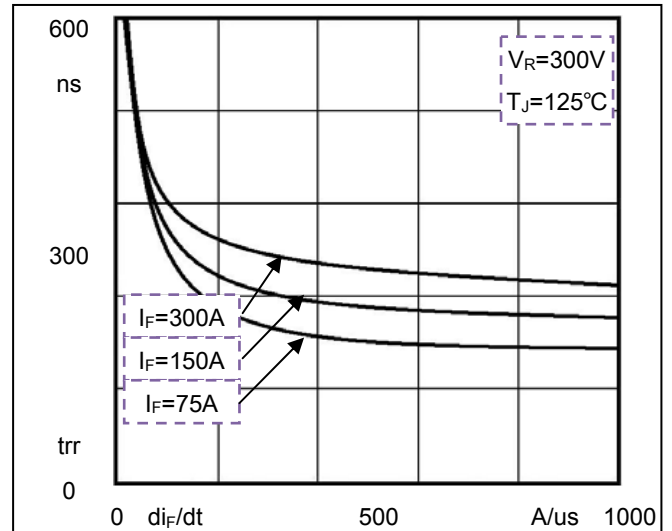


Fig2. Reverse Recovery Time vs di_F/dt

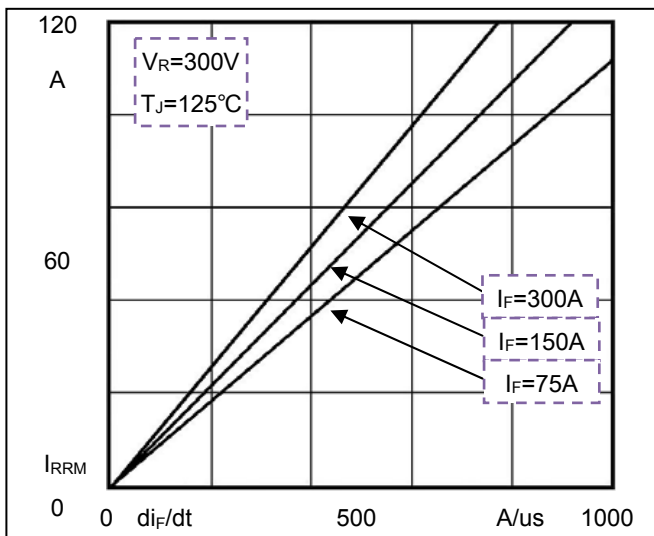


Fig3. Reverse Recovery Current vs di_F/dt

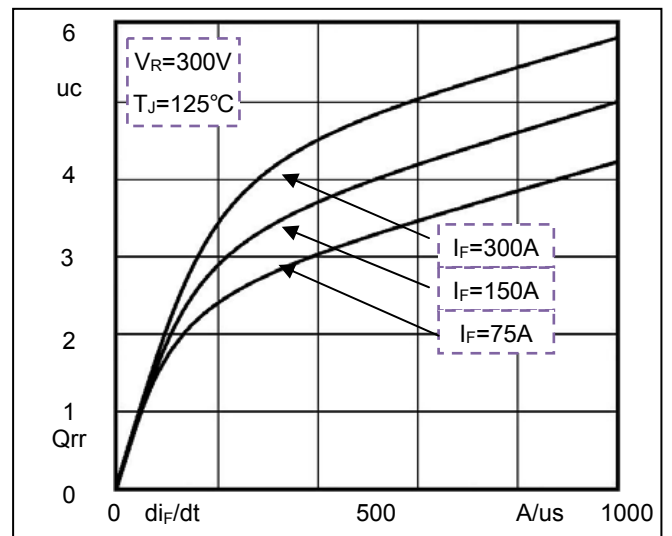
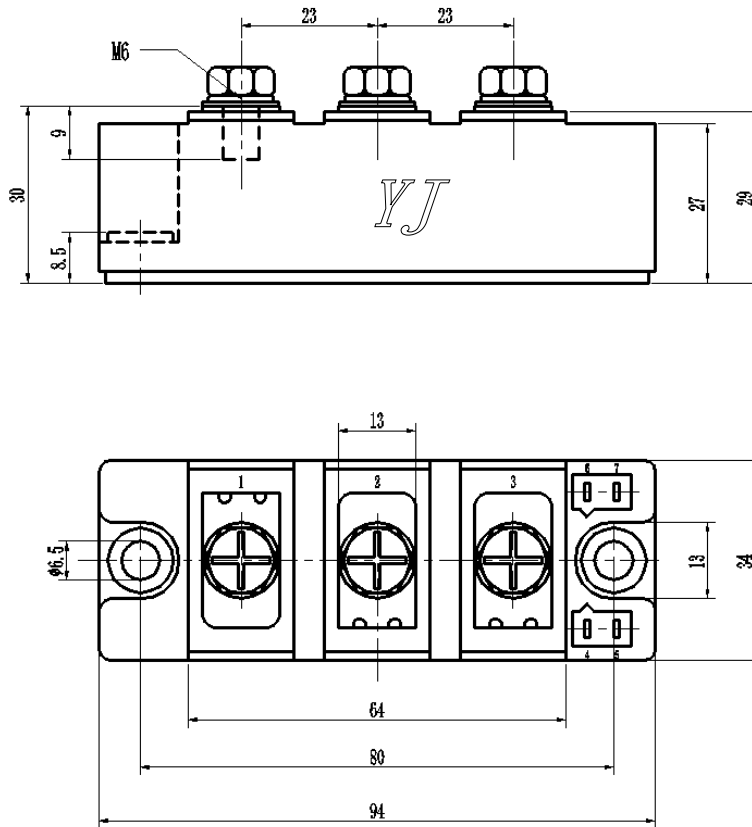


Fig4. Reverse Recovery Charge vs di_F/dt

Package Outline Information

CASE: F2N



Dimensions in mm

X-ON Electronics

Largest Supplier of Electrical and Electronic Components

Click to view similar products for yangjie manufacturer:

Other Similar products are found below :

[BR25005](#) [BR2501](#) [BR2506](#) [BZV55C12](#) [BZX55C10](#) [BZX55C4V7](#) [BR2504L](#) [MD200K16D2-A1-0000](#) [MD200S12M3-A1-0000](#)
[MD200A16D2-A1-0000](#) [MF200DU04FJ-A2-0000](#) [MD165U16D2-A1-0000](#) [MD100S12M4-A1-0000](#) [KBPC3506](#) [MF150C06F5](#)
[MD165C16D2](#) [MD100S16M5-A1-0000](#) [MD200S18M3-A1-0000](#) [MD100S12M3-A1-0000](#) [MD130S12M5-A1-0000](#) [MD75S18M4-A1-0000](#)
[MD100S08M3-A1-0000](#) [MD250S12NM3-A1-0000](#) [MD250S16NM3-A1-0000](#) [MT100DT08L1-A1-0000](#) [MT100DT18L1-A1-0000](#)
[MD100S08M5-A1-0000](#) [MT75DT08L1-A1-0000](#) [MD130S16M3-A1-0000](#) [MD160S18M5-A1-0000](#) [MD160S08M3-A1-0000](#) [MD160S08M5-](#)
[A1-0000](#) [MD50S16M4-A1-0000](#) [MD100S18M4-A1-0000](#) [MD250S18M3-A1-0000](#) [MT160C18T2-A1-0000](#) [MD100S16M3-A1-0000](#)
[MT75DT16L1-A1-0000](#) [MD100S12M5-A1-0000](#) [MD100S16NM3-A1-0000](#) [MD100S18M8-A1-0000](#) [MT100DT12L1-A1-0000](#)
[MT75DT18L1-A1-0000](#) [MD100S18M3-A1-0000](#) [MD100S18M5-A1-0000](#) [MD130S16M5-A1-0000](#) [MD160S16NM3-A1-0000](#)
[MD160S18NM3-A1-0000](#) [MD130S08M3-A1-0000](#) [MD100S08M2-A1-0000](#)