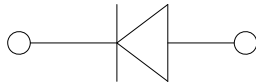
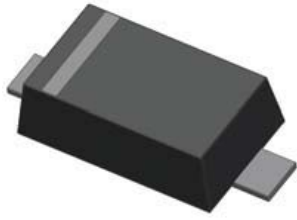


Zener Diodes



Features

- High reliability
- Very sharp reverse characteristic
- Low reverse current level

Mechanical Data

- **Package:** SOD323F
- **Terminals:** Tin plated leads, solderable per J-STD-002 and JESD22-B102
- **Polarity:** Cathode line denotes the cathode end

■ Maximum Ratings (T_a=25°C Unless otherwise specified)

PARAMETER	SYMBOL	UNIT	VALUE
Power Dissipation at T _a =75°C (Note1)	PD	mW	200
Storage Temperature Range	T _{stg}	°C	-65~+150
Maximum Junction Temperature	T _j	°C	-65~+150
Maximum Regulator Current	I _{ZM}	mA	PD/V _Z

■ Ordering Information (Example)

PREFERRED P/N	PACKING CODE	UNIT WEIGHT(g)	MINIMUM PACKAGE(pcs)	INNER BOX QUANTITY(pcs)	OUTER CARTON QUANTITY(pcs)	DELIVERY MODE
MM3Z2V0CWF THRU MM3Z75VCWF	F1	Approximate 0.0033	3000	15000	180000	7" reel

■ Electrical Characteristics (T_a=25°C Unless otherwise specified)

Item	Symbol	Unit	Conditions	Min	Max
Forward Voltage	V _F	V	I _F =10mA		1.0



MM3Z2V0CWF THRU MM3Z75VCWF

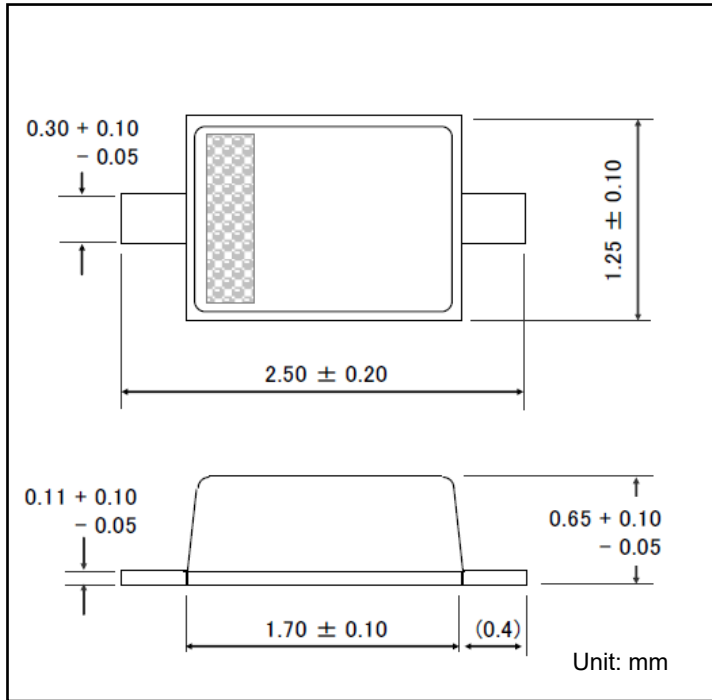
■ Electrical Characteristics (T_a=25°C Unless otherwise specified)

Part Number	Marking	V _Z at I _{ZT}			Z _{ZT}	I _{ZT} mA	Z _{ZK}	I _{ZK} mA	IR @ V _R uA	V _R V
		Min	Nom	Max	Ω		Ω			
MM3Z2V0CWF	2V0	1.9	2.0	2.10	100	5	600	1	120	1
MM3Z2V2CWF	2V2	2.09	2.2	2.31	100	5	600	1	120	1
MM3Z2V4CWF	2V4	2.28	2.4	2.52	100	5	600	1	120	1
MM3Z2V7CWF	2V7	2.57	2.7	2.84	100	5	600	1	100	1
MM3Z3V0CWF	3V0	2.85	3	3.15	100	5	600	1	50	1
MM3Z3V3CWF	3V3	3.14	3.3	3.47	95	5	600	1	20	1
MM3Z3V6CWF	3V6	3.42	3.6	3.78	90	5	600	1	10	1
MM3Z3V9CWF	3V9	3.71	3.9	4.1	90	5	600	1	5	1
MM3Z4V3CWF	4V3	4.09	4.3	4.52	90	5	600	1	5	1
MM3Z4V7CWF	4V7	4.47	4.7	4.94	80	5	500	1	2	1
MM3Z5V1CWF	5V1	4.85	5.1	5.36	60	5	480	1	2	1.5
MM3Z5V6CWF	5V6	5.32	5.6	5.88	40	5	400	1	1	2.0
MM3Z6V2CWF	6V2	5.89	6.2	6.51	10	5	150	1	1	3.0
MM3Z6V8CWF	6V8	6.46	6.8	7.14	15	5	80	1	0.5	4.0
MM3Z7V5CWF	7V5	7.11	7.5	7.86	15	5	50	1	0.5	5.0
MM3Z8V2CWF	8V2	7.79	8.2	8.61	15	5	50	1	0.5	6.0
MM3Z9V1CWF	9V1	8.65	9.1	9.56	15	5	50	1	0.5	7.0
MM3Z10VCWF	10	9.5	10	10.5	20	5	70	1	0.1	7.5
MM3Z11VCWF	11	10.45	11	11.55	20	5	70	1	0.1	8.0
MM3Z12VCWF	12	11.4	12	12.6	25	5	90	1	0.1	9.0
MM3Z13VCWF	13	12.35	13	13.65	30	5	110	1	0.1	10
MM3Z15VCWF	15	14.25	15	15.75	30	5	110	1	0.1	11
MM3Z16VCWF	16	15.2	16	16.8	40	5	170	1	0.1	12
MM3Z18VCWF	18	17.1	18	18.9	45	5	170	1	0.1	14
MM3Z20VCWF	20	19	20	21	55	5	220	1	0.1	15
MM3Z22VCWF	22	20.9	22	23.1	55	5	220	1	0.1	17
MM3Z24VCWF	24	22.8	24	25.2	70	5	220	1	0.1	19
MM3Z27VCWF	27	25.65	27	28.35	80	5	220	1	0.1	20
MM3Z30VCWF	30	28.5	30	31.5	80	5	220	1	0.1	22
MM3Z33VCWF	33	31.35	33	34.65	80	5	220	1	0.1	24
MM3Z36VCWF	36	34.2	36	37.8	90	5	220	1	0.1	27
MM3Z39VCWF	39	37.05	39	40.95	130	5	500	0.5	0.1	29
MM3Z43VCWF	43	40.85	43	45.15	150	5	600	0.5	0.1	32
MM3Z47VCWF	47	44.65	47	49.35	170	5	700	0.5	0.1	35
MM3Z51VCWF	51	48.45	51	53.55	180	5	700	0.5	0.1	38
MM3Z56VCWF	56	53.2	56	58.8	200	5	1000	0.5	0.1	42
MM3Z62VCWF	62	58.9	62	65.1	215	5	1000	0.5	0.1	47
MM3Z68VCWF	68	64.6	68	71.4	240	5	1000	0.5	0.1	51
MM3Z75VCWF	75	71.25	75	78.75	255	5	1500	0.5	0.1	56

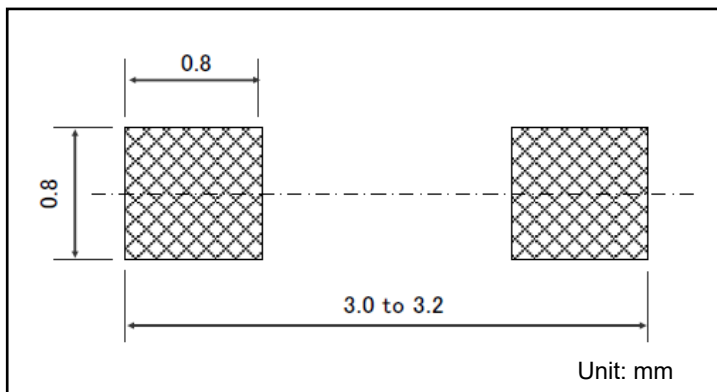


MM3Z2V0CWF THRU MM3Z75VCWF

■ Outline Dimensions



■ Soldering Footprint





MM3Z2V0CWF THRU MM3Z75VCWF

Disclaimer

The information presented in this document is for reference only. Yangzhou Yangjie Electronic Technology Co., Ltd. reserves the right to make changes without notice for the specification of the products displayed herein to improve reliability, function or design or otherwise.

The product listed herein is designed to be used with ordinary electronic equipment or devices, and not designed to be used with equipment or devices which require high level of reliability and the malfunction of which would directly endanger human life (such as medical instruments, transportation equipment, aerospace machinery, nuclear-reactor controllers, fuel controllers and other safety devices), Yangjie or anyone on its behalf, assumes no responsibility or liability for any damages resulting from such improper use of sale.

This publication supersedes & replaces all information previously supplied. For additional information, please visit our website [http:// www.21yangjie.com](http://www.21yangjie.com) , or consult your nearest Yangjie's sales office for further assistance.

X-ON Electronics

Largest Supplier of Electrical and Electronic Components

Click to view similar products for [Zener Diodes](#) category:

Click to view products by [Yangjie](#) manufacturer:

Other Similar products are found below :

[MMSZ5245BS-7-F](#) [RKZ13B2KG#P1](#) [RKZ5.6B2KJ#R1](#) [EDZTE6113B](#) [EDZTE6116B](#) [EDZTE616.8B](#) [1N747A](#) [1N966B](#) [NTE5116A](#)
[NTE5121A](#) [NTE5139A](#) [NTE5147A](#) [NTE5152A](#) [NTE5155A](#) [NTE5156A](#) [NTE5164A](#) [JANS1N4974US](#) [SMAJ4764A-TP](#) [RKZ5.1BKU#P6](#)
[3SMAJ5946B-TP](#) [3SMAJ5950B-TP](#) [3SMBJ5920B-TP](#) [3SMBJ5925B-TP](#) [TDZTR24](#) [441774C](#) [MMSZ4678-TP](#) [MMSZ5232BQ-13-F](#)
[BZG04-36](#) [BZG05C9V1-HE3-TR](#) [HZM30NBTR-E](#) [UDZTE-175.1B](#) [3SMAJ5945B-TP](#) [3SMAJ5947B-TP](#) [3SMBJ5941B-TP](#) [DL4746A-TP](#)
[RKZ18B2KK#R1](#) [RKZ10B2KL#R1](#) [RKZ6.8B2KL#R1](#) [RKZ8.2B2KL#R1](#) [DZ2S240M0L](#) [SMAZ27-TP](#) [SMBZ5920B-E3/52](#) [ZMM3.0](#)
[RD16UM-T1-A](#) [RD39S-T1-A](#) [RD9.1S-T1-A](#) [RD10S-T1-A](#) [RD20S-T1-A](#) [RD2.2S-T1-A](#) [RD2.7UM-T1-A](#)