

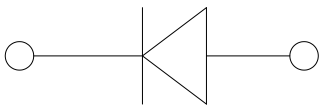


Zener Diodes



Features

- High reliability
- Very sharp reverse characteristic
- Low reverse current level



Mechanical Data

- **Package:** SOD123G
- **Terminals:** Tin plated leads, solderable per J-STD-002 and JESD22-B102
- **Polarity:** Cathode line denotes the cathode end

■ Maximum Ratings ($T_a=25^\circ\text{C}$ Unless otherwise specified)

PARAMETER	SYMBOL	UNIT	VALUE
Forward Voltage at $I_F=10\text{mA}$ (Note 2)	VF	V	0.9
Power Dissipation at $T_a=75^\circ\text{C}$ (Note 1)	PD	mW	500
Storage Temperature Range	T_{stg}	$^\circ\text{C}$	-65~+150
Maximum Junction Temperature	T_j	$^\circ\text{C}$	-65~+150

Notes:

1. Device mounted on ceramic PCB; 7.6mm x 9.4mm x 0.87mm with pad areas 25mm²
2. Short duration test pulse used to minimize self-heating effect.
3. $f = 1\text{KHz}$

■ Ordering Information (Example)

PREFERRED P/N	PACKING CODE	UNIT WEIGHT(g)	MINIMUM PACKAGE(pcs)	INNER BOX QUANTITY(pcs)	OUTER CARTON QUANTITY(pcs)	DELIVERY MODE
MMSZ2V4CW THRU MMSZ51VCW	F1	Approximate 0.011	3000	45000	180000	7" reel



MMSZ2V4CW THRU MMSZ51VCW

■Electrical Characteristics (T_a=25°C Unless otherwise specified)

Type Number	Type Code	V _Z at I _{ZT}			I _{ZT} mA	Z _{ZT} at I _{ZT}	I _{ZK} mA	Z _{ZK} at I _{ZK}	IR @ V _R μA	V _R V	Typical Temperature Coefficient@ IZTC mV/°C		Test Current I _{ZTC} mA
		Min	Nom	Max		Ω		Ω			Min	Max	
MMSZ2V4CW	WX	2.2	2.4	2.6	5	100	1.0	600	50	1.0	-3.5	0	5
MMSZ2V7CW	W1	2.5	2.7	2.9	5	100	1.0	600	20	1.0	-3.5	0	5
MMSZ3V0CW	W2	2.8	3.0	3.2	5	95	1.0	600	10	1.0	-3.5	0	5
MMSZ3V3CW	W3	3.1	3.3	3.5	5	95	1.0	600	5.0	1.0	-3.5	0	5
MMSZ3V6CW	W4	3.4	3.6	3.8	5	90	1.0	600	5.0	1.0	-3.5	0	5
MMSZ3V9CW	W5	3.7	3.9	4.1	5	90	1.0	600	3.0	1.0	-3.5	0	5
MMSZ4V3CW	W6	4.0	4.3	4.6	5	90	1.0	600	3.0	1.0	-3.5	0	5
MMSZ4V7CW	W7	4.4	4.7	5.0	5	80	1.0	500	3.0	2.0	-3.5	0.2	5
MMSZ5V1CW	W8	4.8	5.1	5.4	5	60	1.0	480	2.0	2.0	-2.7	1.2	5
MMSZ5V6CW	W9	5.2	5.6	6.0	5	40	1.0	400	1.0	2.0	-2	2.5	5
MMSZ6V2CW	WA	5.8	6.2	6.6	5	10	1.0	150	3.0	4.0	0.4	3.7	5
MMSZ6V8CW	WB	6.4	6.8	7.2	5	15	1.0	80	2.0	4.0	1.2	4.5	5
MMSZ7V5CW	WC	7.0	7.5	7.9	5	15	1.0	80	1.0	5.0	2.5	5.3	5
MMSZ8V2CW	WD	7.7	8.2	8.7	5	15	1.0	80	0.7	5.0	3.2	6.2	5
MMSZ9V1CW	WE	8.5	9.1	9.6	5	15	1.0	100	0.5	6.0	3.8	7.0	5
MMSZ10VCW	WF	9.4	10	10.6	5	20	1.0	150	0.2	7.0	4.5	8.0	5
MMSZ11VCW	WG	10.4	11	11.6	5	20	1.0	150	0.1	8.0	5.4	9.0	5
MMSZ12VCW	WH	11.4	12	12.7	5	25	1.0	150	0.1	8.0	6.0	10.0	5
MMSZ13VCW	WI	12.4	13	14.1	5	30	1.0	170	0.1	8.0	7.0	11.0	5
MMSZ15VCW	WJ	13.8	15	15.6	5	30	1.0	200	0.1	10.5	9.2	13.0	5
MMSZ16VCW	WK	15.3	16	17.1	5	40	1.0	200	0.1	11.2	10.4	14.0	5
MMSZ18VCW	WL	16.8	18	19.1	5	45	1.0	225	0.1	12.6	12.4	16.0	5
MMSZ20VCW	WM	18.8	20	21.2	5	55	1.0	225	0.1	14.0	14.4	18.0	5
MMSZ22VCW	WN	20.8	22	23.3	5	55	1.0	250	0.1	15.4	16.4	20.0	5
MMSZ24VCW	WO	22.8	24	25.6	5	70	1.0	250	0.1	16.8	18.4	22.0	5
MMSZ27VCW	WP	25.1	27	28.9	2	80	0.5	300	0.1	18.9	21.4	25.3	2
MMSZ30VCW	WQ	28.0	30	32.0	2	80	0.5	300	0.1	21.0	24.4	29.4	2
MMSZ33VCW	WR	31.0	33	35.0	2	80	0.5	325	0.1	23.1	27.4	33.4	2
MMSZ36VCW	WS	34.0	36	38.0	2	90	0.5	350	0.1	25.2	30.4	37.4	2
MMSZ39VCW	WT	37.0	39	41.0	2	130	0.5	350	0.1	27.3	33.4	41.2	2
MMSZ43VCW	WU	40.0	43	46.0	2	100	1.0	700	0.1	32.0	10.0	12.0	5
MMSZ47VCW	WV	44.0	47	50.0	2	100	1.0	750	0.1	35.0	10.0	12.0	5
MMSZ51VCW	WW	48.0	51	54.0	2	100	1.0	750	0.1	38.0	10.0	12.0	5

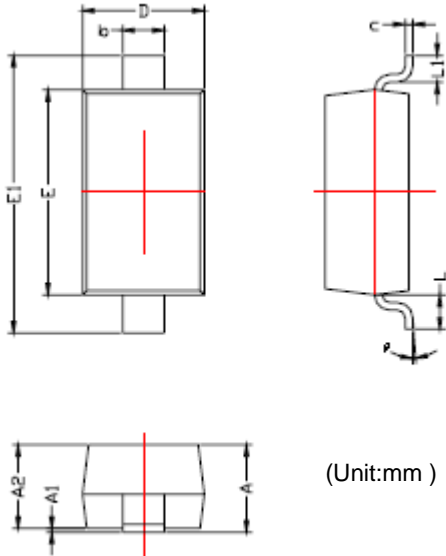
Notes:

C Capacitance =600pF Maximum @ V_R=0V, f=1MHZ for MMSZ2V4CW to MMSZ4V7CW
 =250pF Maximum @ V_R=0V, f=1MHZ for MMSZ5V1CW to MMSZ10VCW
 =120pF Maximum @ V_R=0V, f=1MHZ for MMSZ11VCW to MMSZ51VCW



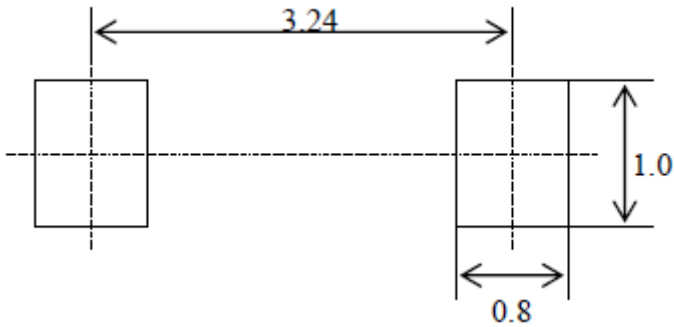
MMSZ2V4CW THRU MMSZ51VCW

■ Outline Dimensions



Symbol	Dimensions	
	MIN	MAX
A	1.050	1.250
A1	0.000	0.100
A2	1.050	1.150
b	0.450	0.650
c	0.080	0.150
D	1.500	1.700
E	2.600	2.800
E1	3.550	3.850
L	0.500REF	
L1	0.250	0.450
θ	0°	8°

■ Soldering Footprint



Unit: mm



MMSZ2V4CW THRU MMSZ51VCW

Disclaimer

The information presented in this document is for reference only. Yangzhou Yangjie Electronic Technology Co., Ltd. reserves the right to make changes without notice for the specification of the products displayed herein to improve reliability, function or design or otherwise.

The product listed herein is designed to be used with ordinary electronic equipment or devices, and not designed to be used with equipment or devices which require high level of reliability and the malfunction of which would directly endanger human life (such as medical instruments, transportation equipment, aerospace machinery, nuclear-reactor controllers, fuel controllers and other safety devices), Yangjie or anyone on its behalf, assumes no responsibility or liability for any damages resulting from such improper use of sale.

This publication supersedes & replaces all information previously supplied. For additional information, please visit our website [http:// www.21yangjie.com](http://www.21yangjie.com) , or consult your nearest Yangjie's sales office for further assistance.

X-ON Electronics

Largest Supplier of Electrical and Electronic Components

Click to view similar products for [Zener Diodes](#) category:

Click to view products by [Yangjie](#) manufacturer:

Other Similar products are found below :

[MMSZ5245BS-7-F](#) [RKZ13B2KG#P1](#) [RKZ5.6B2KJ#R1](#) [EDZTE6113B](#) [EDZTE6116B](#) [EDZTE616.8B](#) [1N747A](#) [1N966B](#) [NTE5116A](#)
[NTE5121A](#) [NTE5139A](#) [NTE5147A](#) [NTE5152A](#) [NTE5155A](#) [NTE5156A](#) [NTE5164A](#) [JANS1N4974US](#) [SMAJ4764A-TP](#) [RKZ5.1BKU#P6](#)
[3SMAJ5946B-TP](#) [3SMAJ5950B-TP](#) [3SMBJ5920B-TP](#) [3SMBJ5925B-TP](#) [TDZTR24](#) [441774C](#) [MMSZ4678-TP](#) [MMSZ5232BQ-13-F](#)
[BZG04-36](#) [BZG05C9V1-HE3-TR](#) [HZM30NBTR-E](#) [UDZTE-175.1B](#) [3SMAJ5945B-TP](#) [3SMAJ5947B-TP](#) [3SMBJ5941B-TP](#) [DL4746A-TP](#)
[RKZ18B2KK#R1](#) [RKZ10B2KL#R1](#) [RKZ6.8B2KL#R1](#) [RKZ8.2B2KL#R1](#) [DZ2S240M0L](#) [SMAZ27-TP](#) [SMBZ5920B-E3/52](#) [ZMM3.0](#)
[RD16UM-T1-A](#) [RD39S-T1-A](#) [RD9.1S-T1-A](#) [RD10S-T1-A](#) [RD20S-T1-A](#) [RD2.2S-T1-A](#) [RD2.7UM-T1-A](#)