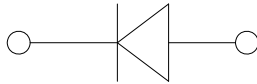
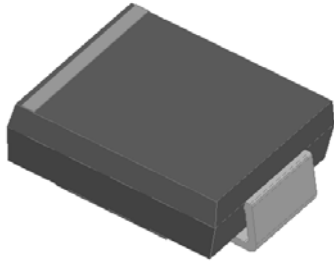


## Surface Mount Transient Voltage Suppressor Diodes

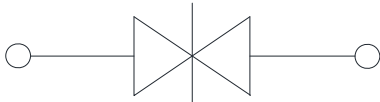
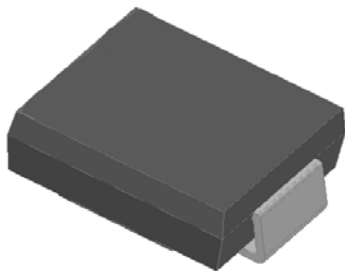
### Uni-directional



### Features

- Low profile package
- Ideal for automated placement
- Available in Uni-directional and Bi-directional
- 1500W peak pulse power capability with a 10/1000  $\mu$ s waveform
- Excellent clamping capability
- Very fast response time
- Low incremental surge resistance
- Meets MSL level 1, per J-STD-020C, LF maximum peak of 260 °C
- ESD protection of data lines in accordance with IEC 61000-4-2, 30kV(Air),30kV (Contact)
- Part no. with suffix "Q" means AEC-Q101 qualified

### Bi-directional



### Typical Applications

Use in sensitive electronics protection against voltage transients induced by inductive load switching and lighting on ICs, MOSFET, signal lines of sensor units for consumer, computer, industrial, automotive, telecommunication.

### Mechanical Data

- **Package:** DO-214AB (SMC)  
Molding compound meets UL 94 V-0 flammability rating, RoHS-compliant, halogen-free
- **Terminals:** Matte tin plated leads, solderable per J-STD-002 and JESD22-B102
- **Polarity:** For uni-directional types the band denotes cathode end, no marking on bi-directional types

### ■Maximum Ratings ( $T_a=25^\circ\text{C}$ Unless otherwise specified)

| PARAMETER   | SYMBOL    | UNIT             | Max            |
|---|-----------|------------------|----------------|
| Peak power dissipation, with a 10/1000us waveform <sup>(1) (2)</sup>                        | $P_{PPM}$ | W                | 1500           |
| Peak pulse current, with a 10/1000us waveform <sup>(1)</sup>                                | $I_{PPM}$ | A                | See Next Table |
| Power dissipation, on infinite heat sink at $T_L=75^\circ\text{C}$ <sup>(2)</sup>           | $P_D$     | W                | 6.5            |
| Peak forward surge current, 8.3 ms single half sine-wave unidirectional only <sup>(3)</sup> | $I_{FSM}$ | A                | 200            |
| Operating junction  | $T_J$     | $^\circ\text{C}$ | -55 to +175    |
| Storage temperature range   | $T_{STG}$ | $^\circ\text{C}$ | -55 to +175    |

### ■Electrical Characteristics ( $T_a=25^\circ\text{C}$ Unless otherwise specified)

| PARAMETER  | SYMBOL   | UNIT | VALUE |
|--|----------|------|-------|
| Maximum instantaneous forward voltage at 100A for unidirectional only <sup>(4)</sup> | $V_{FM}$ | V    | 3.5   |



# SMCJ5.0AQ THRU SMCJ190CAQ

## ■Electrical Characteristics (Ta=25°C Unless otherwise specified)

| Part Number<br>(Uni) | Part Number<br>(Bi)       | Breakdown Voltage $V_{BR}@I_T$ |         |                  | Maximum<br>Reverse<br>Leakage $I_R^{(6)}$<br>@ $V_{RWM}$ ( $\mu A$ ) | Working Peak<br>Reverse<br>Voltage<br>$V_{RWM}$ (V) | Maximum<br>Reverse Surge<br>Current $I_{PP}^{(7)}$<br>(A) | Maximum<br>Clamping<br>Voltage $V_c$<br>@ $I_{PP}$<br>(V) |
|----------------------|---------------------------|--------------------------------|---------|------------------|--|---|---|---|
|                      |                           | Min(V)                         | Max (V) | $I_T^{(5)}$ (mA) |  |   |   |   |
| SMCJ5.0AQ            | SMCJ5.0CAQ <sup>(8)</sup> | 6.4                            | 7.07    | 10               | 1000   | 5   | 163.0   | 9.2   |
| SMCJ6.0AQ            | SMCJ6.0CAQ                | 6.67                           | 7.37    | 10               | 1000   | 6   | 145.6   | 10.3  |
| SMCJ6.5AQ            | SMCJ6.5CAQ                | 7.22                           | 7.98    | 10               | 500  | 6.5   | 133.9   | 11.2  |
| SMCJ7.0AQ            | SMCJ7.0CAQ                | 7.78                           | 8.6     | 10               | 200  | 7   | 125.0   | 12  |
| SMCJ7.5AQ            | SMCJ7.5CAQ                | 8.33                           | 9.21    | 1                | 100  | 7.5   | 116.3   | 12.9  |
| SMCJ8.0AQ            | SMCJ8.0CAQ                | 8.89                           | 9.83    | 1                | 50   | 8   | 110.3   | 13.6  |
| SMCJ8.5AQ            | SMCJ8.5CAQ                | 9.44                           | 10.4    | 1                | 20   | 8.5   | 104.2   | 14.4  |
| SMCJ9.0AQ            | SMCJ9.0CAQ                | 10                             | 11.1    | 1                | 10   | 9   | 97.4  | 15.4  |
| SMCJ10AQ             | SMCJ10CAQ                 | 11.1                           | 12.3    | 1                | 5  | 10  | 88.24   | 17  |
| SMCJ11AQ             | SMCJ11CAQ                 | 12.20                          | 13.50   | 1                | 5  | 11.0  | 82.4  | 18.2  |
| SMCJ12AQ             | SMCJ12CAQ                 | 13.30                          | 14.70   | 1                | 5  | 12.0  | 75.4  | 19.9  |
| SMCJ13AQ             | SMCJ13CAQ                 | 14.40                          | 15.90   | 1                | 1  | 13.0  | 69.8  | 21.5  |
| SMCJ14AQ             | SMCJ14CAQ                 | 15.60                          | 17.20   | 1                | 1  | 14.0  | 64.7  | 23.2  |
| SMCJ15AQ             | SMCJ15CAQ                 | 16.70                          | 18.50   | 1                | 1  | 15.0  | 61.5  | 24.4  |
| SMCJ16AQ             | SMCJ16CAQ                 | 17.80                          | 19.70   | 1                | 1  | 16.0  | 57.7  | 26.0  |
| SMCJ17AQ             | SMCJ17CAQ                 | 18.90                          | 20.90   | 1                | 1  | 17.0  | 54.4  | 27.6  |
| SMCJ18AQ             | SMCJ18CAQ                 | 20.00                          | 22.10   | 1                | 1  | 18.0  | 51.4  | 29.2  |
| SMCJ19AQ             | SMCJ19CAQ                 | 21.10                          | 23.30   | 1                | 1  | 19.0  | 48.7  | 30.8  |
| SMCJ20AQ             | SMCJ20CAQ                 | 22.20                          | 24.50   | 1                | 1  | 20.0  | 46.3  | 32.4  |
| SMCJ22AQ             | SMCJ22CAQ                 | 24.40                          | 26.90   | 1                | 1  | 22.0  | 42.3  | 35.5  |
| SMCJ24AQ             | SMCJ24CAQ                 | 26.70                          | 29.50   | 1                | 1  | 24.0  | 38.6  | 38.9  |
| SMCJ26AQ             | SMCJ26CAQ                 | 28.90                          | 31.90   | 1                | 1  | 26.0  | 35.6  | 42.1  |
| SMCJ28AQ             | SMCJ28CAQ                 | 31.10                          | 34.40   | 1                | 1  | 28.0  | 33.0  | 45.4  |
| SMCJ30AQ             | SMCJ30CAQ                 | 33.30                          | 36.80   | 1                | 1  | 30.0  | 31.0  | 48.4  |
| SMCJ33AQ             | SMCJ33CAQ                 | 36.70                          | 40.60   | 1                | 1  | 33.0  | 28.1  | 53.3  |
| SMCJ36AQ             | SMCJ36CAQ                 | 40.00                          | 44.20   | 1                | 1  | 36.0  | 25.8  | 58.1  |
| SMCJ40AQ             | SMCJ40CAQ                 | 44.40                          | 49.10   | 1                | 1  | 40.0  | 23.3  | 64.5  |



## SMCJ5.0AQ THRU SMCJ190CAQ

|           |            |       |       |   |   |      |      |       |
|-----------|------------|-------|-------|---|---|------|------|-------|
| SMCJ43AQ  | SMCJ43CAQ  | 47.80 | 52.80 | 1 | 1 | 43.0 | 21.6 | 69.4  |
| SMCJ45AQ  | SMCJ45CAQ  | 50.00 | 55.30 | 1 | 1 | 45.0 | 20.6 | 72.7  |
| SMCJ48AQ  | SMCJ48CAQ  | 53.30 | 58.90 | 1 | 1 | 48.0 | 19.4 | 77.4  |
| SMCJ51AQ  | SMCJ51CAQ  | 56.7  | 62.7  | 1 | 1 | 51   | 18.2 | 82.4  |
| SMCJ54AQ  | SMCJ54CAQ  | 60    | 66.3  | 1 | 1 | 54   | 17.2 | 87.1  |
| SMCJ58AQ  | SMCJ58CAQ  | 64.4  | 71.2  | 1 | 1 | 58   | 16.0 | 93.6  |
| SMCJ60AQ  | SMCJ60CAQ  | 66.7  | 73.7  | 1 | 1 | 60   | 15.5 | 96.8  |
| SMCJ64AQ  | SMCJ64CAQ  | 71.1  | 78.6  | 1 | 1 | 64   | 14.6 | 103   |
| SMCJ70AQ  | SMCJ70CAQ  | 77.8  | 86    | 1 | 1 | 70   | 13.3 | 113   |
| SMCJ75AQ  | SMCJ75CAQ  | 83.3  | 92.1  | 1 | 1 | 75   | 12.4 | 121   |
| SMCJ78AQ  | SMCJ78CAQ  | 86.7  | 95.8  | 1 | 1 | 78   | 11.9 | 126   |
| SMCJ80AQ  | SMCJ80CAQ  | 88.8  | 97.6  | 1 | 1 | 80   | 11.6 | 129.6 |
| SMCJ85AQ  | SMCJ85CAQ  | 94.4  | 104   | 1 | 1 | 85   | 10.9 | 137   |
| SMCJ90AQ  | SMCJ90CAQ  | 100   | 111   | 1 | 1 | 90   | 10.3 | 146   |
| SMCJ100AQ | SMCJ100CAQ | 111   | 123   | 1 | 1 | 100  | 9.3  | 162   |
| SMCJ110AQ | SMCJ110CAQ | 122   | 135   | 1 | 1 | 110  | 8.5  | 177   |
| SMCJ120AQ | SMCJ120CAQ | 133   | 147   | 1 | 1 | 120  | 7.8  | 193   |
| SMCJ130AQ | SMCJ130CAQ | 144   | 159   | 1 | 1 | 130  | 7.2  | 209   |
| SMCJ140AQ | SMCJ140CAQ | 155   | 171   | 1 | 1 | 140  | 6.6  | 226.8 |
| SMCJ150AQ | SMCJ150CAQ | 167   | 185   | 1 | 1 | 150  | 6.2  | 243   |
| SMCJ160AQ | SMCJ160CAQ | 178   | 197   | 1 | 1 | 160  | 5.8  | 259   |
| SMCJ170AQ | SMCJ170CAQ | 189   | 209   | 1 | 1 | 170  | 5.5  | 275   |
| SMCJ180AQ | SMCJ180CAQ | 200   | 220   | 1 | 1 | 180  | 5.1  | 291.6 |
| SMCJ190AQ | SMCJ190CAQ | 211   | 232   | 1 | 1 | 190  | 4.9  | 307.8 |

### ■ Thermal Characteristics (Ta=25°C Unless otherwise specified)

| PARAMETER                   | SYMBOL                 | UNIT | Conditions          | VALUE |
|-----------------------------|------------------------|------|---------------------|-------|
| Thermal Resistance(Typical) | $R_{\theta J-A}^{(9)}$ | °C/W | junction to ambient | 75    |
|                             | $R_{\theta J-L}$       | °C/W | junction to lead    | 15    |

Notes:

- (1) Non-repetitive current pulse, per Fig.3 and derated above  $T_J = 50^\circ\text{C}$  per Fig.2.
- (2) Mounted on 0.31 x 0.31" (8.0 x 8.0 mm) copper pads to each terminal
- (3) Measured on 8.3ms single half sine-wave or equivalent square wave,duty cycle=4 pulses per minute maximum.
- (4)  $V_F=3.5\text{V}$  Max for devices of  $V_{BR}\leq 220\text{V}$ .
- (5) Pulse Test:  $t_p\leq 50\text{ms}$ .



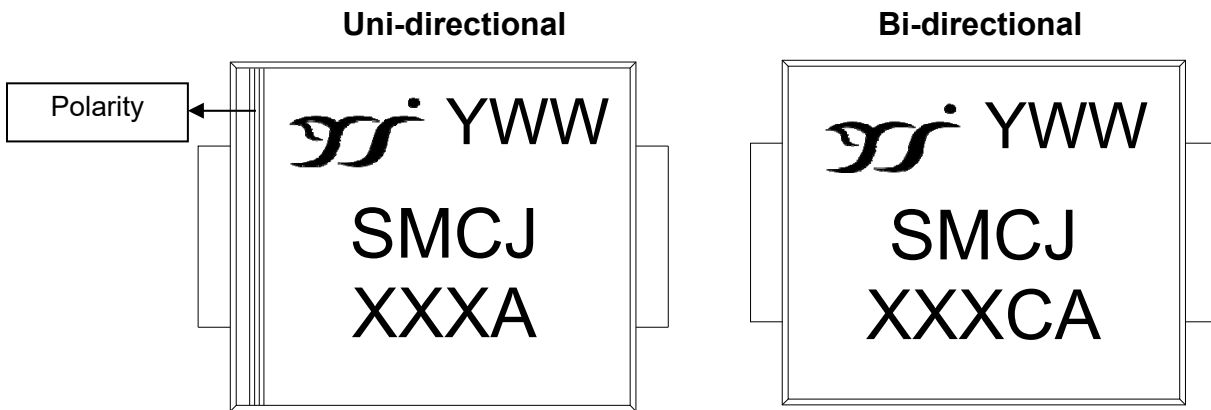
# SMCJ5.0AQ THRU SMCJ190CAQ

- (6) For bi-directional types having  $V_{RWM}$  of 10 V and less, the IR limit is doubled.
- (7) Surge current waveform per Fig.3 and derated per Fig.2.
- (8) For the bi-directional SMCJ5.0CAQ, the maximum  $V_{BR}$  is 7.25 V.
- (9) Mounted on minimum recommended pad layout.

## Ordering Information (Example)

| PREFERRED P/N | PACKAGE CODE | UNIT WEIGHT(g)    | MINIMUM PACKAGE(pcs) | OUTER CARTON QUANTITY(pcs) | DELIVERY MODE |
|---------------|--------------|-------------------|----------------------|----------------------------|---------------|
| SMCJ SERIES   | F1           | Approximate 0.257 | 3000                 | 42000                      | 13" reel      |

## Marking Information



**Note:**

1. All marking is at middle of the product body
2. All marking is in laser printing
3. XXX is marking code, like 190A/190C marking code is 190
4. Body color: Black
5. YWW is date code, "Y" is year. "WW" is week.

For instance:  
 The 17<sup>th</sup> week of 2021, date code is 117  
 The 17<sup>th</sup> week of 2022, date code is 217

## Characteristics(Typical)

Fig.1 Peak Pulse Power Rating Curve

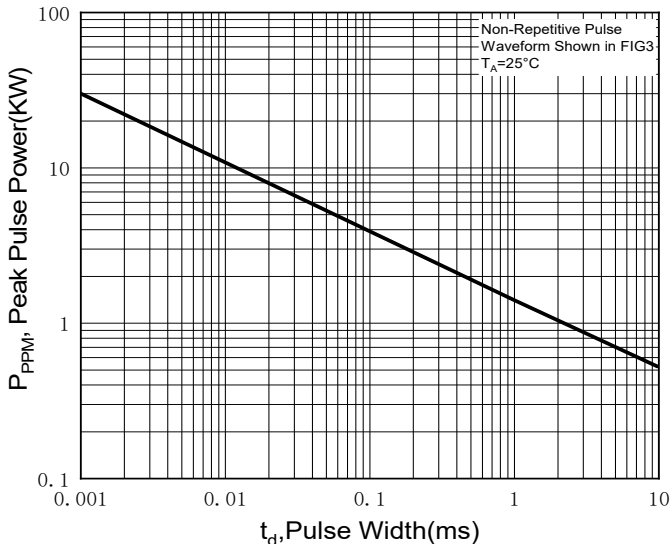
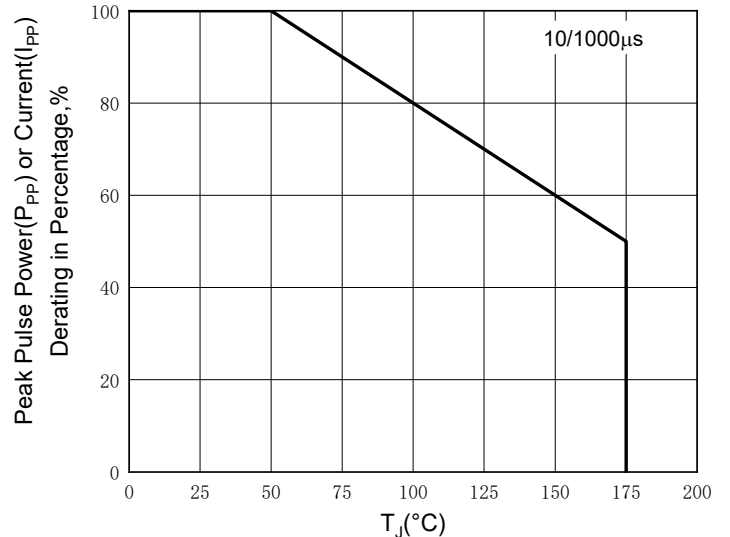


Fig.2 Pulse Power or Current vs. Initial Junction Temperature





# SMCJ5.0AQ THRU SMCJ190CAQ

Fig.3 Pulse Waveform

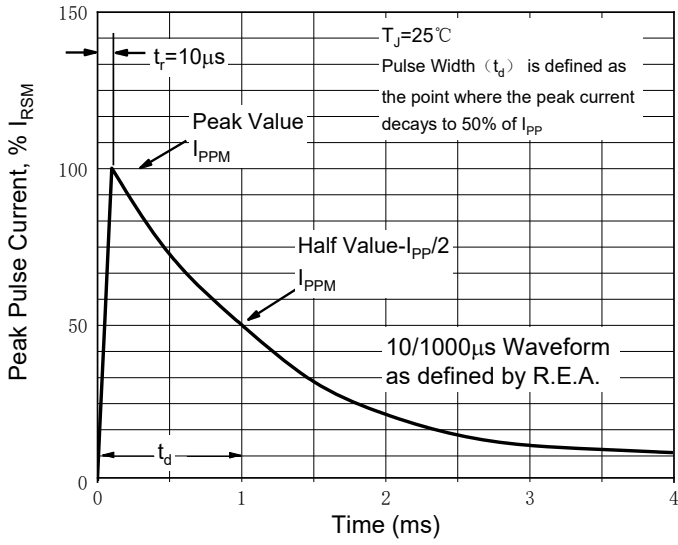


Fig.4 Typical Transient Thermal Impedance

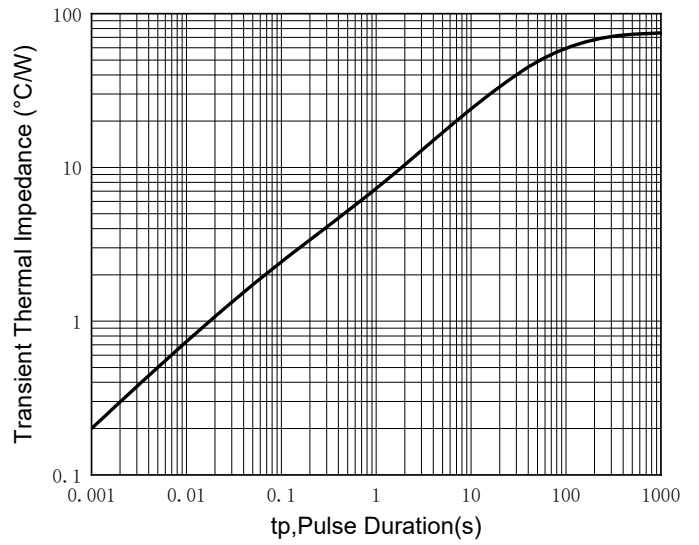


Fig.5 Maximum Non-Repetitive Forward Surge Current

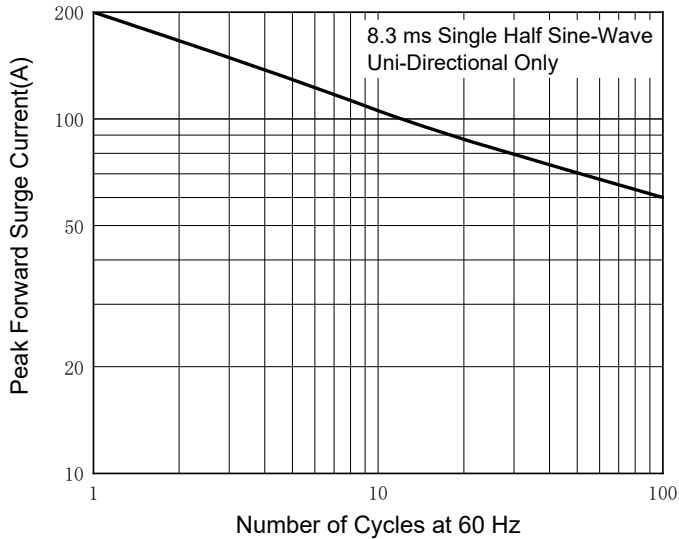
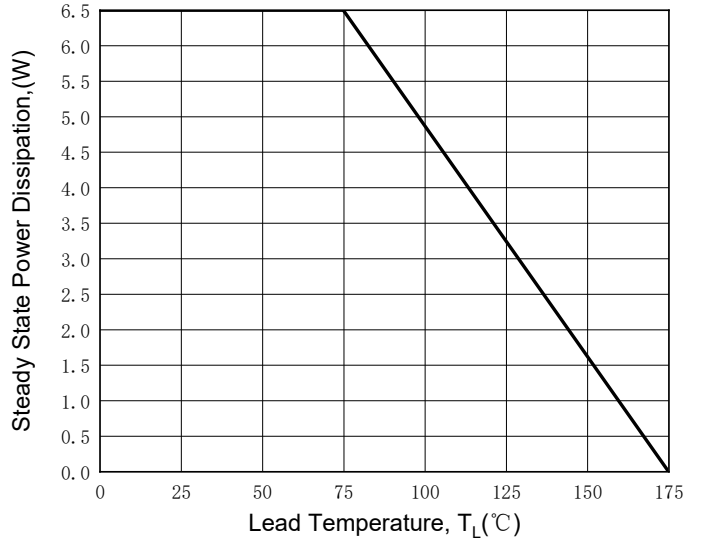
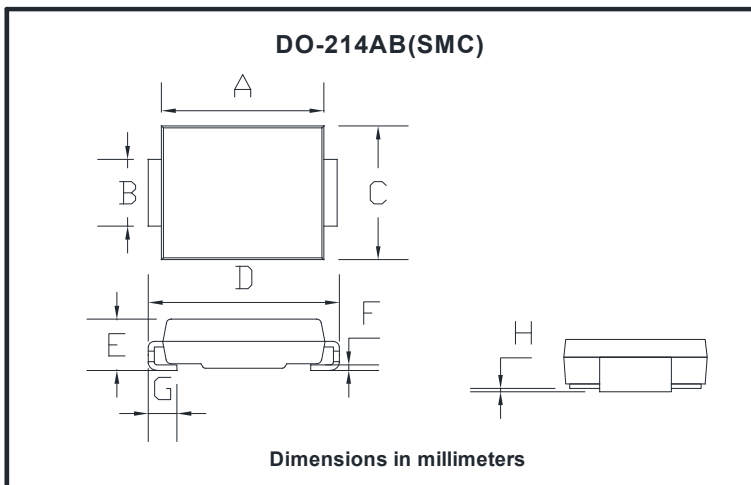


Fig.6 Steady State Power Derating Curve



## ■ Outline Dimensions

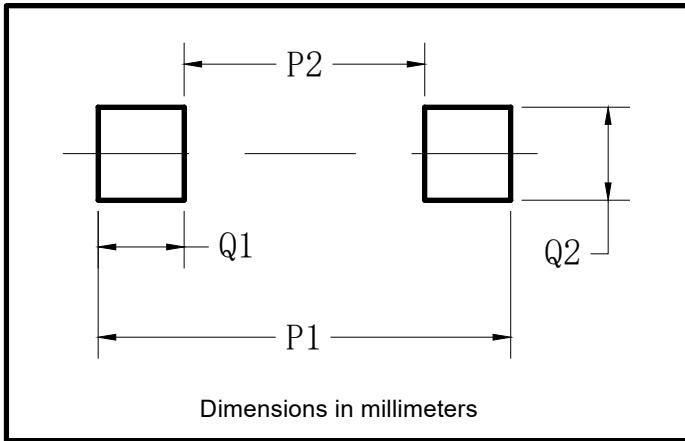


| DO-214AB (SMC) |      |      |
|----------------|------|------|
| Dim            | Min  | Max  |
| A              | 6.60 | 7.11 |
| B              | 2.85 | 3.27 |
| C              | 5.59 | 6.22 |
| D              | 7.75 | 8.13 |
| E              | 1.99 | 2.61 |
| F              | 0.15 | 0.31 |
| G              | 0.76 | 1.52 |
| H              | 0.05 | 0.20 |



## SMCJ5.0AQ THRU SMCJ190CAQ

### ■ Suggested pad layout



| Dim | Typ  |
|-----|------|
| P1  | 9.9  |
| P2  | 3.84 |
| Q1  | 3.03 |
| Q2  | 3.82 |



## SMCJ5.0AQ THRU SMCJ190CAQ

---

### Disclaimer

The information presented in this document is for reference only. Yangzhou Yangjie Electronic Technology Co., Ltd. reserves the right to make changes without notice for the specification of the products displayed herein to improve reliability, function or design or otherwise.

The product listed herein is designed to be used with automotive electronics, are not designed for use in medical, lifesaving, lifesustaining, or military, Yangjie or anyone on its behalf, assumes no responsibility or liability for any damages resulting from such improper use of sale.

This publication supersedes & replaces all information previously supplied. For additional information, please visit our website [http:// www.21yangjie.com](http://www.21yangjie.com) , or consult your nearest Yangjie's sales office for further assistance.

## X-ON Electronics

Largest Supplier of Electrical and Electronic Components

*Click to view similar products for [ESD Suppressors / TVS Diodes](#) category:*

*Click to view products by [Yangjie](#) manufacturer:*

Other Similar products are found below :

[60KS200C](#) [D18V0L1B2LP-7B](#) [D5V0F4U5P5-7](#) [NTE4902](#) [P4KE27CA](#) [P6KE11CA](#) [P6KE8.2A](#) [SA60CA](#) [SA64CA](#) [SMBJ12CATR](#)  
[SMBJ33CATR](#) [SMBJ6.5A](#) [SMBJ8.0A](#) [ESD101-B1-02ELS E6327](#) [ESD112-B1-02EL E6327](#) [ESD7451N2T5G](#) [19180-510](#) [CPDT-5V0USP-](#)  
[HF](#) [3.0SMCJ33CA-F](#) [3.0SMCJ36A-F](#) [HSPC16701B02TP](#) [JANTX1N6126A](#) [D3V3Q1B2DLP3-7](#) [D55V0M1B2WS-7](#) [SCM1293A-04SO](#)  
[ESD200-B1-CSP0201 E6327](#) [SM12-7](#) [CEN955 W/DATA](#) [VESD12A1A-HD1-GS08](#) [CPDQC5V0-HF](#) [D1213A-01LP4-7B](#) [ESD101-B1-02EL](#)  
[E6327](#) [AOZ8808DI-03](#) [5KP15A](#) [5KP48A](#) [5KP90A](#) [ESD3V3D7-TP](#) [15KPA36A-LF](#) [P4KE56CA](#) [P4KE68A](#) [P4KE91CATR](#) [P6KE120A](#)  
[P6KE13CA](#) [P6KE43CA](#) [P6KE6.8CA](#) [P6KE8.2](#) [P6SMBJ20CA](#) [JANTX1N6072A](#) [SR2835ESKG](#) [SA90CA](#)