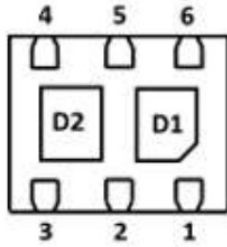
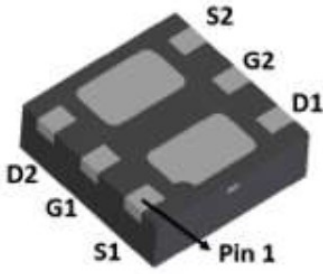
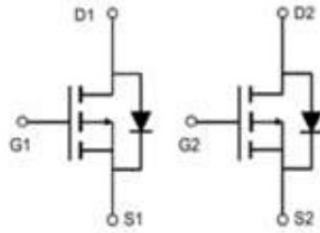


P-Channel Enhancement Mode Field Effect Transistor



DFN2020-6L



Product Summary

- V_{DS} -20V
- I_D -4A
- $R_{DS(ON)}$ (at $V_{GS}=-4.5V$) <51mohm
- $R_{DS(ON)}$ (at $V_{GS}=-2.5V$) <67mohm
- $R_{DS(ON)}$ (at $V_{GS}=-1.8V$) <91mohm
- 100% ∇V_{DS} Tested

General Description

- Trench Power LV MOSFET technology
- Low $R_{DS(ON)}$
- Low Gate Charge

Applications

- Video monitor
- Power management

■ Absolute Maximum Ratings ($T_A=25^\circ\text{C}$ unless otherwise noted)

Parameter		Symbol	Limit	Unit
Drain-source Voltage		V_{DS}	-20	V
Gate-source Voltage		V_{GS}	± 10	V
Drain Current	$T_A=25^\circ\text{C}$	I_D	-4	A
	$T_A=70^\circ\text{C}$		-3.2	
Pulsed Drain Current ^A		I_{DM}	-16	A
Total Power Dissipation	$T_A=25^\circ\text{C}$	P_D	1.3	W
	$T_A=70^\circ\text{C}$		0.8	
Thermal Resistance Junction-to-Ambient ^B		$R_{\theta JA}$	96	$^\circ\text{C}/\text{W}$
Junction and Storage Temperature Range		T_J, T_{STG}	-55~+150	$^\circ\text{C}$

■ Ordering Information (Example)

PREFERRED P/N	PACKING CODE	Marking	MINIMUM PACKAGE(pcs)	INNER BOX QUANTITY(pcs)	OUTER CARTON QUANTITY(pcs)	DELIVERY MODE
YJQ2301A	F1	2301	3000	30000	120000	7" reel



YJQ2301A

■ Electrical Characteristics ($T_J=25^\circ\text{C}$ unless otherwise noted)

Parameter	Symbol	Conditions	Min	Typ	Max	Units
Static Parameter						
Drain-Source Breakdown Voltage	BV_{DSS}	$V_{GS}=0V, I_D=-250\mu A$	-20			V
Zero Gate Voltage Drain Current	I_{DSS}	$V_{DS}=-20V, V_{GS}=0V$			-1	μA
Gate-Body Leakage Current	I_{GSS}	$V_{GS}=\pm 10V, V_{DS}=0V$			± 100	nA
Gate Threshold Voltage	$V_{GS(th)}$	$V_{DS}=V_{GS}, I_D=-250\mu A$	-0.4	-0.62	-1.0	V
Static Drain-Source On-Resistance	$R_{DS(on)}$	$V_{GS}=-4.5V, I_D=-3.7A$		42	51	m Ω
		$V_{GS}=-2.5V, I_D=-3A$		55	67	
		$V_{GS}=-1.8V, I_D=-2.5A$		76	91	
Diode Forward Voltage	V_{SD}	$I_S=-3.4A, V_{GS}=0V$			-1.2	V
Dynamic Parameters						
Input Capacitance	C_{iss}	$V_{DS}=-10V, V_{GS}=0V, f=1\text{MHz}$		438		pF
Output Capacitance	C_{oss}			76		
Reverse Transfer Capacitance	C_{rss}			62		
Switching Parameters						
Total Gate Charge	Q_g	$V_{GS}=-10V, V_{DS}=-10V, I_D=-3.7A$		5.41		nC
Gate-Source Charge	Q_{gs}			1.17		
Gate-Drain Charge	Q_{gd}			1.24		
Reverse Recovery Charge	Q_{rr}	$I_F=-3.7A, di/dt=100A/\mu s$		4		ns
Reverse Recovery Time	t_{rr}			24.5		
Turn-on Delay Time	$t_{D(on)}$	$V_{GS}=-4.5V, V_{DS}=-10V, I_D=-1A$ $R_{GEN}=3\Omega$		6.4		ns
Turn-on Rise Time	t_r			21.8		
Turn-off Delay Time	$t_{D(off)}$			37.4		
Turn-off fall Time	t_f			34		

A. Pulse Test: Pulse Width $\leq 300\mu s$, Duty cycle $\leq 2\%$.

B. $R_{\theta JA}$ is the sum of the junction-to-case and case-to-ambient thermal resistance, where the case thermal reference is defined as the solder mounting surface of the drain pins. $R_{\theta JC}$ is guaranteed by design, while $R_{\theta JA}$ is determined by the board design. The maximum rating presented here is based on mounting on a 1 in 2 pad of 2oz copper.

■ Typical Performance Characteristics

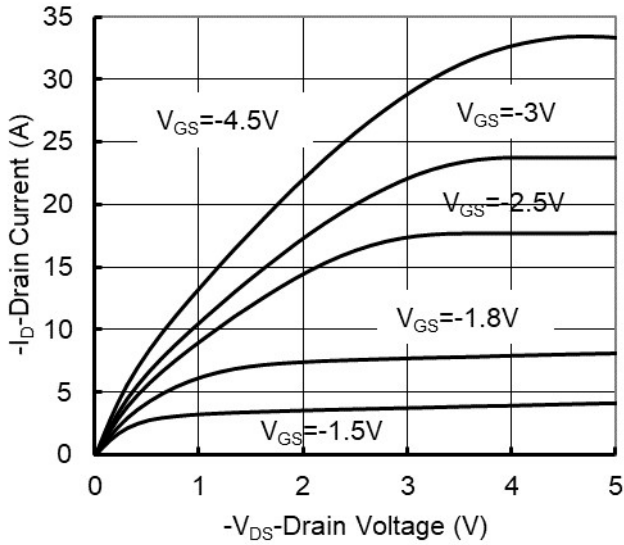


Figure1. Output Characteristics

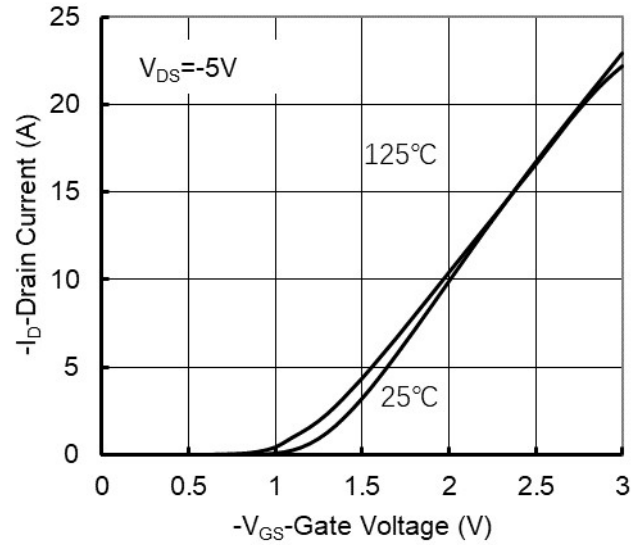


Figure2. Transfer Characteristics

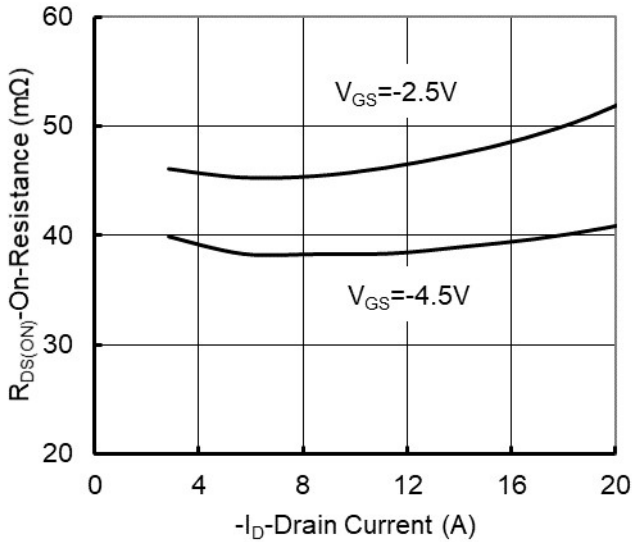


Figure 3: On-Resistance vs. Drain Current and Gate Voltage

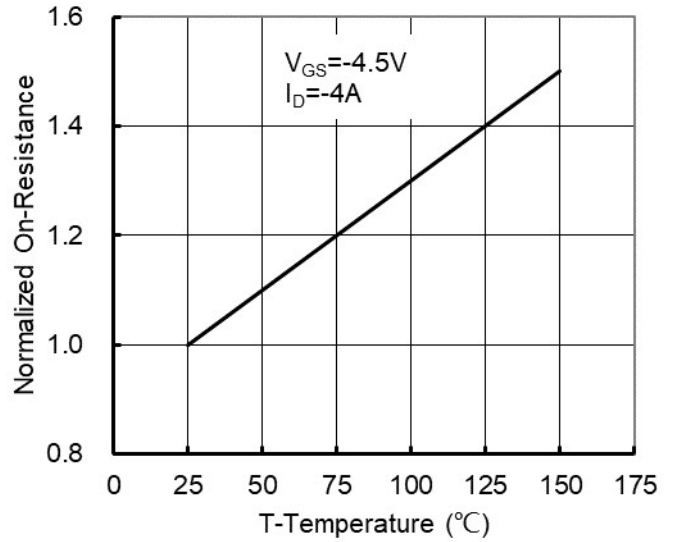


Figure 4: On-Resistance vs. Junction Temperature

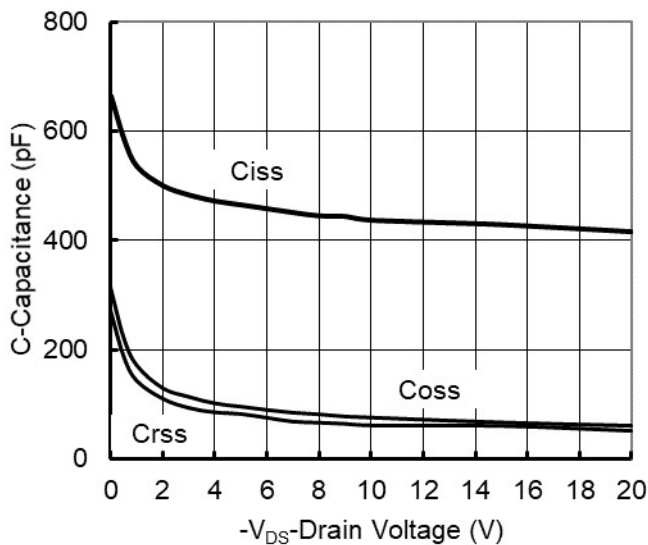


Figure5. Capacitance Characteristics

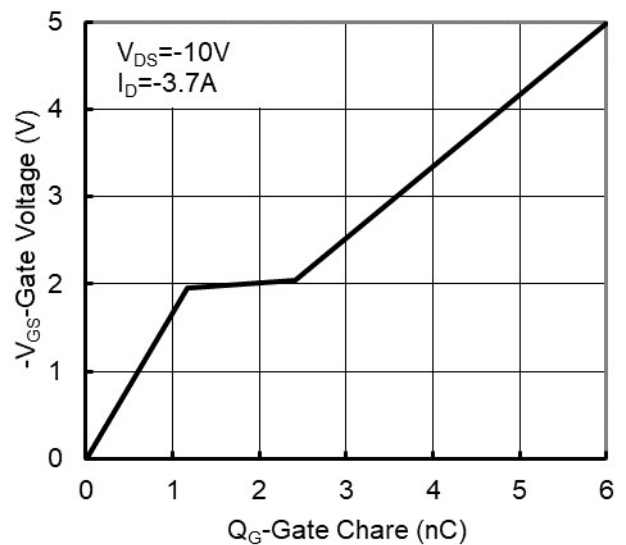


Figure6. Gate Charge



YJQ2301A

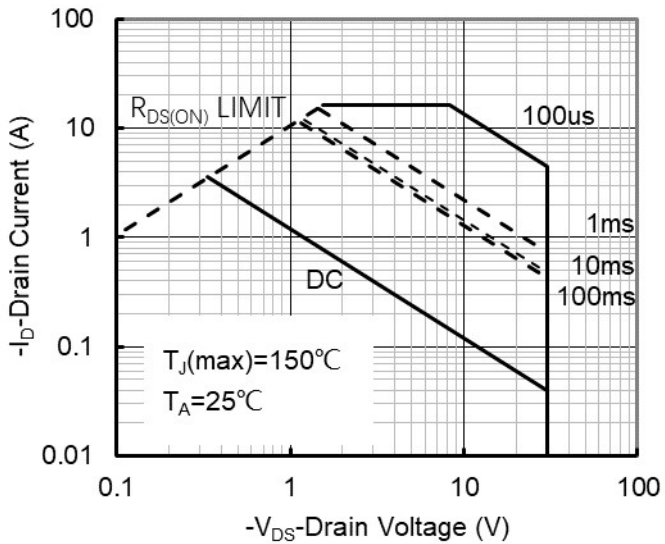


Figure7. Safe Operation Area

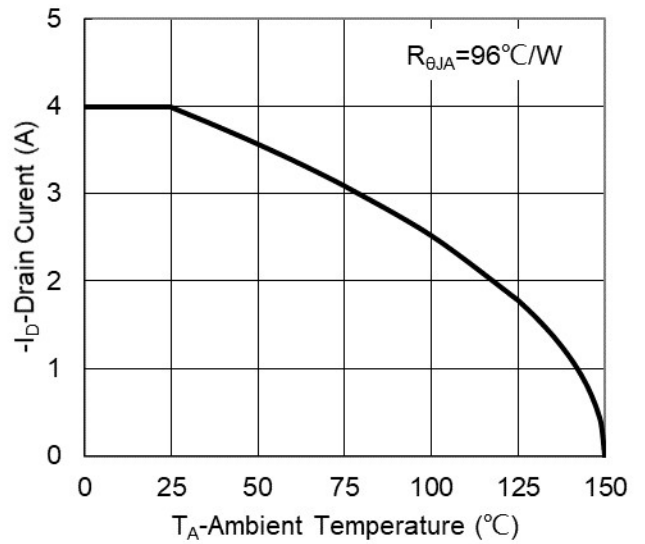


Figure8. Maximum Continuous Drain Current vs Ambient Temperature

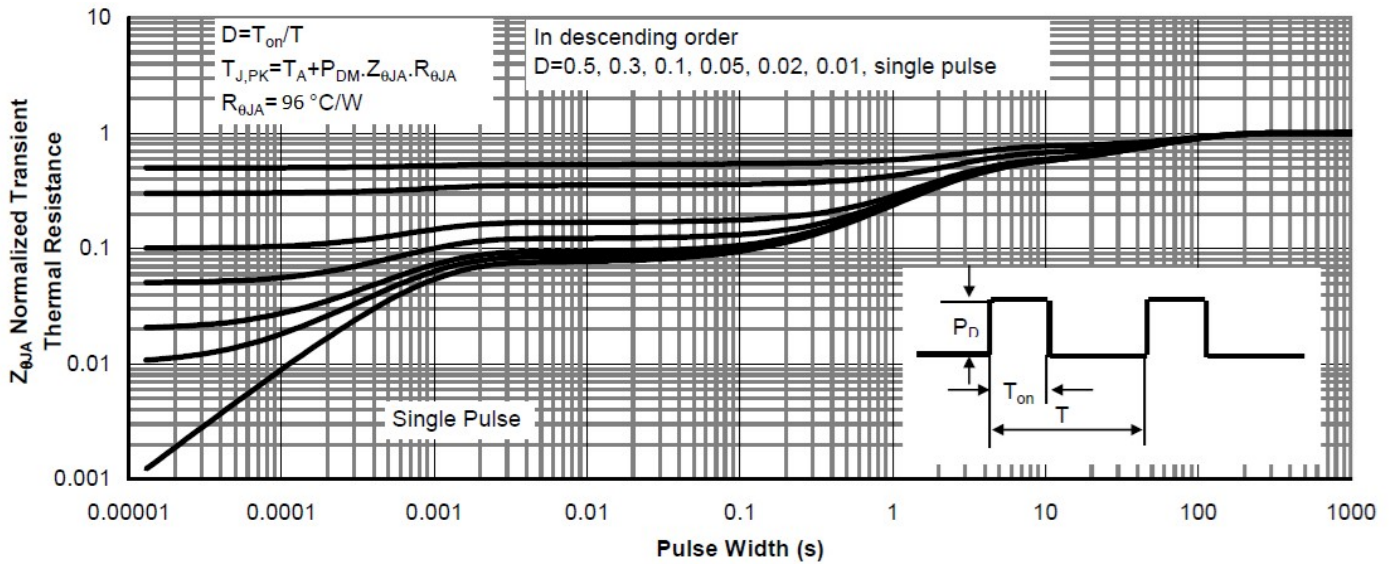
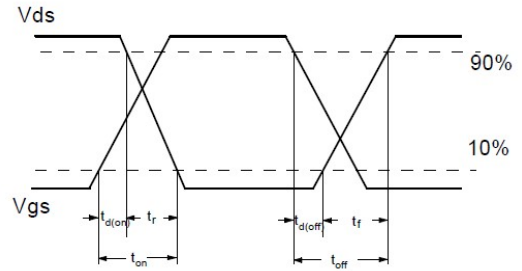
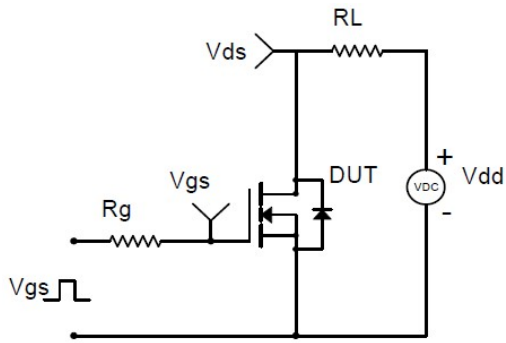
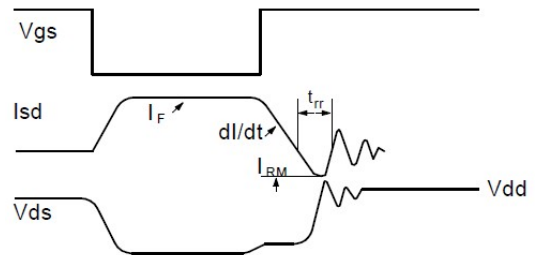
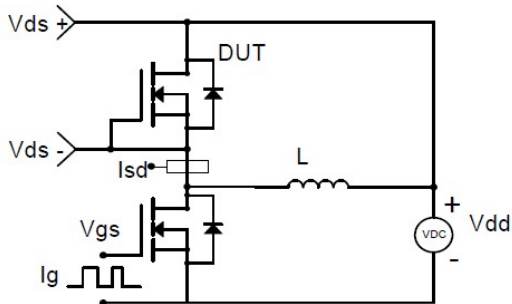


Figure9. Normalized Maximum Transient Thermal Impedance



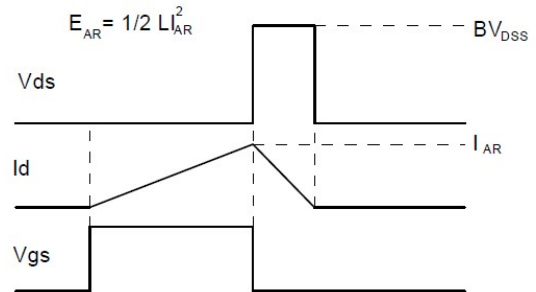
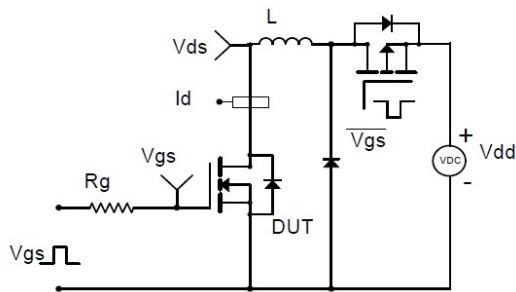
Resistive Switching Test Circuit & Waveforms



Diode Recovery Test Circuit & Waveforms



Gate Charge Test Circuit & Waveform

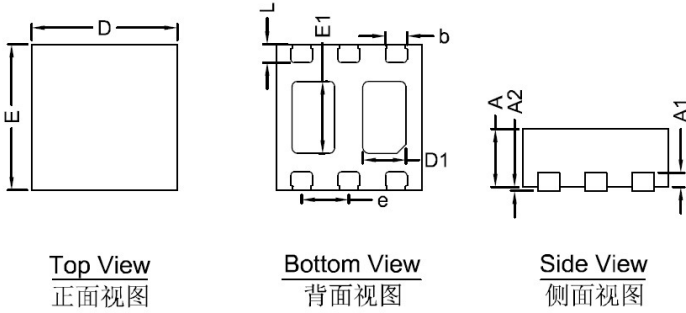


Unclamped Inductive Switching (UIS) Test Circuit & Waveforms

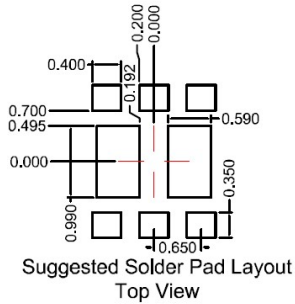


YJQ2301A

■ DFN2020-6L Package Information



SYMBOL	MILLIMETER		
	MIN	NOM	MAX
D	1.90	2.00	2.10
E	1.90	2.00	2.10
A	0.70	0.80	0.90
A1	0.20 BSC		
A2			0.10
D1	0.49	0.59	0.69
E1	0.89	0.99	1.09
L	0.15	0.25	0.35
b	0.20	0.30	0.40
e	0.65 BSC		



- Note:
1. Controlling dimension: in millimeters.
 2. General tolerance: $\pm 0.10\text{mm}$.
 3. The pad layout is for reference purposes only.



YJQ2301A

Disclaimer

The information presented in this document is for reference only. Yangzhou Yangjie Electronic Technology Co., Ltd. reserves the right to make changes without notice for the specification of the products displayed herein to improve reliability, function or design or otherwise.

The product listed herein is designed to be used with ordinary electronic equipment or devices, and not designed to be used with equipment or devices which require high level of reliability and the malfunction of which would directly endanger human life (such as medical instruments, transportation equipment, aerospace machinery, nuclear-reactor controllers, fuel controllers and other safety devices), Yangjie or anyone on its behalf, assumes no responsibility or liability for any damages resulting from such improper use of sale.

This publication supersedes & replaces all information previously supplied. For additional information, please visit our website [http:// www.21yangjie.com](http://www.21yangjie.com) , or consult your nearest Yangjie's sales office for further assistance.

X-ON Electronics

Largest Supplier of Electrical and Electronic Components

Click to view similar products for [MOSFET](#) category:

Click to view products by [Yangjie](#) manufacturer:

Other Similar products are found below :

[614233C](#) [648584F](#) [MCH3443-TL-E](#) [MCH6422-TL-E](#) [NTNS3A92PZT5G](#) [IRFD120](#) [IRFF430](#) [JANTX2N5237](#) [2N7000](#) [AOD464](#)
[2SK2267\(Q\)](#) [2SK2545\(Q,T\)](#) [405094E](#) [423220D](#) [MIC4420CM-TR](#) [VN1206L](#) [614234A](#) [715780A](#) [SSM6J414TU,LF\(T](#) [751625C](#)
[IPS70R2K0CEAKMA1](#) [BSF024N03LT3 G](#) [PSMN4R2-30MLD](#) [TK31J60W5,S1VQ\(O](#) [2SK2614\(TE16L1,Q\)](#) [DMN1017UCP3-7](#)
[EFC2J004NUZTDG](#) [FCAB21350L1](#) [P85W28HP2F-7071](#) [DMN1053UCP4-7](#) [NTE2384](#) [NTE2969](#) [NTE6400A](#) [DMC2700UDMQ-7](#)
[DMN2080UCB4-7](#) [DMN61D9UWQ-13](#) [US6M2GTR](#) [DMN31D5UDJ-7](#) [SSM6P54TU,LF](#) [DMP22D4UFO-7B](#) [IPS60R3K4CEAKMA1](#)
[DMN1006UCA6-7](#) [DMN16M9UCA6-7](#) [STF5N65M6](#) [IRF40H233XTMA1](#) [IPSA70R950CEAKMA1](#) [IPSA70R2K0CEAKMA1](#) [STU5N65M6](#)
[C3M0021120D](#) [DMN6022SSD-13](#)