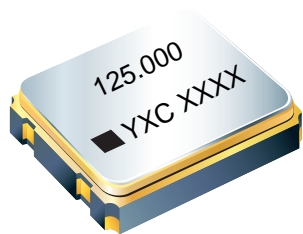


YSO321SR



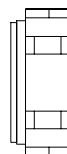
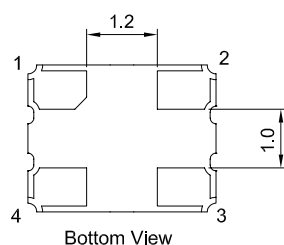
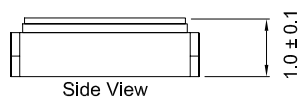
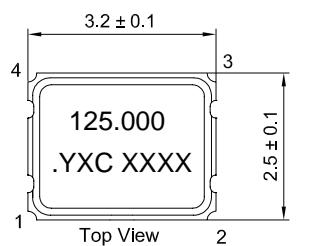
Features

- External dimensions: 3.2 x 2.5 x 1.0 mm.
- Frequency range: 1MHz ~ 150MHz.
- Ultra Small SMD seam sealed clock crystal oscillator units.
- Applications: WLAN, Bluetooth, DSC, DSL and other IT product.
- Tri-state function available

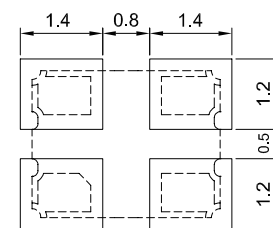
Electrical Specifications

Item / Type	YSO321SR
Output Frequency Range	1 ~ 150 MHz
Output Type	CMOS
Supply Voltage	1.8V/2.5V/3.3V/5V, or specify
Oscillation Mode	Fundamental / 3rd Overtone
Frequency Tolerance	± 20ppm, ± 25ppm, or specify
Output Load	15 pF, or specify
Operating Temperature Range	- 20 ~ + 70 °C , - 40 ~ + 85 °C , or specify
Storage Temperature Range	- 40 ~ + 85 °C , - 55 ~ + 125 °C
Voltage Vol (Max.) / Vol (Min.)	90%Vdd min./10%Vdd max
Symmetry	40 ~ 60 % Standard
Rise (Tr) / Fall (Tf) Time	8 ns Max.
Start-up Time	10 ms Max.
Supply Current	See Below
Frequency Aging (at 25 °C)	± 3 ppm / year Max.

Dimensions



引脚功能定义		
引脚	功能	定义
1	E/D	三态 / 无三态
2	GND	接地
3	OUTPUT	输出
4	Vdd	电源电压



Top View Suggested Layout

Units: mm

YSO321SR



★ PART NUMBER GUIDE 部件号示例 e.g. O3225125MEEA4SC

YSO321SR=3.2×2.5 SMD SEAM TYPE

Quartz Crystal Oscillator	Dimensions	Frequency (Hz)	Supply voltage (V)	Frequency Stability Overall (ppm)	output	Pin	Material	Operating Temp. Range
O	3225	125M	E	E	A	4	S	C

Supply voltage	
A	1.8V
E	3.3V
F	5.0V

Frequency tolerance	
D	±20PPM
E	±25PPM
H	±50PPM

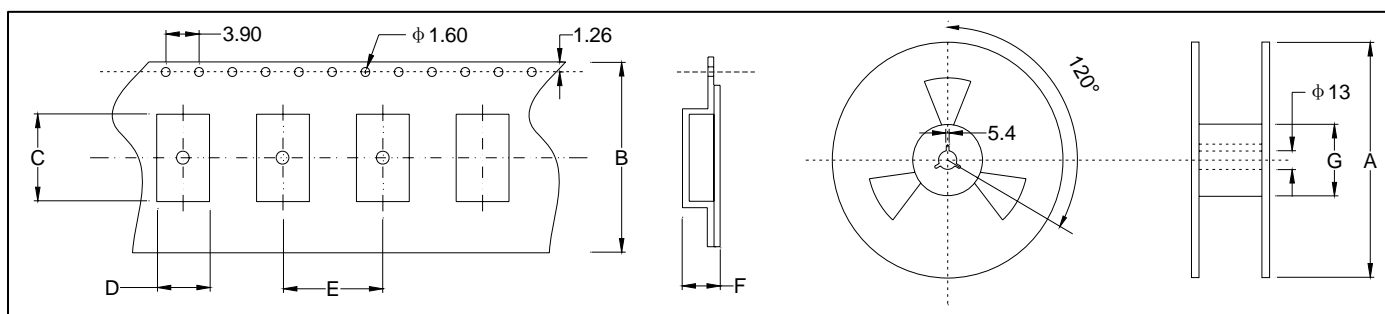
Operating temperature	
C	-20 to 70°C
I	-40 to 85°C

Output	
A	CMOS

★ INPUT CURRENT 工作电流

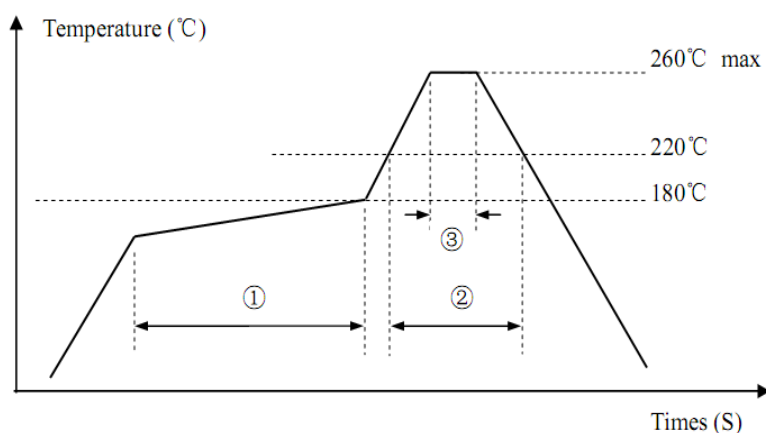
Vdc=5.0V		Vdc=1.8~3.3V	
15pF only		15pF only	
1.0 ~ 35.999 MHz	25 mA max	1.0 ~ 35.999 MHz	20mA max
36.0 ~ 69.999 MHz	60mA max	36.0 ~ 69.999 MHz	40mA max
70.0 ~ 150 MHz	80mA max	70.0 ~ 150 MHz	60mA max

★ TAPING SPECIFICATION (Unit: mm) 编带规格



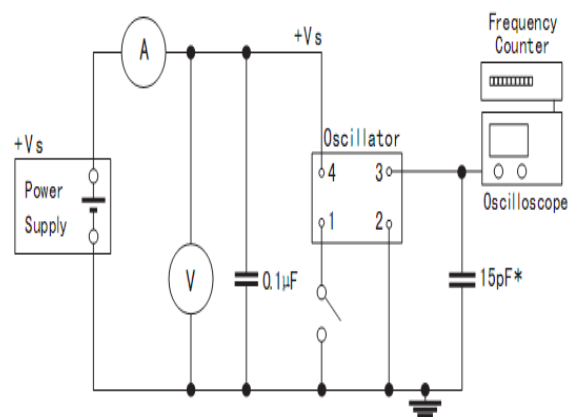
	A	B	C	D	E	F	G
OSC-SMD3225	180±2.0	12.1±0.3	4.03±0.15	3.11±0.15	3.85±0.1	1.38±0.1	61.6±1.0
3000 pcs per reel							

★ REFLOW SOLDERING PROFILE 回流焊特性



Pb free reflow	①	Preheat	160~180°C	120sec. max
A	②	Primary heat	220°C	60sec. max
	③	Peak	260°C	10sec. max.

★ Test Circuit 测试电路



X-ON Electronics

Largest Supplier of Electrical and Electronic Components

Click to view similar products for [Standard Clock Oscillators](#) category:

Click to view products by [Yangxing](#) manufacturer:

Other Similar products are found below :

[601252](#) [F335-25](#) [F535L-33.333](#) [F535L-50](#) [ASV-20.000MHZ-LR-T](#) [ECS-2018-160-BN-TR](#) [MXO45HS-2C-66.6666MHZ](#) [SiT1602BI-22-33E-50.000000E](#) [SiT8209AI-32-33E-125.000000](#) [SIT8918AA-11-33S-50.000000G](#) [SM4420TEV-40.0M-T1K](#) [SMA4306-TL-H](#) [F335-24](#) [F335-40](#) [F535L-10](#) [F535L-12](#) [F535L-16](#) [F535L-24](#) [F535L-27](#) [F535L-48](#) [PE7744DW-100.0M](#) [ASF1-3.686MHZ-N-K-S](#) [ASV-4.000MHZ-LCS-T](#) [XLH735025.000JU4I8](#) [XLP725125.000JU6I8](#) [XO57CTECNA3M6864](#) [ECS-2100A-147.4](#) [601251](#) [EP16E7E2H26.000MTR](#) [SiT8503AI-18-33E-0.200000X](#) [SIT8918AA-11-33S-16.000000G](#) [SIT9122AI2C233E300.000000X](#) [XO37CTECNA20M](#) [XO3003](#) [9120AC-2D2-33E212.500000](#) [9102AI-243N25E100.00000](#) [8208AC-82-18E-25.00000](#) [ASDK2-32.768KHZ-LR-T3](#) [8008AI-72-XXE-24.545454E](#) [8004AC-13-33E-133.33000X](#) [AS-4.9152-16-SMD-TR](#) [ASFL1-48.000MHZ-LC-T](#) [632L3I004M00000](#) [SIT8920AM-31-33E-25.0000](#) [DSC1028DI2-019.2000](#) [9121AC-2C3-25E100.00000](#) [9102AI-233N33E100.00000X](#) [9102AI-233N25E200.00000](#) [9102AI-232H25S125.00000](#) [9102AI-133N25E200.00000](#)