

Crystal Oscillator



YSO150HT High Temperature



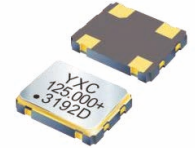
Applications

- Industrial Control
- IOT

Features

- Frequency Range: 1MHz ~ 125MHz
- Ultra Small SMD Seam Sealed Crystal Oscillator

- Package Size: 1.6*1.2, 2.0*1.6, 2.5*2.0, 3.2*2.5, 5.0*3.2, 7.0*5.0mm



Specifications (规格参数)

Item	Symbol	Specifications
Frequency Range (额定频率范围)	f ₀	1MHz ~ 125MHz, or specify
Supply Voltage (电源电压)	VDD	1.8V ~ 3.3V
Output Type (输出方式)	-	CMOS
Frequency Tolerance (频率偏差) (at 25°C)	f _{tol}	± 15ppm or specify
Output Load (输出负载)	L _{cmos}	15pF
Operating Temperature (工作温度)	T _{use}	-40~+105°C, -40~+125°C, or specify
Storage Temperature (储存温度)	T _{stg}	-55~+125°C
Frequency Versus Temperature Characteristics (频率-温度特性)	f _{tem}	± 30ppm, ± 50ppm, or specify
Output Voltage (输出电压)	V _{oh}	90%VDD Min
	V _{ol}	10%VDD Max
Duty Cycle (占空比)	SYM	45~55%
Start-up Time (启动时间)	t _{str}	3ms Max
Rise Time/Fall Time (上升沿/下降沿)	tr/tf	4ns Max
Phase Jitter [12 kHz ~ 20 MHz] (相位抖动)	tpj	0.7ps Max
Frequency Aging (老化) (at 25°C)	f _{age}	± 3ppm/year Max
Tri-State	Enable (High Voltage or Floating)	70% of VDD Min
	Disable (Low Voltage or GND)	30% of VDD Max

Current Consumption (消耗电流)

Power Dissipation Vcc=1.8~3.3V 15pF only					
Supply Voltage	1.000~40.000MHZ		41.000~54.000MHZ		55.000~100.000MHZ
	7050/5032/3225	2520/2016/1612	7050/5032/3225/2520	2016/1612	7050/5032/3225/2520/2016/1612
1.8V	4mA Max	4mA Max	9mA Max	10mA Max	35mA Max
2.5V	4.5mA Max		10mA Max		
3.3V	5mA Max		12mA Max		

Please contact us for current consumption for frequencies above 100MHz

Crystal Oscillator

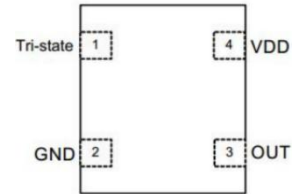
YSO150HT High Temperature



Pin Dimension (脚位尺寸)

Pin	#1	#2	#3	#4
FUNCTION	Tri-state	GND	OUTPUT	VDD

Pin Assignments



*The picture on the right is only for PIN function description.

Dimensions and Recommended Land Pattern (外观尺寸及推荐焊盘)

Dimensions(Unit: mm)	Recommended Land Pattern(Unit: mm)
<p>1.6*1.2mm</p>	
<p>2.0*1.6mm</p>	
<p>2.5*2.0mm</p>	

Crystal Oscillator



YSO150HT High Temperature



<p>3.2*2.5mm</p> <p>Top view: Overall width 3.2 ± 0.10, height 2.5 ± 0.10. Pin locations #1, #2, #3, #4. Marking area.</p> <p>Bottom view: Pin #1 to #4. Distances: 1.2, 0.9, 1.0, 0.65.</p> <p>Side view: Height 1.2 Max.</p>	<p>Pin spacing: 1.3, 0.8, 1.3. Pin height: 1.2. Pin width: 0.7.</p>
<p>5.0*3.2mm</p> <p>Top view: Overall width 5.0 ± 0.2, height 3.2 ± 0.1. Pin locations #1, #2, #3, #4. Marking area.</p> <p>Bottom view: Pin #1 to #4. Distances: 2.54 ± 0.1, 1.0, 1.2.</p> <p>Side view: Height 1.3 Max.</p>	<p>Pin spacing: 1.4. Pin height: 1.2. Pin width: 2.2. Pin distance: 2.54.</p>
<p>7.0*5.0mm</p> <p>Top view: Overall width 7.00 ± 0.15, height 5.0 ± 0.1. Pin locations #1, #2, #3, #4. Marking area.</p> <p>Bottom view: Pin #1 to #4. Distances: 1.4 ± 0.15, 0.6 ± 0.15, 5.08 ± 0.15, 2.6 ± 0.1.</p> <p>Side view: Height 1.5 Max.</p>	<p>Pin spacing: 3.28. Pin height: 2.0. Pin width: 2.2. Pin distance: 1.8.</p>

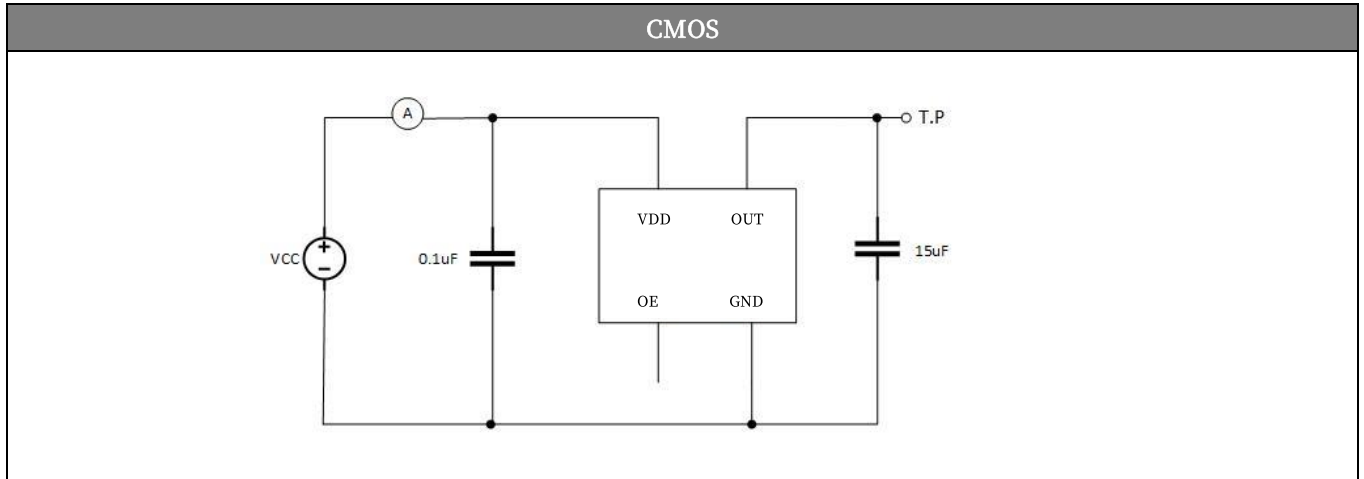
Crystal Oscillator



YSO150HT High Temperature



Test Circuit (测试电路)



X-ON Electronics

Largest Supplier of Electrical and Electronic Components

Click to view similar products for [Standard Clock Oscillators](#) category:

Click to view products by [Yangxing](#) manufacturer:

Other Similar products are found below :

[601252](#) [F335-25](#) [F535L-33.333](#) [F535L-50](#) [NBXHBA019LN1TAG](#) [SiT1602BI-22-33E-50.000000E](#) [SIT8918AA-11-33S-50.000000G](#)
[SM4420TEV-40.0M-T1K](#) [F335-24](#) [F335-40](#) [F535L-10](#) [F535L-12](#) [F535L-24](#) [F535L-27](#) [PE7744DW-100.0M](#) [ASF1-3.686MHZ-N-K-S](#) [ASV-](#)
[4.000MHZ-LCS-T](#) [XO57CTECNA3M6864](#) [601251](#) [SiT8503AI-18-33E-0.200000X](#) [SIT9122AI2C233E300.000000X](#) [9120AC-2D2-](#)
[33E212.500000](#) [9102AI-243N25E100.000000](#) [8208AC-82-18E-25.000000](#) [8008AI-72-XXE-24.545454E](#) [8004AC-13-33E-133.330000X](#) [AS-](#)
[4.9152-16-SMD-TR](#) [ASFL1-48.000MHZ-LC-T](#) [632L3I004M000000](#) [SIT8920AM-31-33E-25.000000](#) [DSC1028DI2-019.2000](#) [9121AC-2C3-](#)
[25E100.000000](#) [9102AI-233N33E100.000000X](#) [9102AI-233N25E200.000000](#) [9102AI-232H25S125.000000](#) [9102AI-133N25E200.000000](#) [9102AC-](#)
[283N25E200.000000](#) [9001AC-33-33E1-30.000000](#) [8103AC-13-33E-12.000000X](#) [3921AI-2CF-33NZ125.000000](#) [5730-1SF](#) [XUN736000.032768I](#)
[ASV-25.000MHZ-ECS-50-T](#) [EC3925ETTTS-100.000M TR](#) [SIT1602BC-83-33E-10.000000Y](#) [8003AI-12-33S-40.000000Y](#) [1602BI-13-33S-](#)
[19.200000E](#) [8208AI-2F-18E-25.000000X](#) [8103AI-83-33E-33.000000X](#) [8208AI-8F-33E-66.666666X](#)