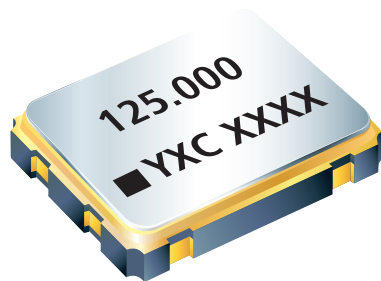


YSO752ST



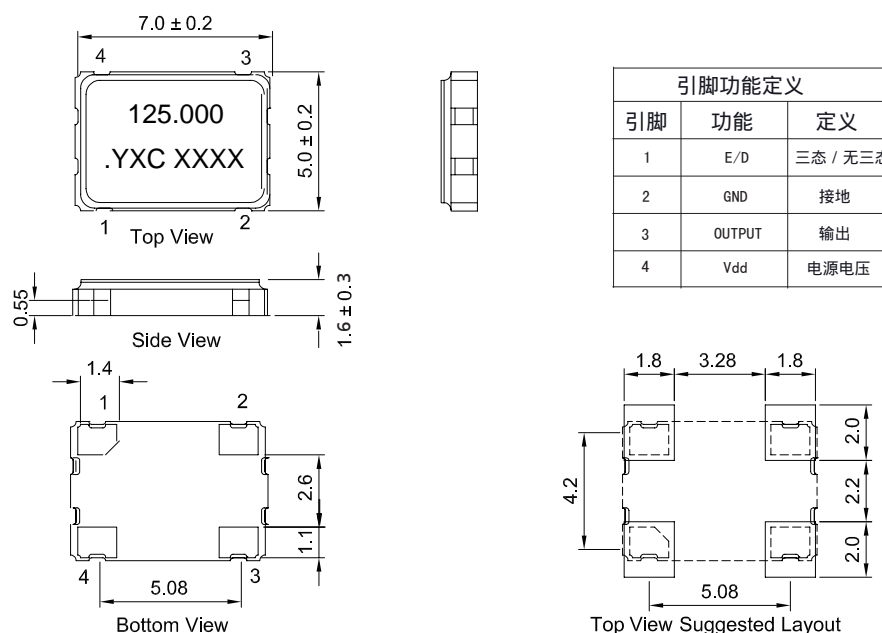
Features

- External dimensions: 7.5 x 5.0 x 1.6 mm.
- Frequency range: 1MHz ~ 150MHz.
- Smallest & Thinnest SMD package.
- Excellent temperature range, Best Reliability.
- Excellent total frequency stability.
- Applications: WLAN, Bluetooth, DSC, DSL, IP CAM, SSD, e-books and other IT product.

Electrical Specifications

Item / Type		YSO752ST			
Output Frequency Range		1~90MHz		90~150MHz	
Supply Voltage		1.8V	2.25~5.5V	1.6~3.6V	5.0V
Current Consumption (Max.)		18mA	46mA	48mA	80mA
Output Type		CMOS			
Oscillation Mode		Fundamental / 3rd Overtone			
Frequency Tolerance		± 20ppm, ± 25ppm, or specify			
Output Load		15 pF, or specify			
Operating Temperature Range		- 40 ~ + 85 °C, or specify			
Storage Temperature Range		- 55 ~ + 125 °C			
Voltage Vol (Max.) / Vol (Min.)		90%Vdd min./10%Vdd max			
Symmetry		45~55%DT,40/60~60/40%Svm			
Rise (Tr) / Fall (Tf) Time		10Max./8 ns Max.			
Start-up Time		10 ms Max.			
Aging (at 25 °C)		± 3 ppm / year Max.			
Phase Noise(Pn)		-125 Max. dBc/Hz @ 1kHz			
Three State Function	Enable Voltage	70%Vdd Min.			
	By Low Pressure	30%Vdd Max.			

Dimensions



Units: mm

YSO752ST



★ PART NUMBER GUIDE 部件号示例

e.g. O7050125MHEA4SI

YSO752ST=7.0×5.0 SMD SEAM TYPE

Quartz Crystal Oscillator	Dimensions	Frequency (Hz)	Supply voltage (V)	Frequency Stability Overall (ppm)	output	Pin	Material	Operating Temp. Range
O	7050	125M	H	E	A	4	S	I

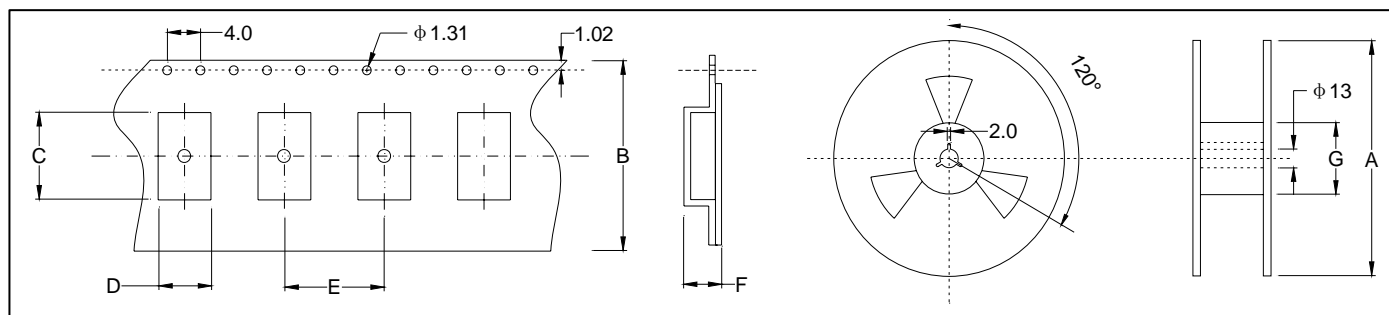
Supply voltage	
A	1.8V
E	3.3V
F	5.0V
G	3.3Vto5V
H	2.25Vto5.5V

Frequency tolerance	
D	±20PPM
E	±25PPM
H	±50PPM

Operating temperature	
C	-20 to 70°C
I	-40 to 85°C
F	-40 to 105°C
A	-40 to 125°C

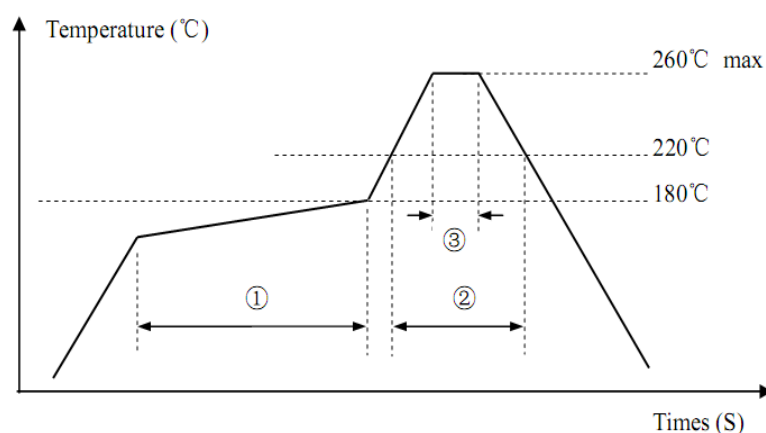
Output	
A	CMOS

★ TAPING SPECIFICATION (Unit: mm) 编带规格



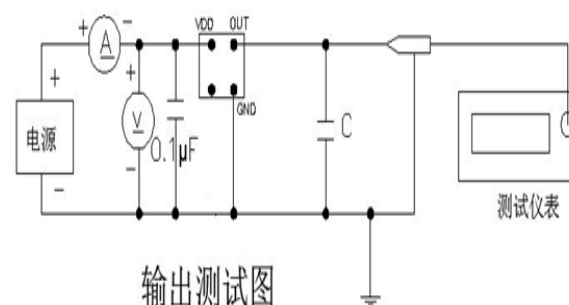
	A	B	C	D	E	F	G
OSC-SMD7050	178±2.0	16.0±0.3	8.40±0.15	5.80±0.15	7.88±0.1	1.90±0.1	58.0±1.0
1000 pcs per reel							

★ REFLOW SOLDERING PROFILE 回流焊特性



Pb free reflow				
A	①	Preheat	160~180°C	120sec. max
	②	Primary heat	220°C	60sec. max
	③	Peak	260°C	10sec. max.

★ Test Circuit 测试电路



X-ON Electronics

Largest Supplier of Electrical and Electronic Components

Click to view similar products for [Standard Clock Oscillators](#) category:

Click to view products by [Yangxing](#) manufacturer:

Other Similar products are found below :

[601252](#) [F335-25](#) [F535L-33.333](#) [F535L-50](#) [ASV-20.000MHZ-LR-T](#) [ECS-2018-160-BN-TR](#) [MXO45HS-2C-66.6666MHZ](#) [SiT1602BI-22-33E-50.000000E](#) [SiT8209AI-32-33E-125.000000](#) [SIT8918AA-11-33S-50.000000G](#) [SM4420TEV-40.0M-T1K](#) [SMA4306-TL-H](#) [F335-24](#) [F335-40](#) [F535L-10](#) [F535L-12](#) [F535L-16](#) [F535L-24](#) [F535L-27](#) [F535L-48](#) [PE7744DW-100.0M](#) [ASF1-3.686MHZ-N-K-S](#) [ASV-4.000MHZ-LCS-T](#) [XLH735025.000JU4I8](#) [XLP725125.000JU6I8](#) [XO57CTECNA3M6864](#) [ECS-2100A-147.4](#) [601251](#) [EP16E7E2H26.000MTR](#) [SiT8503AI-18-33E-0.200000X](#) [SIT8918AA-11-33S-16.000000G](#) [SIT9122AI2C233E300.000000X](#) [XO37CTECNA20M](#) [XO3003](#) [9120AC-2D2-33E212.500000](#) [9102AI-243N25E100.00000](#) [8208AC-82-18E-25.00000](#) [ASDK2-32.768KHZ-LR-T3](#) [8008AI-72-XXE-24.545454E](#) [8004AC-13-33E-133.33000X](#) [AS-4.9152-16-SMD-TR](#) [ASFL1-48.000MHZ-LC-T](#) [632L3I004M00000](#) [SIT8920AM-31-33E-25.0000](#) [DSC1028DI2-019.2000](#) [9121AC-2C3-25E100.00000](#) [9102AI-233N33E100.00000X](#) [9102AI-233N25E200.00000](#) [9102AI-232H25S125.00000](#) [9102AI-133N25E200.00000](#)