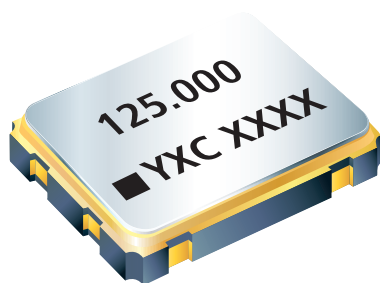


YSO751SR



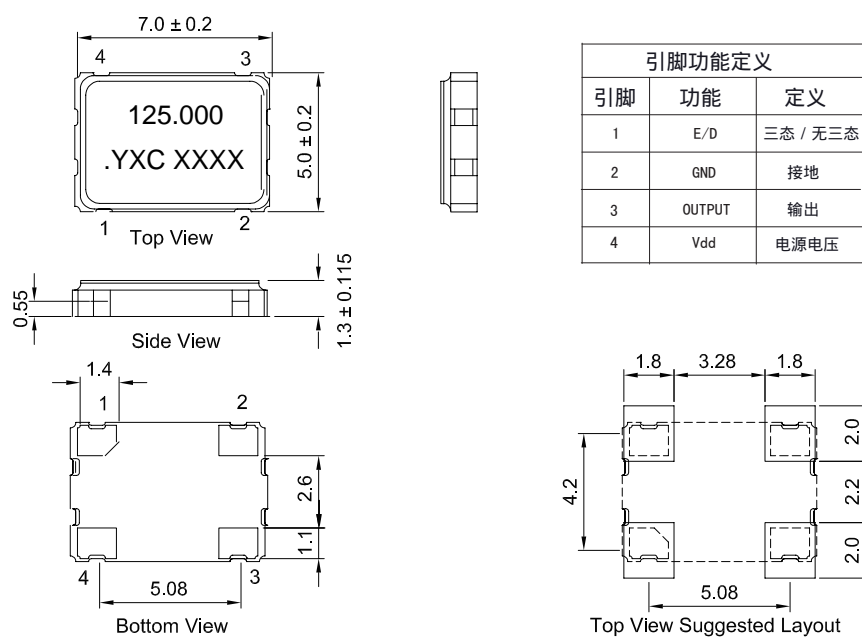
Features

- External dimensions: 7.0 x 5.0 x 1.3 mm.
- Frequency range: 1MHz ~ 200MHz.
- Small SMD seam sealed clock crystal oscillator units.
- High precision characteristic covering up to wide frequency range.
- Designed for automatic mounting and reflow soldering.
- Tri-State function available
- High stability, low jitter, low power consumption.
- Applications: wireless communication, PC, and LCDM.

Electrical Specifications

| Item / Type | YSO751SR |
|-------------------------------------|--|
| Output Frequency Range | 1 ~ 200 MHz |
| Output Type | CMOS |
| Supply Voltage | 1.8V/2.5V/3.3V/5V, or specify |
| Oscillation Mode | Fundamental / 3rd Overtone |
| Frequency Tolerance | ± 20ppm, ± 25ppm, or specify |
| Output Load | 15 pF, or specify |
| Operating Temperature Range | - 20 ~ + 70 °C , - 40 ~ + 85 °C , or specify |
| Storage Temperature Range | - 40 ~ + 85 °C , - 55 ~ + 125 °C |
| Voltage Vol (Max.) / Vol (Min.) | 90%Vdd min./10%Vdd max |
| Symmetry | 40 ~ 60 % Standard |
| Rise (Tr) / Fall (Tf) Time | 8 ns Max. |
| Start-up Time | 10 ms Max. |
| Supply Current | See Below |
| Frequency Aging (at 25 °C) | ± 3 ppm / year Max. |

Dimensions



Units: mm

YSO751SR



★ PART NUMBER GUIDE 部件号示例 e.g. O7050125MEE4SC

YSO751SR=7.0×5.0 SMD SEAM TYPE

| Quartz Crystal Oscillator | Dimensions | Frequency (Hz) | Supply voltage (V) | Frequency Stability Overall (ppm) | output | Pin | Material | Operating Temp. Range |
|---------------------------|------------|----------------|--------------------|-----------------------------------|--------|-----|----------|-----------------------|
| O | 7050 | 125M | E | E | A | 4 | S | C |

| Supply voltage | |
|----------------|------|
| A | 1.8V |
| E | 3.3V |
| F | 5.0V |

| Frequency tolerance | |
|---------------------|--------|
| D | ±20PPM |
| E | ±25PPM |
| H | ±50PPM |

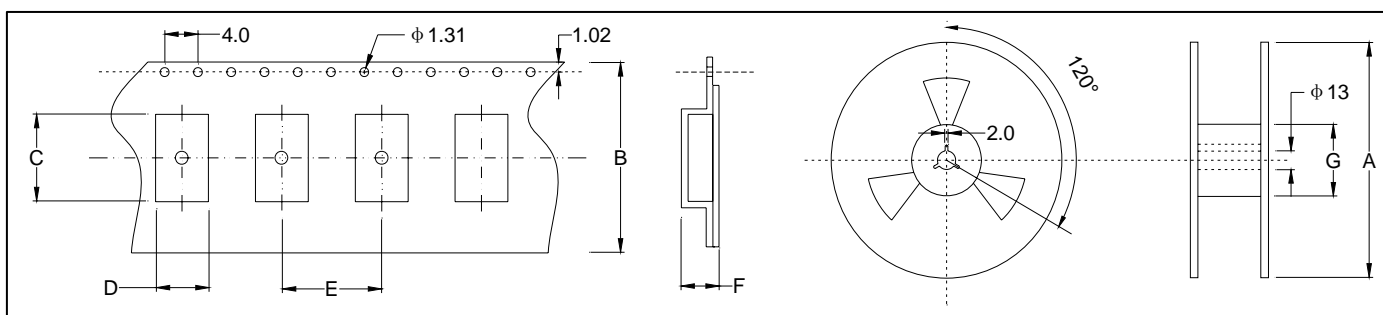
| Operating temperature | |
|-----------------------|-------------|
| C | -20 to 70°C |
| I | -40 to 85°C |

| Output | |
|--------|------|
| A | CMOS |

★ INPUT CURRENT 工作电流

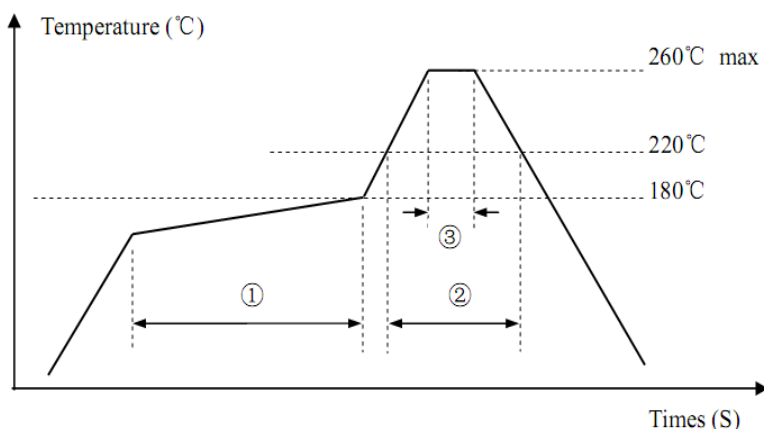
| Vdc=5.0V | | Vdc=1.8~3.3V | |
|-------------------|-----------|-------------------|----------|
| 15pF only | | 15pF only | |
| 1.0 ~ 35.999 MHz | 25 mA max | 1.0 ~ 35.999 MHz | 20mA max |
| 36.0 ~ 69.999 MHz | 60mA max | 36.0 ~ 69.999 MHz | 40mA max |
| 70.0 ~ 150 MHz | 80mA max | 70.0 ~ 150 MHz | 60mA max |

★ TAPING SPECIFICATION (Unit: mm) 编带规格



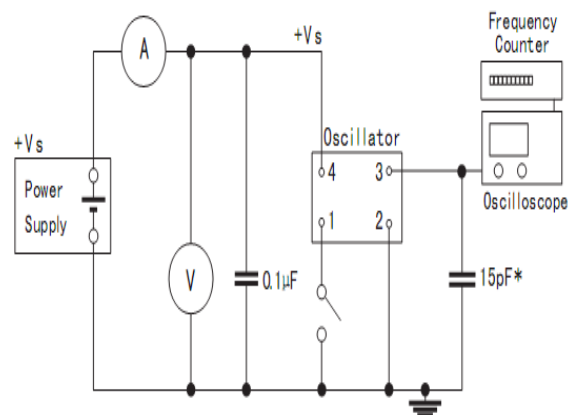
| | A | B | C | D | E | F | G |
|-------------------|---------|----------|-----------|-----------|----------|----------|----------|
| OSC-SMD7050 | 178±2.0 | 16.0±0.3 | 8.40±0.15 | 5.80±0.15 | 7.88±0.1 | 1.90±0.1 | 58.0±1.0 |
| 1000 pcs per reel | | | | | | | |

★ REFLOW SOLDERING PROFILE 回流焊特性



| Pb free reflow A | ① | Preheat | 160~180°C | 120sec. max |
|---------------------|---|--------------|-----------|-------------|
| | ② | Primary heat | 220°C | 60sec. max |
| | ③ | Peak | 260°C | 10sec. max. |

★ Test Circuit 测试电路



X-ON Electronics

Largest Supplier of Electrical and Electronic Components

Click to view similar products for [Standard Clock Oscillators](#) category:

Click to view products by [Yangxing](#) manufacturer:

Other Similar products are found below :

[601252](#) [F335-25](#) [F535L-33.333](#) [F535L-50](#) [ASV-20.000MHZ-LR-T](#) [ECS-2018-160-BN-TR](#) [MXO45HS-2C-66.6666MHZ](#) [SiT1602BI-22-33E-50.000000E](#) [SiT8209AI-32-33E-125.000000](#) [SIT8918AA-11-33S-50.000000G](#) [SM4420TEV-40.0M-T1K](#) [SMA4306-TL-H](#) [F335-24](#) [F335-40](#) [F535L-10](#) [F535L-12](#) [F535L-16](#) [F535L-24](#) [F535L-27](#) [F535L-48](#) [PE7744DW-100.0M](#) [ASF1-3.686MHZ-N-K-S](#) [ASV-4.000MHZ-LCS-T](#) [XLH735025.000JU4I8](#) [XLP725125.000JU6I8](#) [XO57CTECNA3M6864](#) [ECS-2100A-147.4](#) [601251](#) [EP16E7E2H26.000MTR](#) [SiT8503AI-18-33E-0.200000X](#) [SIT8918AA-11-33S-16.000000G](#) [SIT9122AI2C233E300.000000X](#) [XO37CTECNA20M](#) [XO3003](#) [9120AC-2D2-33E212.500000](#) [9102AI-243N25E100.00000](#) [8208AC-82-18E-25.00000](#) [ASDK2-32.768KHZ-LR-T3](#) [8008AI-72-XXE-24.545454E](#) [8004AC-13-33E-133.33000X](#) [AS-4.9152-16-SMD-TR](#) [ASFL1-48.000MHZ-LC-T](#) [632L3I004M00000](#) [SIT8920AM-31-33E-25.0000](#) [DSC1028DI2-019.2000](#) [9121AC-2C3-25E100.00000](#) [9102AI-233N33E100.00000X](#) [9102AI-233N25E200.00000](#) [9102AI-232H25S125.00000](#) [9102AI-133N25E200.00000](#)