



给您一颗快乐的“芯”！

YSO690PR



Features



- Quartz Crystal Programmable Oscillator
- Any frequency between 1MHz~200MHz accurate to 6 decimal places
- Operating temperature from -40 to +85
- Period Jitter, Typical: 1pSec at 12KHz to 20MHz
- CMOS compatible output
- Industry-standard packages: 2.0x1.6 , 2.5 x 2.0 , 3.2 x 2.5 , 5.0 x 3.2 , 7.0 x 5.0 mm x mm

Applications:

- Ideal for DSC, DVC, DVR, IP CAM, Tablets, e-Books, SSD, GPON, EPON, etc
- Ideal for high-speed serial protocols such as : USB, SATA, SAS,

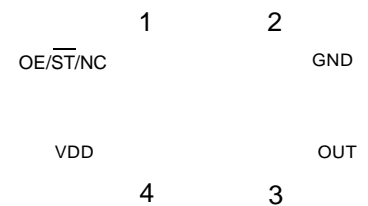
Electrical Specifications

All Min and Max limits are specified over temperature and rated operating voltage with 15 pF output load unless otherwise stated. Typical values are at 25°C and nominal supply voltage.

| Parameter | 1.8 V | 2.5 V | 3.3 V |
|-------------------------------------|---------------------------------------|---------------|---------------|
| Frequency Range | 1MHz~125MHz | 1MHz~200MHz | 1MHz~200MHz |
| Supply Voltage Variation(Vdd)10% | 1.62 V~1.98 V | 2.25 V~2.75 V | 2.97 V~3.63 V |
| Standby Current | 400 μA | | |
| Frequency Tolerance | ± 20ppm, ± 25ppm, ± 50ppm, or specify | | |
| Output Load | 15 pF, or specify | | |
| Operating Temperature Range | - 40 ~ + 85 °C, or specify | | |
| Storage Temperature Range | - 55 ~ +150 °C | | |
| Voltage Vol (Max.) / Vol (Min.) | VOH = 90%Vdd/VOL = 10%Vdd | | |
| Duty Cycle | 45~55% | | |
| Period Jitter(@12K-20Mhz) | 1.8V=1.5ps 2.5V=1.1ps 3.3V=1ps | | |
| Start-up Time | 7ms Max. | | |
| Supply Current | See Below | | |
| Frequency Aging (at 25 °C) | ± 3 ppm / year Max. | | |

Pin Description

| Pin | Symbol | | Functionality |
|-----|-------------------------|---------------|---|
| 1 | OE/ \overline{ST} /NC | Output Enable | H : specified frequency output L : output is low. Specified frequency output stop. |
| | | Standby | H : specified frequency output L : output is low. Device goes to sleep mode. Supply current reduces to 400uA(Standby Current). |
| | | No Connect | Pin 1 = VDD or Pin 1 is Open : Specified frequency output. Pin 1 has no function |
| 2 | GND | Power | Electrical ground |
| 3 | OUT | Output | Oscillator output |
| 4 | VDD | Power | Power supply voltage |



Pin Assignments



给您一颗快乐的“芯”！

YSO690PR



Dimensions and Patterns

| Package Size – Dimensions (Unit: mm) | Recommended Land Pattern (Unit: mm) |
|--------------------------------------|-------------------------------------|
| 2.0 x 1.6 mm | |
| 2.5 x 2.0 mm | |
| 3.2 x 2.5 mm | |
| 5.0 x 3.2 mm | |
| 7.0 x 5.0 mm | |

Notes:

- 1. A capacitor of value 0.01 μ F-0.1 μ F for higher between Vdd and GND is required.

come visit our site <http://www.yxc.hk>



给您一颗快乐的“芯”！

YSO690PR



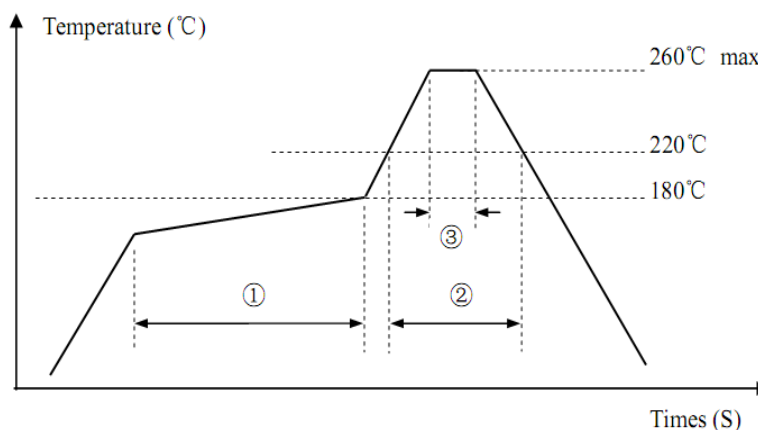
★ PART NUMBER GUIDE 部件号示例 e.g. O97050200MEDA4SI-* YSO690PR=7.0 ×5.0 SMD SEAM TYPE

| Quartz Crystal Oscillator | Series | Dimensions | Frequency (Hz) | Supply voltage (V) | Frequency Stability Overall (ppm) | output | Pin | Material | Operating Temp. Range | - | Remark |
|---------------------------|--------|------------|----------------|--------------------|-----------------------------------|--------|-----|----------|-----------------------|---|--------|
| O | 9 | 7050 | 200M | E | D | A | 4 | S | I | - | * |

★ INPUT CURRENT 工作电流

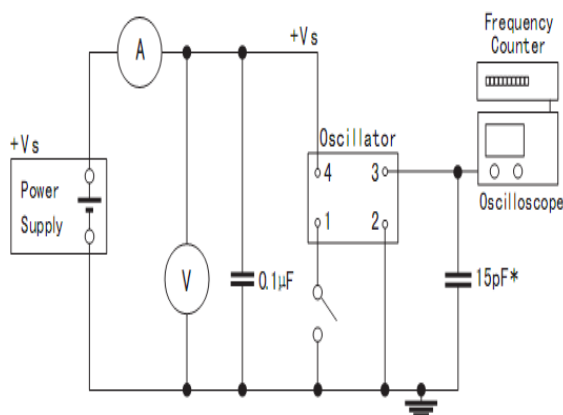
| Supply Voltage | Power Dissipaton | | | | |
|----------------|--------------------|---------------------|----------------------|-----------------------|-----------------------|
| | 1.000 ~ 30.000 MHz | 30.000 ~ 75.000 MHz | 75.000 ~ 110.000 MHz | 133.000 ~ 166.000 MHz | 166.000 ~ 200.000 MHz |
| 1.8 V | 18 mA max | 19 mA max | 20 mA max | 20 mA max | 20 mA max |
| 2.5 V | 21 mA max | 22mA max | 23 mA max | 24mA max | 25mA max |
| 3.3 V | 23 mA max | 24 mA max | 25 mA max | 26 mA max | 27 mA max |

★ REFLOW SOLDERING PROFILE 回流焊特性



| Pb free reflow A | ① | Preheat | 160~180°C | 120sec. max |
|---------------------|---|--------------|-----------|-------------|
| | ② | Primary heat | 220°C | 60sec. max |
| | ③ | Peak | 260°C | 10sec. max. |

★ Test Circuit 测试电路



X-ON Electronics

Largest Supplier of Electrical and Electronic Components

Click to view similar products for [Standard Clock Oscillators](#) category:

Click to view products by [Yangxing](#) manufacturer:

Other Similar products are found below :

[EP1400SJTSC-125.000M](#) [601137](#) [601252](#) [CSX750FBC-24.000M-UT](#) [CSX750FBC-33.333M-UT](#) [CSX750FCC-3.6864M-UT](#) [F335-12](#) [F335-25](#) [F535L-50](#) [DSC506-03FM2](#) [ASA-20.000MHZ-L-T](#) [ASA-25.000MHZ-L-T](#) [ASA-27.000MHZ-L-T](#) [ASV-20.000MHZ-LR-T](#) [ECS-2018-160-BN-TR](#) [EL13C7-H2F-125.00M](#) [MXO45HS-2C-66.6666MHZ](#) [NBXDBB017LN1TAG](#) [NBXHBA019LN1TAG](#) [SiT1602BI-22-33E-50.000000E](#) [SIT8003AC-11-33S-2.04800X](#) [SiT8256AC-23-33E-156.250000X](#) [SIT8918AA-11-33S-50.000000G](#) [SM4420TEV-40.0M-T1K](#) [SMA4306-TL-H](#) [F335-24](#) [F335-40](#) [F335-50](#) [F535L-10](#) [F535L-12](#) [F535L-16](#) [F535L-24](#) [F535L-27](#) [F535L-48](#) [PE7744DW-100.0M](#) [CSX750FBC-20.000M-UT](#) [CSX-750FBC33333000T](#) [CSX750FBC-4.000M-UT](#) [CSX750FBC-7.3728M-UT](#) [CSX750FBC-8.000M-UT](#) [CSX-750FCC14745600T](#) [CSX750FCC-16.000M-UT](#) [CSX-750FCC40000000T](#) [CSX750FCC-4.000M-UT](#) [ASA-22.000MHZ-L-T](#) [ASA2-26.000MHZ-L-T](#) [ASA-40.000MHZ-L-T](#) [ASA-48.000MHZ-L-T](#) [ASA-60.000MHZ-L-T](#) [ASF1-3.686MHZ-N-K-S](#)