

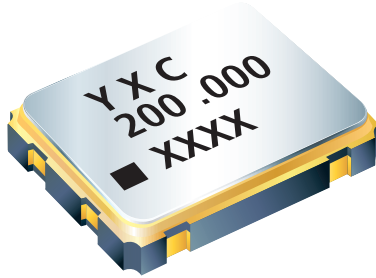


给您一颗快乐的“芯”！

YSO690PR



Features



- Quartz Crystal Programmable Oscillator
- Any frequency between 1MHz~200MHz accurate to 6 decimal places
- Operating temperature from -40 to +85
- Period Jitter, Typical: 1pSec at 12KHz to 20MHz
- CMOS compatible output
- Industry-standard packages: 2.0x1.6 , 2.5 x 2.0 , 3.2 x 2.5 , 5.0 x 3.2 , 7.0 x 5.0 mm x mm

Applications:

- Ideal for DSC, DVC, DVR, IP CAM, Tablets, e-Books, SSD, GPON, EPON, etc
- Ideal for high-speed serial protocols such as : USB, SATA, SAS,

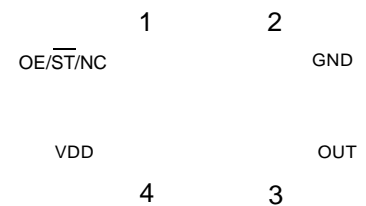
Electrical Specifications

All Min and Max limits are specified over temperature and rated operating voltage with 15 pF output load unless otherwise stated. Typical values are at 25°C and nominal supply voltage.

Parameter	1.8 V	2.5 V	3.3 V
Frequency Range	1MHz~125MHz	1MHz~200MHz	1MHz~200MHz
Supply Voltage Variation(Vdd)10%	1.62 V~1.98 V	2.25 V~2.75 V	2.97 V~3.63 V
Standby Current	400 μ A		
Frequency Tolerance	± 20 ppm, ± 25 ppm, ± 50 ppm, or specify		
Output Load	15 pF, or specify		
Operating Temperature Range	- 40 ~ + 85 $^{\circ}$ C, or specify		
Storage Temperature Range	- 55 ~ +150 $^{\circ}$ C		
Voltage Vol (Max.) / Vol (Min.)	VOH = 90%Vdd/VOL = 10%Vdd		
Duty Cycle	45~55%		
Period Jitter(@12K-20Mhz)	1.8V=1.5ps 2.5V=1.1ps 3.3V=1ps		
Start-up Time	7ms Max.		
Supply Current	See Below		
Frequency Aging (at 25 $^{\circ}$ C)	± 3 ppm / year Max.		

Pin Description

Pin	Symbol		Functionality
1	OE/ \overline ST/NC	Output Enable	H : specified frequency output L : output is low. Specified frequency output stop.
		Standby	H : specified frequency output L : output is low. Device goes to sleep mode. Supply current reduces to 400uA(Standby Current).
		No Connect	Pin 1 = VDD or Pin 1 is Open : Specified frequency output. Pin 1 has no function
2	GND	Power	Electrical ground
3	OUT	Output	Oscillator output
4	VDD	Power	Power supply voltage



Pin Assignments



给您一颗快乐的“芯”！

YSO690PR



Dimensions and Patterns

Package Size – Dimensions (Unit: mm)	Recommended Land Pattern (Unit: mm)
2.0 x 1.6 mm	
2.5 x 2.0 mm	
3.2 x 2.5 mm	
5.0 x 3.2 mm	
7.0 x 5.0 mm	

Notes:

- 1. A capacitor of value 0.01 μ F-0.1 μ F for higher between Vdd and GND is required.

come visit our site <http://www.yxc.hk>



给您一颗快乐的“芯”！

YSO690PR



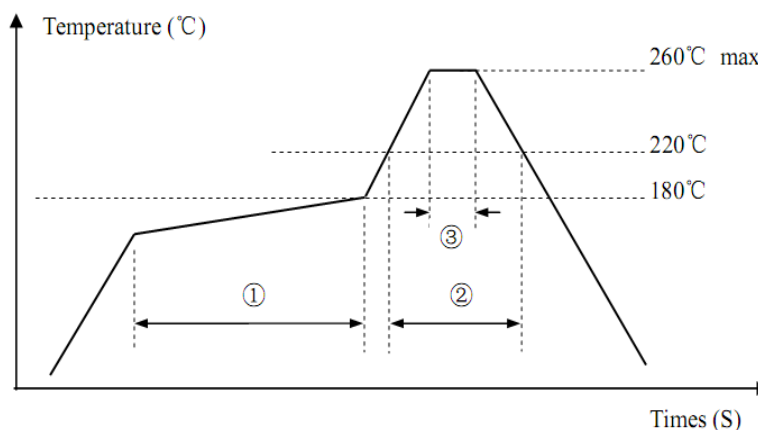
★ PART NUMBER GUIDE 部件号示例 e.g. O97050200MEDA4SI-* YSO690PR=7.0 ×5.0 SMD SEAM TYPE

Quartz Crystal Oscillator	Series	Dimensions	Frequency (Hz)	Supply voltage (V)	Frequency Stability Overall (ppm)	output	Pin	Material	Operating Temp. Range	-	Remark
O	9	7050	200M	E	D	A	4	S	I	-	*

★ INPUT CURRENT 工作电流

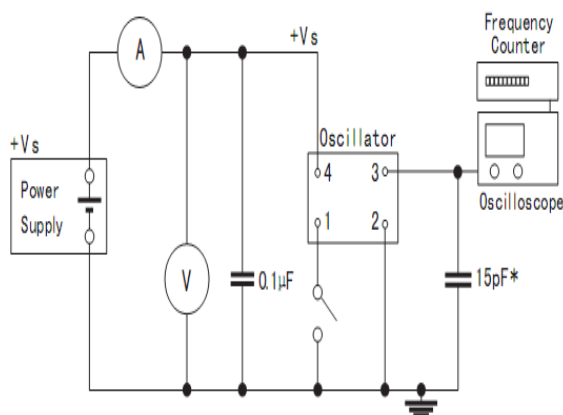
Supply Voltage	Power Dissipaton				
	1.000 ~ 30.000 MHz	30.000 ~ 75.000 MHz	75.000 ~ 110.000 MHz	133.000 ~ 166.000 MHz	166.000 ~ 200.000 MHz
1.8 V	18 mA max	19 mA max	20 mA max	20 mA max	20 mA max
2.5 V	21 mA max	22mA max	23 mA max	24mA max	25mA max
3.3 V	23 mA max	24 mA max	25 mA max	26 mA max	27 mA max

★ REFLOW SOLDERING PROFILE 回流焊特性



Pb free reflow A	①	Preheat	160~180°C	120sec. max
	②	Primary heat	220°C	60sec. max
	③	Peak	260°C	10sec. max.

★ Test Circuit 测试电路



X-ON Electronics

Largest Supplier of Electrical and Electronic Components

Click to view similar products for [Standard Clock Oscillators](#) category:

Click to view products by [Yangxing](#) manufacturer:

Other Similar products are found below :

[EP1400SJTSC-125.000M](#) [601137](#) [601252](#) [CSX750FBC-24.000M-UT](#) [CSX750FBC-33.333M-UT](#) [CSX750FCC-3.6864M-UT](#) [F335-12](#) [F335-25](#) [F535L-50](#) [DSC506-03FM2](#) [ASA-20.000MHZ-L-T](#) [ASA-25.000MHZ-L-T](#) [ASA-27.000MHZ-L-T](#) [ASV-20.000MHZ-LR-T](#) [ECS-2018-160-BN-TR](#) [EL13C7-H2F-125.00M](#) [MXO45HS-2C-66.6666MHZ](#) [NBXDBB017LN1TAG](#) [NBXHBA019LN1TAG](#) [SiT1602BI-22-33E-50.000000E](#) [SIT8003AC-11-33S-2.04800X](#) [SiT8256AC-23-33E-156.250000X](#) [SIT8918AA-11-33S-50.000000G](#) [SM4420TEV-40.0M-T1K](#) [SMA4306-TL-H](#) [F335-24](#) [F335-40](#) [F335-50](#) [F535L-10](#) [F535L-12](#) [F535L-16](#) [F535L-24](#) [F535L-27](#) [F535L-48](#) [PE7744DW-100.0M](#) [CSX750FBC-20.000M-UT](#) [CSX-750FBC33333000T](#) [CSX750FBC-4.000M-UT](#) [CSX750FBC-7.3728M-UT](#) [CSX750FBC-8.000M-UT](#) [CSX-750FCC14745600T](#) [CSX750FCC-16.000M-UT](#) [CSX-750FCC40000000T](#) [CSX750FCC-4.000M-UT](#) [ASA-22.000MHZ-L-T](#) [ASA2-26.000MHZ-L-T](#) [ASA-40.000MHZ-L-T](#) [ASA-48.000MHZ-L-T](#) [ASA-60.000MHZ-L-T](#) [ASF1-3.686MHZ-N-K-S](#)