

Programmable Crystal Oscillator YSO690PR

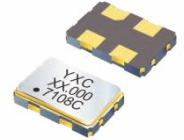


Applications

- Consumer
- Industrial

Features

- Fast Delivery
- PLL Circuit Provides Wide Frequency Range Application (1 ~ 200MHz)
- Low Jitter Design with New Developed IC
- Package Size: 2.0*1.6, 2.5*2.0, 3.2*2.5, 5.0*3.2, 7.0*5.0mm



Specifications (规格参数)

| Item / Type | CMOS | | |
|---|-----------------------------|---------------|---------------|
| Supply Voltage 电源电压 | 1.8 V | 2.5 V | 3.3 V |
| Frequency Range 额定频率范围 | 1MHz ~ 125MHz | 1MHz ~ 200MHz | 1MHz ~ 200MHz |
| Supply Voltage Variation (VDD)10% 电压范围 | 1.62V ~ 1.98V | 2.25V ~ 2.75V | 2.97V ~ 3.63V |
| Standby Current 待机电流 | 400uA | | |
| Frequency Tolerance 频率偏差 | ±30ppm, ±50ppm or specify | | |
| Output Load 输出负载 | 15pF | | |
| Operating Temperature Range 工作温度 | -40~+85°C, or specify | | |
| Storage Temperature Range 储存温度 | -55~+150°C | | |
| Voltage VOH (Min.) / VOL (Max.) 输出电压 | VOH = 90%VDD / VOL = 10%VDD | | |
| Duty Cycle 占空比 | 45~55% | | |
| Rise Time/Fall Time 上升沿/下降沿 | 5ns Max | | |
| Start-up Time 启动时间 | 7ms Max | | |
| RMS Jitter [12 kHz ~ 20 MHz] 相位抖动 | 1.5ps Max | 1.1ps Max | 1ps Max |
| Supply Current 消耗电流 | See Below | | |
| Frequency Aging (at 25°C) 老化率 | ±3 ppm / year Max | | |

Programmable Crystal Oscillator YSO690PR



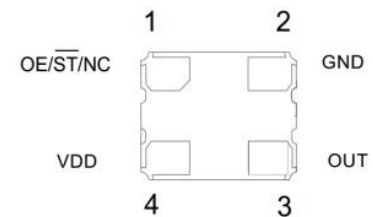
Current Consumption (消耗电流)

| Supply Voltage (V) | Power Dissipation | | | | |
|--------------------|-------------------|------------------|-------------------|--------------------|--------------------|
| | 1.000~30.000MHz | 31.000~75.000MHz | 76.000~110.000MHz | 111.000~166.000MHz | 167.000~200.000MHz |
| 1.8V | 18mA Max | 19mA Max | 20mA Max | 20mA Max | 20mA Max |
| 2.5V | 21mA Max | 22mA Max | 23mA Max | 24mA Max | 25mA Max |
| 3.3V | 24mA Max | 24mA Max | 25mA Max | 26mA Max | 27mA Max |

Pin Dimension (脚位尺寸)

| Pin | Symbol | Functionality | |
|-----|----------|---------------|---|
| 1 | OE/ST/NC | Output Enable | H: specified frequency output L: output is low. Specified frequency output stop. |
| | | Standby | H: specified frequency output L: output is low. Device goes to sleep mode. Supply current reduces to 400uA(Standby Current). |
| | | No Connect | Pin 1 = VDD or Pin 1 is Open : Specified frequency output. Pin 1 has no function |
| 2 | GND | Power | Electrical ground |
| 3 | OUT | Output | Oscillator output |
| 4 | VDD | Power | Power supply voltage |

Pin Assignments



Dimensions and Recommended Land Pattern (外观尺寸及推荐焊盘)

| Dimensions (Unit: mm) | Recommended Land Pattern (Unit: mm) |
|-----------------------|-------------------------------------|
| <p>2.0*1.6mm</p> | |

Programmable Crystal Oscillator YSO690PR

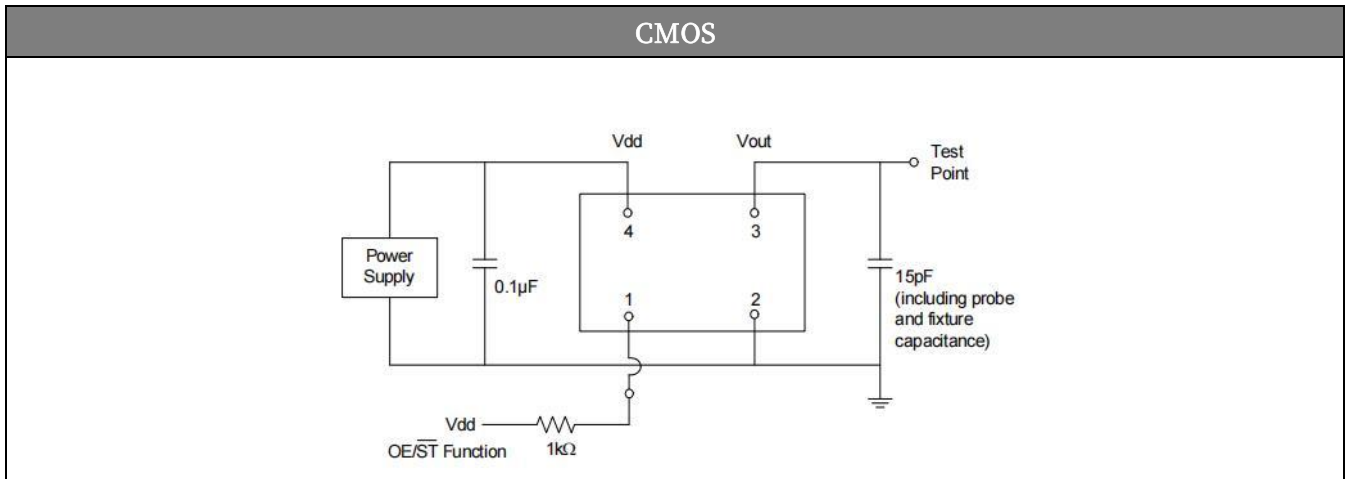


| | |
|------------------|--|
| <p>2.5*2.0mm</p> | |
| <p>3.2*2.5mm</p> | |
| <p>5.0*3.2mm</p> | |
| <p>7.0*5.0mm</p> | |

Programmable Crystal Oscillator YSO690PR



Test Circuit (测试电路)



X-ON Electronics

Largest Supplier of Electrical and Electronic Components

Click to view similar products for [Standard Clock Oscillators](#) category:

Click to view products by [Yangxing](#) manufacturer:

Other Similar products are found below :

[601252](#) [F335-25](#) [F535L-33.333](#) [F535L-50](#) [NBXHBA019LN1TAG](#) [SiT1602BI-22-33E-50.000000E](#) [SIT8918AA-11-33S-50.000000G](#)
[SM4420TEV-40.0M-T1K](#) [F335-24](#) [F335-40](#) [F535L-10](#) [F535L-12](#) [F535L-24](#) [F535L-27](#) [PE7744DW-100.0M](#) [ASF1-3.686MHZ-N-K-S](#) [ASV-](#)
[4.000MHZ-LCS-T](#) [XO57CTECNA3M6864](#) [601251](#) [SiT8503AI-18-33E-0.200000X](#) [SIT9122AI2C233E300.000000X](#) [9120AC-2D2-](#)
[33E212.500000](#) [9102AI-243N25E100.000000](#) [8208AC-82-18E-25.000000](#) [8008AI-72-XXE-24.545454E](#) [8004AC-13-33E-133.330000X](#) [AS-](#)
[4.9152-16-SMD-TR](#) [ASFL1-48.000MHZ-LC-T](#) [632L3I004M000000](#) [SIT8920AM-31-33E-25.000000](#) [DSC1028DI2-019.2000](#) [9121AC-2C3-](#)
[25E100.000000](#) [9102AI-233N33E100.000000X](#) [9102AI-233N25E200.000000](#) [9102AI-232H25S125.000000](#) [9102AI-133N25E200.000000](#) [9102AC-](#)
[283N25E200.000000](#) [9001AC-33-33E1-30.000000](#) [8103AC-13-33E-12.000000X](#) [3921AI-2CF-33NZ125.000000](#) [5730-1SF](#) [XUN736000.032768I](#)
[ASV-25.000MHZ-ECS-50-T](#) [EC3925ETTTS-100.000M TR](#) [SIT1602BC-83-33E-10.000000Y](#) [8003AI-12-33S-40.000000Y](#) [1602BI-13-33S-](#)
[19.200000E](#) [8208AI-2F-18E-25.000000X](#) [8103AI-83-33E-33.000000X](#) [8208AI-8F-33E-66.666666X](#)