

PROGRAMMABLE CRYSTAL OSCILLATOR

YSO210PR



Applications

- 10 GB Ethernet, SONET, SATA, SAS, Fibre Channel

Features

- Freq range:10MHz-1500MHz.
- Output LVPECL or LVDS.
- Package Size: 3.2*2.5, 5.0*3.2 7.0*5.0mm.
- Quartz Crystal Programmable Differential Oscillator.

Specifications

Item/Type	LVPECL	LVDS	Remarks	
Output Frequency Range	10MHZ~1500MHZ			
Supply Voltage	2.5Vdc ± 10% 3.3Vdc ± 10%			
Operating Temperature Range	-40~+85℃,or specify			
Storage Temperature Range	-55~+125℃			
Total Stability	±50ppm			
Input Resistance	1Mohms Typ			
Current Consumption	80mA Max	50mA Max	OE=Vcc, LVPECL=(50)Ω or LVDS=(100)Ω	
Disable Current	16mA Typ		OE=GND	
Output Voltage (LVPECL)	VOH=Vcc-1.03 Min	--	DC characteristics	
	VOL=Vcc-1.6 Max	--		
Output Voltage (LVDS)	--	VOD= 175mV	VOD1, VOD2	DC characteristics
	--	dVOD=50mV Max.	dVOD= VOD1-VOD2	
	--	VOS= 1.25V	VOS1, VOS2	
	--	dVOS=50mV Max.	dVOS= VOD1-VOD2	
Output Load Condition	L_P ECL=50Ω	--	Terminated to Vcc-2.0V	
	--	L_LVDS=100Ω	Connected between OUT to OUT	
Input Voltage	VIH=70% VccMin, VIL=30%Vcc Max		OE terminal	
Output Symmetry	45~55%			
Rise Time/Fall Time	1nS Max		LVPECL: Between 20% and 80% of (VOH-VOL), LVDS:Between 20% and 80% Differential Output peak to peak voltage	
Start-up time	10mS		Time at minimum supply voltage to be 0 s	
Aging	±3ppm		25℃First year, Vcc=2.5V,3.3V	
Phase Jitter(12KHZ~20MHZ)	1.0ps Typ.		200MHZ~800MHZ	
	2.0ps Typ.		801MHZ~1500MHZ	

Pin Dimension

Pin	#1	#2	#3	#4	#5	#6
FUNCTION	OE	NC	GND	OUT+	OUT-	VDD

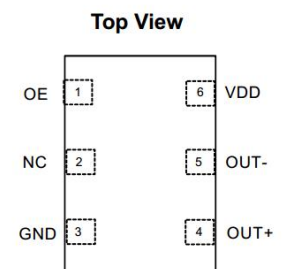


Figure 1. Pin Assignments

Notes: To maintain stable operation provide a 0.01uF to 0.1uF by-pass capacitor at a location as near as possible to the power source terminal of the crystal product (between Vcc-GND).

PROGRAMMABLE CRYSTAL OSCILLATOR

YSO210PR



Dimensions and Patterns [unit:mm]

Package Size – Dimensions (Unit: mm)	Recommended Land Pattern (Unit: mm)
<p>3.2*2.5mm</p> <p>Top View</p> <p>Bottom View</p> <p>Side View</p>	<p>Top View Suggested Layout</p>
<p>5.0*3.2mm</p> <p>Top View</p> <p>Bottom View</p> <p>Side View</p>	<p>Top View Suggested Layout</p>
<p>7.0*5.0mm</p> <p>Top View</p> <p>Bottom View</p> <p>Side View</p>	<p>Top View Suggested Layout</p>
<p>Notes:</p> <p>1.A capacitor of value 0.01uf~0.1uf or higher between Vdd and GND is required.</p>	

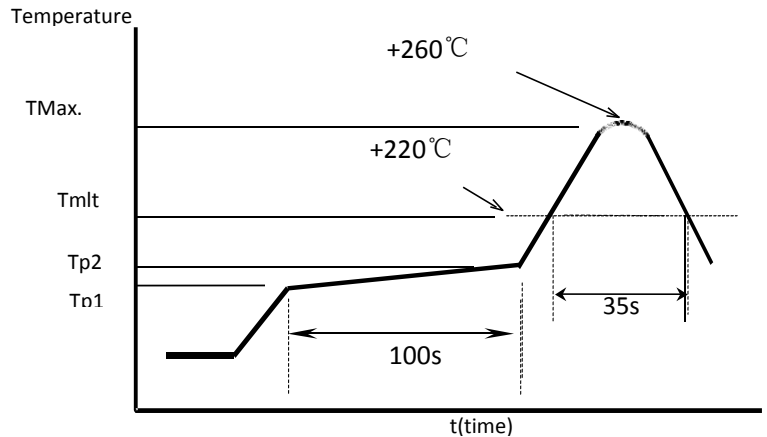
PROGRAMMABLE CRYSTAL OSCILLATOR

YSO210PR



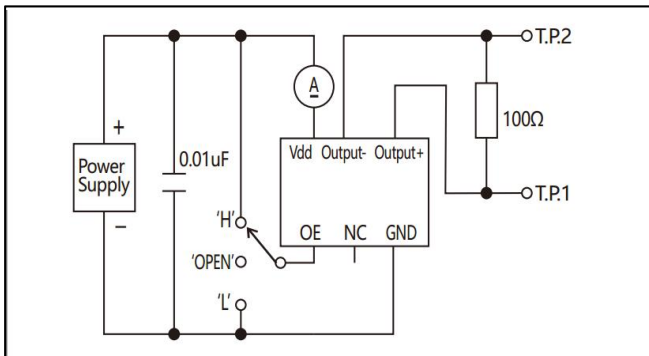
Reflow Soldering Profile

Pre Heating Temperature $T_{p1} \sim T_{p2} = +170\text{ }^{\circ}\text{C}$
 Heating Temperature
 $T_{Mlt} = +220\text{ }^{\circ}\text{C}$
 Peak Temperature
 $T_{Max.} = +260\text{ }^{\circ}\text{C}$
 Point of measuring
 In case of Solder ability Terminal.
 In case of Resistance to soldering heat Surface.

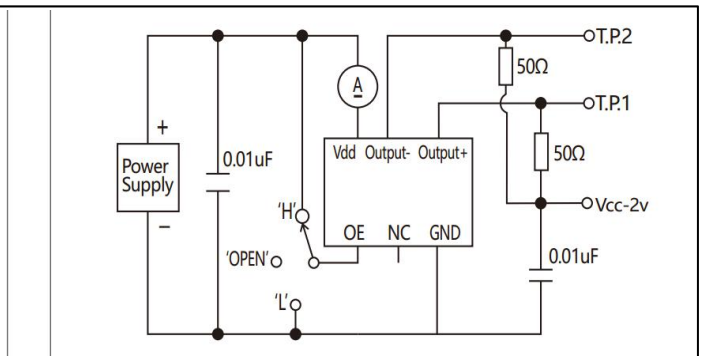


Test Circuit

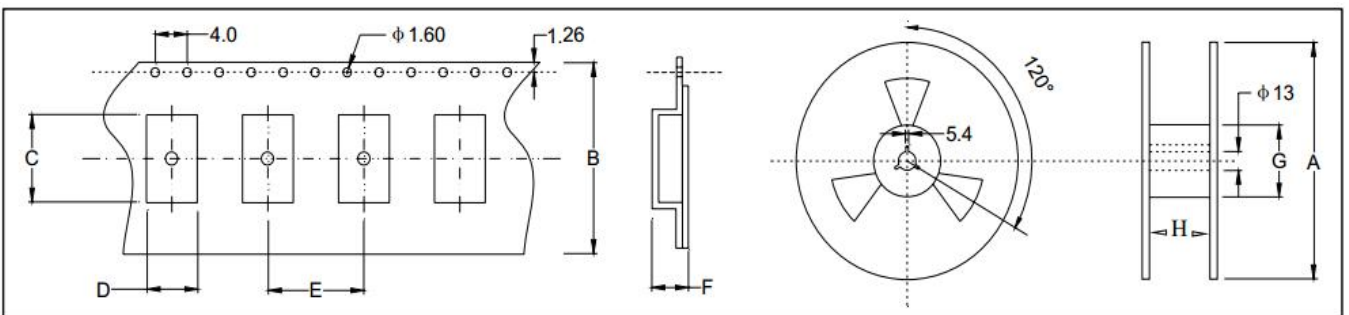
LVDS



LVPECL



Taping Specification(Unit: mm)



Size(OSC)	A	B	C	D	E	F	G	H
SMD-7050	180±2.0	16.0±0.3	7.50±0.1	5.50±0.1	8.0±0.1	2.00±0.1	61.0±1.0	16.0±1.0
SMD-5032	180±2.0	12.0±0.3	5.40±0.1	3.60±0.1	8.0±0.1	1.70±0.1	61.0±1.0	12.0±1.0
SMD-3225	180±2.0	8.0±0.3	3.40±0.1	2.70±0.1	4.0±0.1	1.50±0.1	61.0±1.0	8.0±1.0

X-ON Electronics

Largest Supplier of Electrical and Electronic Components

Click to view similar products for [Standard Clock Oscillators](#) category:

Click to view products by [Yangxing](#) manufacturer:

Other Similar products are found below :

[601252](#) [F335-25](#) [F535L-33.333](#) [F535L-50](#) [NBXHBA019LN1TAG](#) [SiT1602BI-22-33E-50.000000E](#) [SIT8918AA-11-33S-50.000000G](#)
[SM4420TEV-40.0M-T1K](#) [F335-24](#) [F335-40](#) [F535L-10](#) [F535L-12](#) [F535L-24](#) [F535L-27](#) [PE7744DW-100.0M](#) [ASF1-3.686MHZ-N-K-S](#) [ASV-](#)
[4.000MHZ-LCS-T](#) [XO57CTECNA3M6864](#) [601251](#) [SiT8503AI-18-33E-0.200000X](#) [SIT9122AI2C233E300.000000X](#) [9120AC-2D2-](#)
[33E212.500000](#) [9102AI-243N25E100.000000](#) [8208AC-82-18E-25.000000](#) [8008AI-72-XXE-24.545454E](#) [8004AC-13-33E-133.330000X](#) [AS-](#)
[4.9152-16-SMD-TR](#) [ASFL1-48.000MHZ-LC-T](#) [632L3I004M000000](#) [SIT8920AM-31-33E-25.000000](#) [DSC1028DI2-019.2000](#) [9121AC-2C3-](#)
[25E100.000000](#) [9102AI-233N33E100.000000X](#) [9102AI-233N25E200.000000](#) [9102AI-232H25S125.000000](#) [9102AI-133N25E200.000000](#) [9102AC-](#)
[283N25E200.000000](#) [9001AC-33-33E1-30.000000](#) [8103AC-13-33E-12.000000X](#) [3921AI-2CF-33NZ125.000000](#) [5730-1SF](#) [XUN736000.032768I](#)
[ASV-25.000MHZ-ECS-50-T](#) [EC3925ETTTS-100.000M TR](#) [SIT1602BC-83-33E-10.000000Y](#) [8003AI-12-33S-40.000000Y](#) [1602BI-13-33S-](#)
[19.200000E](#) [8208AI-2F-18E-25.000000X](#) [8103AI-83-33E-33.000000X](#) [8208AI-8F-33E-66.666666X](#)