

Programmable Crystal Oscillator YSV220PR VCXO

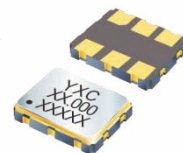


Applications

- 10 GB Ethernet, SONET, SATA, SAS, Fibre Channel

Features

- High Frequency Range: 10 ~ 1500MHz
- Output LVPECL or LVDS
- Package Size: 3.2*2.5, 5.0*3.2, 7.0*5.0mm
- High Precision Characteristic Covering up to Wide Frequency Range



Specifications (规格参数)

Item/Type	LVPECL	LVDS	Remarks	
Output Frequency Range 额定频率范围	10MHZ ~ 1500MHZ			
Supply Voltage 电源电压	2.5V, 3.3V			
Total Stability 频率偏差	±25ppm, ±50ppm or specify		Inclusive of Initial tolerance at 25°C, 1st year aging at 25°C, and variations over operating temperature	
Absolute Pull Range 牵引频率	±50ppm Min.			
Operating Temperature Range 工作温度	-40~+85°C, or specify			
Storage Temperature Range 储存温度	-55~+125°C			
Current Consumption 消耗电流	80mA Max	50mA Max	OE=VDD, LVPECL=(50)Ω or LVDS=(100)Ω	
Current with Output Disabled 禁用电流	16mA Typ.		OE=GND	
Output Voltage (LVPECL) 输出电压 (LVPECL)	VOH=VDD-1.03 Min	--	DC characteristics	
	VOL=VDD-1.6 Max	--		
Output Voltage (LVDS) 输出电压 (LVDS)	--	VOD= 350mV	VOD1, VOD2	DC characteristics
	--	dVOD=50mV Max.	dVOD= VOD1-VOD2	
	--	VOS= 1.25V	VOS1, VOS2	
	--	dVOS=50mV Max.	dVOS= VOD1-VOD2	
Output Load Condition 输出负载	L_PECL=50Ω	--	Terminated to VDD-2.0V	
	--	L_LVDS=100Ω	Connected between OUT to OUT	
Input Voltage 输入电压	VIH=70% VDD Min, VIL=30%VDD Max		OE terminal	
Duty Cycle 占空比	45 ~ 55%			
Rise Time/Fall Time 上升沿/下降沿	1nS Max		LVPECL: Between 20% and 80% of (VOH-VOL), LVDS:Between 20% and 80%	

Programmable Crystal Oscillator YSV220PR VCXO



		Differential Output peak to peak voltage
Start-up time 启动时间	10mS	Time at minimum supply voltage to be 0 s
Phase Jitter(12KHZ ~ 20MHZ) 相位抖动	1.0ps Typ.	200MHZ ~ 800MHZ
	2.0ps Typ.	801MHZ ~ 1500MHZ
Aging 老化率	±3ppm	25°C First year, VDD=2.5V, 3.3V

Pin Dimension (脚位尺寸)

Pin	#1	#2	#3	#4	#5	#6
FUNCTION	Vcon	OE	GND	OUT+	OUT-	VDD

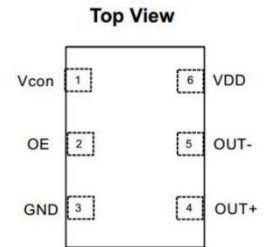


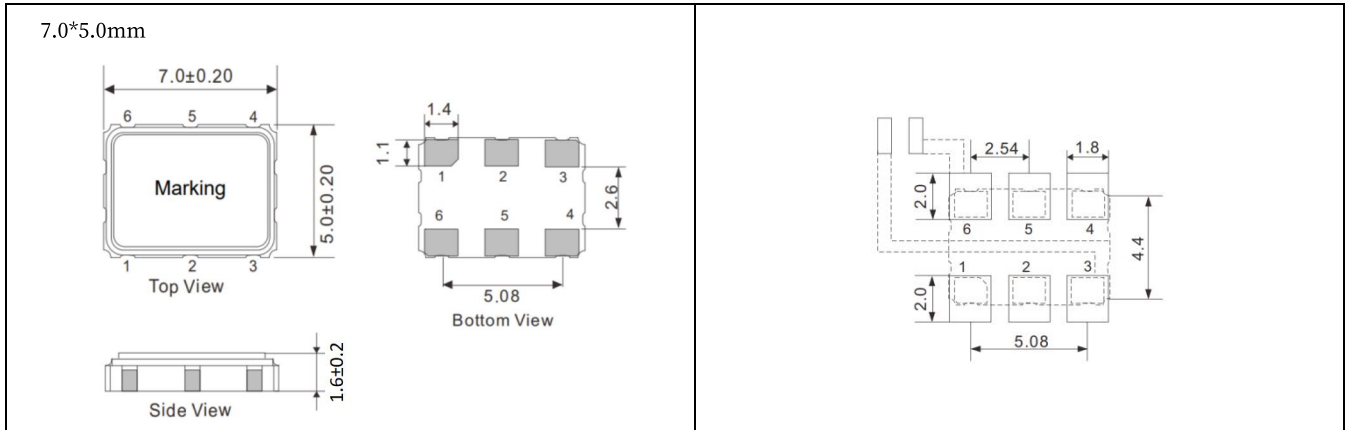
Figure 1. Pin Assignments

Notes: To maintain stable operation provide a 0.01uF to 0.1uF by-pass capacitor at a location as near as possible to the power source terminal of the crystal product (between VDD-GND).

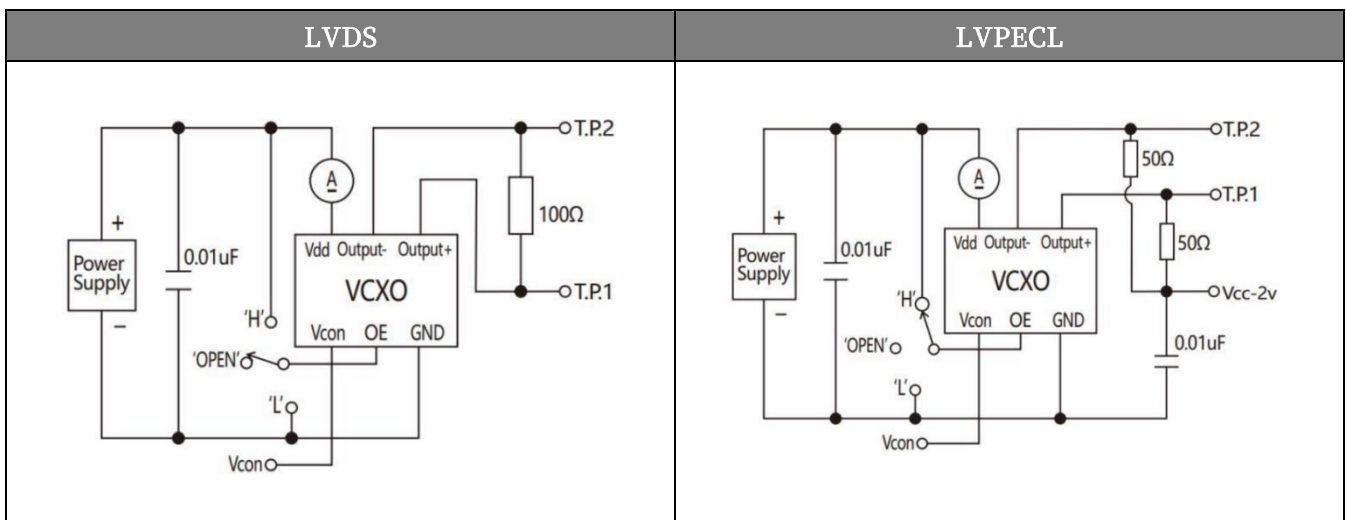
Dimensions and Recommended Land Pattern (外观尺寸及推荐焊盘)

Dimensions (Unit: mm)	Recommended Land Pattern (Unit: mm)
<p>3.2*2.5mm</p>	
<p>5.0*3.2mm</p>	

Programmable Crystal Oscillator YSV220PR VCXO



Test Circuit (测试电路)



X-ON Electronics

Largest Supplier of Electrical and Electronic Components

Click to view similar products for [VCXO Oscillators](#) category:

Click to view products by [Yangxing](#) manufacturer:

Other Similar products are found below :

[3808AI-DF-33NG-80.0000](#) [SIT3808AI-CF-33EM-50.000000X](#) [FRSONT019](#) [SiT3701AC-43-33C-10.00000X](#) [315LB3I1250T](#) [CVPD-922X-100.000](#) [FY3HCJM45.1584-BULK](#) [SiT3807AC-C2-33EB-12.288000Y](#) [NBVSPA015LN1TAG](#) [NBVSPA015LNHTAG](#) [NBVSPA019LNHTAG](#) [NBVSPA024LN1TAG](#) [SX3V24.576B20100F30TNN](#) [SX3V16.384B2070F30TNN](#) [SX3V25.000B20100F30TNN](#) [NV0507DH3I155E030N100](#) [SX3V12.288B20070F30TNNS](#) [SX5V16.384B20100F30TNNS](#) [SX7V20.000B20100F30TNNS](#) [SX3V2.048B20070F30TNN](#) [SX7V10.000B20100F30TNNS](#) [SX7V25.000B20100F30TNNS](#) [SX7V49.152B20100F30TNNS](#) [SX3V49.152B20100F30TNNS](#) [SX7V45.1584B20100F30TNNS](#) [SX3V10.000B20070F30TNNS](#) [SX3V12.288B20070F30TNN](#) [SX5V10.000B20100F30TNNS](#) [SX7V16.384B20100F30TNNS](#) [SX5V12.288B20100F30TNNS](#) [SX7V19.440B20100F30TNNS](#) [SX5V49.152B20100F30TNNS](#) [SX3V45.1584B20100F30TNNS](#) [SX5V50.000B20100F30TNNS](#) [SX5V24.576B20100F30TNNS](#) [SX7V27.000B20100F30TNNS](#) [SX7V32.768B20100F30TNNS](#) [SX3V27.000B20100F30TNNS](#) [SX5V40.000B20100F30TNNS](#) [SX3V32.768B20100F30TNNS](#) [SX3V40.000B20100F30TNNS](#) [SX7V12.288B20100F30TNNS](#) [SX3V24.000B20085F30TNNS](#) [SX3V20.000B20085F30TNNS](#) [SX5V25.000B20100F30TNNS](#) [SX3V10.000B20070F30TNN](#) [SX3V16.384B20070F30TNNS](#) [SX3V19.440B20085F30TNNS](#) [SX5V20.000B20100F30TNNS](#) [SX3V24.576B20100F30TNNS](#)