

# Programmable Crystal Oscillator YSV310PR VCXO



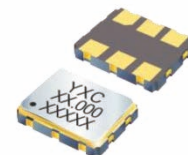
## Applications

- 10 GB Ethernet,  
SONET, SATA, SAS,  
Fibre Channel

## Features

- Freq. Range: 10MHz ~ 250MHz
- Ultra Small SMD Seam Sealed Crystal Oscillator

- Package Size: 3.2\*2.5, 5.0\*3.2, 7.0\*5.0mm
- High Precision Characteristic  
Covering up to Wide Frequency Range



## Specifications (规格参数)

| Item / Type   | CMOS                                     |
|---|--|
| Output Frequency Range<br>额定频率范围                            | 10MHz ~ 250MHz, or specify               |
| Supply Voltage<br>电源电压                                      | 2.5V or 3.3V                             |
| Control Voltage Center<br>控制电压                              | 1.65V ( 0.3V to 3.0V )                   |
| Total Stability<br>频率偏差                                     | ±25ppm, ±50ppm, or specify               |
| Absolute Pull Range<br>牵引频率                                 | ±50ppm ( min.)                           |
| Operating Temperature Range<br>工作温度                         | -40 ~ +85°C, or specify                  |
| Storage Temperature Range<br>储存温度                           | -55 ~ +125°C                             |
| Current Consumption<br>消耗电流                                 | 40mA ( max.)                             |
| Output Load<br>输出负载   | 15pF                                     |
| Voltage Vol ( Max.) / Vol ( min.)<br>输出电压                   | VOH = 90%VDD / VOL = 10%VDD              |
| Duty Cycle<br>占空比   | 45~55%                                   |
| Input Voltage<br>输入电压                                       | VIH=70% VDD ( min.), VIL=30% VDD ( max.) |
| Rise Time / Fall Time<br>( 20% to 80% Waveform )<br>上升沿/下降沿 | 4.0nsec ( max.)                          |
| Start-up Time<br>启动时间                                       | 10msec ( max.)                           |
| Aging<br>老化率  | ±3ppm / year ( max.)                     |
| RMS Jitter [ 12 kHz ~ 20 MHz ]<br>相位抖动                      | 1.0pS ( typ.)                            |

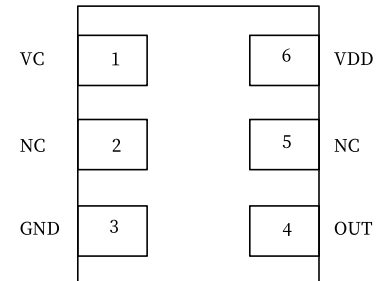
# Programmable Crystal Oscillator YSV310PR VCXO



## Pin Dimension (脚位尺寸)

| Pin      | #1              | #2            | #3             |
|----------|-----------------|---------------|----------------|
| FUNCTION | Voltage Control | No Connection | Ground         |
| Pin      | #4              | #5            | #6             |
| FUNCTION | Output          | No Connection | Supply Voltage |

## Pin Assignments



Top View

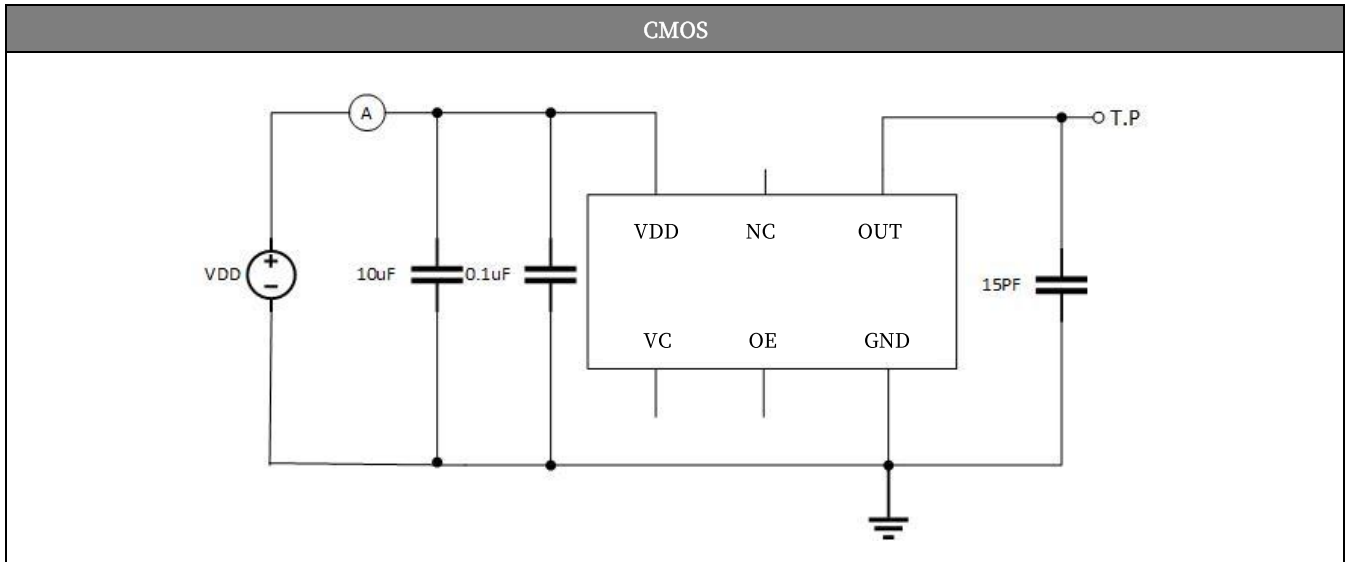
## Dimensions and Recommended Land Pattern (外观尺寸及推荐焊盘)

| Dimensions (Unit: mm) | Recommended Land Pattern (Unit: mm) |
|-----------------------|-------------------------------------|
| <p>3.2*2.5mm</p>      |                                     |
| <p>5.0*3.2mm</p>      |                                     |
| <p>7.0*5.0mm</p>      |                                     |

# Programmable Crystal Oscillator YSV310PR VCXO



## Test Circuit (测试电路)



## X-ON Electronics

Largest Supplier of Electrical and Electronic Components

*Click to view similar products for [VCXO Oscillators](#) category:*

*Click to view products by [Yangxing](#) manufacturer:*

Other Similar products are found below :

[3808AI-DF-33NG-80.0000](#) [SIT3808AI-CF-33EM-50.000000X](#) [FRSONT019](#) [SiT3701AC-43-33C-10.00000X](#) [315LB3I1250T](#) [CVPD-922X-100.000](#) [FY3HCJM45.1584-BULK](#) [SiT3807AC-C2-33EB-12.288000Y](#) [NBVSPA015LN1TAG](#) [NBVSPA015LNHTAG](#) [NBVSPA019LNHTAG](#) [NBVSPA024LN1TAG](#) [SX3V16.384B2070F30TNN](#) [SX3V25.000B20100F30TNN](#) [NV0507DH3I155E030N100](#) [SX3V12.288B20070F30TNNS](#) [SX5V16.384B20100F30TNNS](#) [SX7V20.000B20100F30TNNS](#) [SX3V2.048B20070F30TNN](#) [SX7V10.000B20100F30TNNS](#) [SX7V25.000B20100F30TNNS](#) [SX7V49.152B20100F30TNNS](#) [SX3V49.152B20100F30TNNS](#) [SX7V45.1584B20100F30TNNS](#) [SX3V10.000B20070F30TNNS](#) [SX3V12.288B20070F30TNN](#) [SX5V10.000B20100F30TNNS](#) [SX7V16.384B20100F30TNNS](#) [SX5V12.288B20100F30TNNS](#) [SX7V19.440B20100F30TNNS](#) [SX5V49.152B20100F30TNNS](#) [SX3V45.1584B20100F30TNNS](#) [SX5V50.000B20100F30TNNS](#) [SX5V24.576B20100F30TNNS](#) [SX7V27.000B20100F30TNNS](#) [SX7V32.768B20100F30TNNS](#) [SX3V27.000B20100F30TNNS](#) [SX5V40.000B20100F30TNNS](#) [SX3V32.768B20100F30TNNS](#) [SX3V40.000B20100F30TNNS](#) [SX7V12.288B20100F30TNNS](#) [SX3V24.000B20085F30TNNS](#) [SX3V20.000B20085F30TNNS](#) [SX5V25.000B20100F30TNNS](#) [SX3V16.384B20070F30TNNS](#) [SX3V19.440B20085F30TNNS](#) [SX5V20.000B20100F30TNNS](#) [SX3V24.576B20100F30TNNS](#) [SX5V27.000B20100F30TNNS](#) [SX7V40.000B20100F30TNNS](#)