

# Programmable Crystal Oscillator YSV310PR VCXO



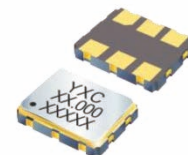
## Applications

- 10 GB Ethernet,  
SONET, SATA, SAS,  
Fibre Channel

## Features

- Freq. Range: 10MHz ~ 250MHz
- Ultra Small SMD Seam Sealed Crystal Oscillator

- Package Size: 3.2\*2.5, 5.0\*3.2, 7.0\*5.0mm
- High Precision Characteristic  
Covering up to Wide Frequency Range



## Specifications (规格参数)

Item / Type	CMOS
Output Frequency Range 额定频率范围	10MHz ~ 250MHz, or specify
Supply Voltage 电源电压	2.5V or 3.3V
Control Voltage Center 控制电压	1.65V ( 0.3V to 3.0V )
Total Stability 频率偏差	±25ppm, ±50ppm, or specify
Absolute Pull Range 牵引频率	±50ppm ( min.)
Operating Temperature Range 工作温度	-40 ~ +85°C, or specify
Storage Temperature Range 储存温度	-55 ~ +125°C
Current Consumption 消耗电流	40mA ( max.)
Output Load 输出负载	15pF
Voltage Vol ( Max.) / Vol ( min.) 输出电压	VOH = 90%VDD / VOL = 10%VDD
Duty Cycle 占空比	45~55%
Input Voltage 输入电压	VIH=70% VDD ( min.), VIL=30% VDD ( max.)
Rise Time / Fall Time ( 20% to 80% Waveform ) 上升沿/下降沿	4.0nsec ( max.)
Start-up Time 启动时间	10msec ( max.)
Aging 老化率	±3ppm / year ( max.)
RMS Jitter [ 12 kHz ~ 20 MHz ] 相位抖动	1.0pS ( typ.)

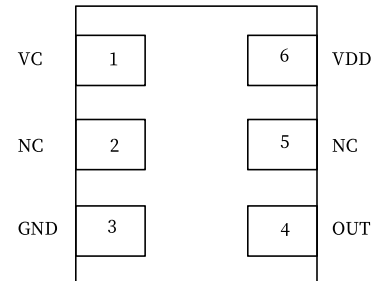
# Programmable Crystal Oscillator YSV310PR VCXO



## Pin Dimension (脚位尺寸)

Pin	#1	#2	#3
FUNCTION	Voltage Control	No Connection	Ground
Pin	#4	#5	#6
FUNCTION	Output	No Connection	Supply Voltage

## Pin Assignments



Top View

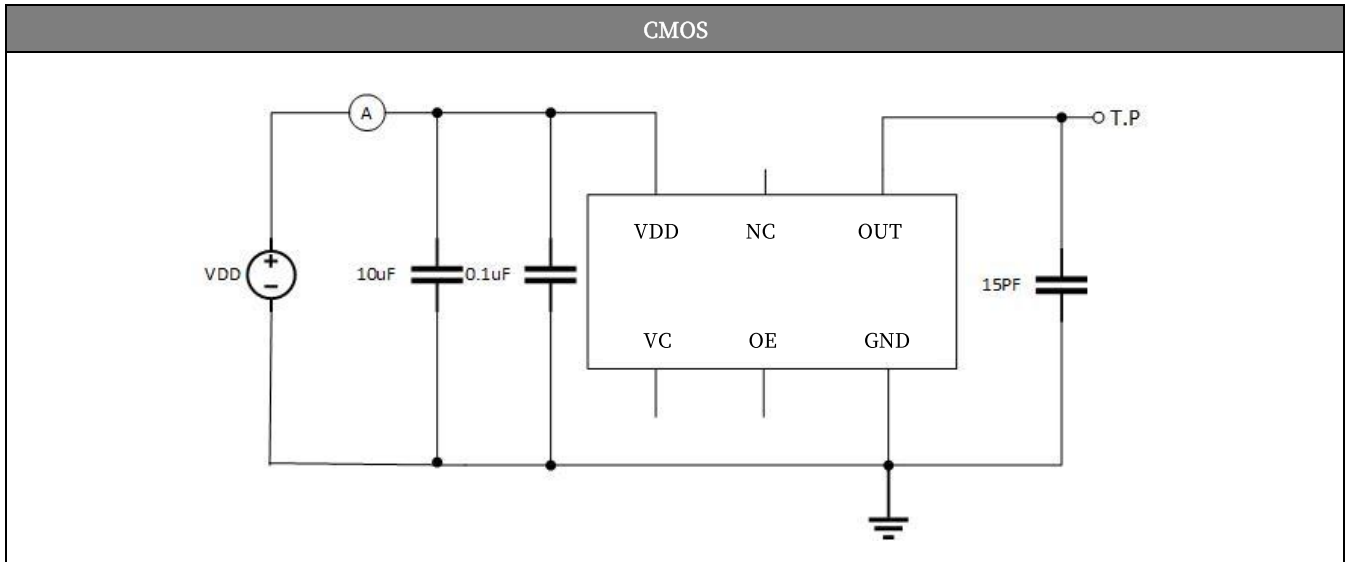
## Dimensions and Recommended Land Pattern (外观尺寸及推荐焊盘)

Dimensions (Unit: mm)	Recommended Land Pattern (Unit: mm)
<p>3.2*2.5mm</p>	
<p>5.0*3.2mm</p>	
<p>7.0*5.0mm</p>	

# Programmable Crystal Oscillator YSV310PR VCXO



## Test Circuit (测试电路)



## X-ON Electronics

Largest Supplier of Electrical and Electronic Components

*Click to view similar products for [VCXO Oscillators](#) category:*

*Click to view products by [Yangxing](#) manufacturer:*

Other Similar products are found below :

[3808AI-DF-33NG-80.0000](#) [SIT3808AI-CF-33EM-50.000000X](#) [FRSONT019](#) [SiT3701AC-43-33C-10.00000X](#) [315LB3I1250T](#) [CVPD-922X-100.000](#) [FY3HCJM45.1584-BULK](#) [SiT3807AC-C2-33EB-12.288000Y](#) [NBVSPA015LN1TAG](#) [NBVSPA015LNHTAG](#) [NBVSPA019LNHTAG](#) [NBVSPA024LN1TAG](#) [SX3V24.576B20100F30TNN](#) [SX3V16.384B2070F30TNN](#) [SX3V25.000B20100F30TNN](#) [NV0507DH3I155E030N100](#) [SX3V12.288B20070F30TNNS](#) [SX5V16.384B20100F30TNNS](#) [SX7V20.000B20100F30TNNS](#) [SX3V2.048B20070F30TNN](#) [SX7V10.000B20100F30TNNS](#) [SX7V25.000B20100F30TNNS](#) [SX7V49.152B20100F30TNNS](#) [SX3V49.152B20100F30TNNS](#) [SX7V45.1584B20100F30TNNS](#) [SX3V10.000B20070F30TNNS](#) [SX3V12.288B20070F30TNN](#) [SX5V10.000B20100F30TNNS](#) [SX7V16.384B20100F30TNNS](#) [SX5V12.288B20100F30TNNS](#) [SX7V19.440B20100F30TNNS](#) [SX5V49.152B20100F30TNNS](#) [SX3V45.1584B20100F30TNNS](#) [SX5V50.000B20100F30TNNS](#) [SX5V24.576B20100F30TNNS](#) [SX7V27.000B20100F30TNNS](#) [SX7V32.768B20100F30TNNS](#) [SX3V27.000B20100F30TNNS](#) [SX5V40.000B20100F30TNNS](#) [SX3V32.768B20100F30TNNS](#) [SX3V40.000B20100F30TNNS](#) [SX7V12.288B20100F30TNNS](#) [SX3V24.000B20085F30TNNS](#) [SX3V20.000B20085F30TNNS](#) [SX5V25.000B20100F30TNNS](#) [SX3V10.000B20070F30TNN](#) [SX3V16.384B20070F30TNNS](#) [SX3V19.440B20085F30TNNS](#) [SX5V20.000B20100F30TNNS](#) [SX3V24.576B20100F30TNNS](#)