

PROGRAMMABLE CRYSTAL OSCILLATOR

YSO691ER Low Jitter



Applications

- Any frequency

Features

- One time programmable
- PLL circuit provides wide frequency range application (1-200MHz)
- Low jitter design with new developed IC
- Package Size: 5.0*3.2, 7.0*5.0mm



Specifications

Frequency Range	1MHz to 125MHz	1MHz to 200MHz	1MHz to 200MHz
Supply Voltage	1.8V	2.5V	3.3V
Frequency Stability	±50ppm, or specify		
Operating Temperature Range	-40~+85°C, or specify		
Storage Temperature Range	-55~+150°C		
Output Type	CMOS		
Rise Time/Fall Time	4nS Max		
Duty Cycle	45~55%		
Start-up Time	7ms Max.		
Period Jitter (@12K-20Mhz)	1.8V<1.5ps 2.5V<1.1ps 3.3V<1ps		
Frequency Aging (at 25°C)	±3 ppm / year Max.		

Current Consumption

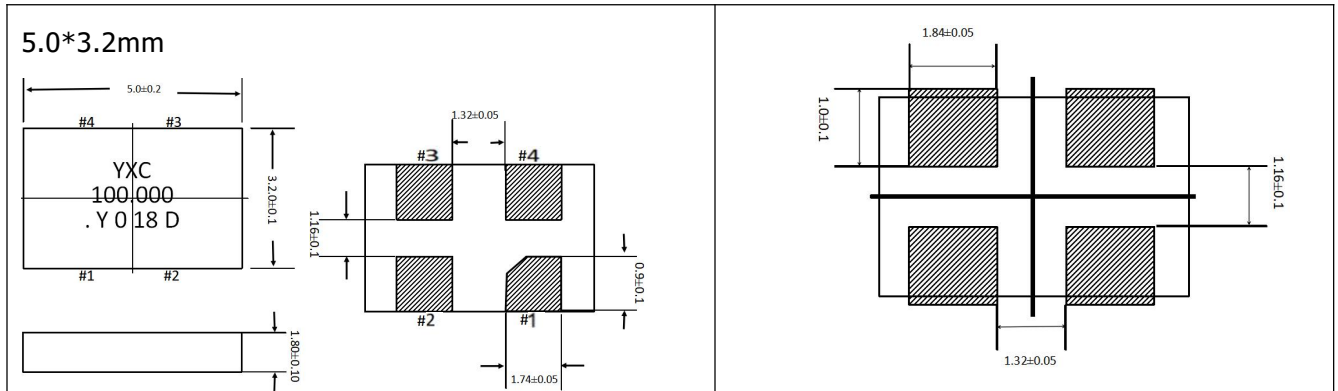
Supply Voltage (V)	Power Dissipation				
	1.000~30.000MHZ	31.000~75.000MHZ	76.000~110.000MHZ	111.000~166.000MHZ	167.000~200.000MHZ
1.8V	18mA max	19mA max	20mA max	20mA max	20mA max
2.5V	21mA max	22mA max	23mA max	24mA max	25mA max
3.3V	23mA max	24mA max	25mA max	26mA max	27mA max

Dimensions and Patterns [unit:mm]

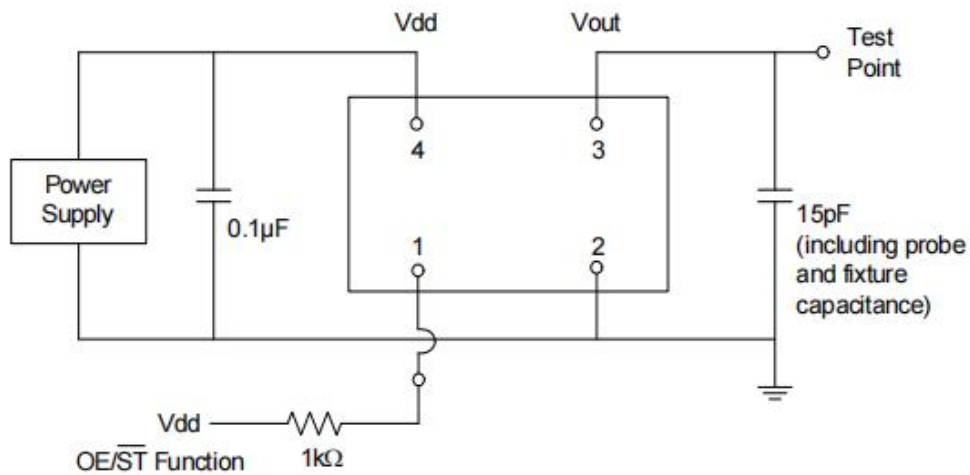
Package Size – Dimensions (Unit: mm)	Recommended Land Pattern (Unit: mm)
<p>7.0*5.0mm</p>	

PROGRAMMABLE CRYSTAL OSCILLATOR

YSO691ER Low Jitter



Test Circuit



X-ON Electronics

Largest Supplier of Electrical and Electronic Components

Click to view similar products for [Standard Clock Oscillators](#) category:

Click to view products by [Yangxing](#) manufacturer:

Other Similar products are found below :

[601252](#) [F335-25](#) [F535L-33.333](#) [F535L-50](#) [NBXHBA019LN1TAG](#) [SiT1602BI-22-33E-50.000000E](#) [SiT8209AI-32-33E-125.000000](#)
[SIT8918AA-11-33S-50.000000G](#) [SM4420TEV-40.0M-T1K](#) [F335-24](#) [F335-40](#) [F535L-10](#) [F535L-12](#) [F535L-24](#) [F535L-27](#) [PE7744DW-](#)
[100.0M](#) [ASF1-3.686MHZ-N-K-S](#) [ASV-4.000MHZ-LCS-T](#) [XLH735025.000JU4I8](#) [XLP725125.000JU6I8](#) [XO57CTECNA3M6864](#) [601251](#)
[SiT8503AI-18-33E-0.200000X](#) [SIT8918AA-11-33S-16.000000G](#) [SIT9122AI2C233E300.000000X](#) [XO37CTECNA20M](#) [9120AC-2D2-](#)
[33E212.500000](#) [9102AI-243N25E100.000000](#) [8208AC-82-18E-25.000000](#) [8008AI-72-XXE-24.545454E](#) [8004AC-13-33E-133.33000X](#) [AS-](#)
[4.9152-16-SMD-TR](#) [ASFL1-48.000MHZ-LC-T](#) [632L3I004M00000](#) [SIT8920AM-31-33E-25.0000](#) [DSC1028DI2-019.2000](#) [9121AC-2C3-](#)
[25E100.000000](#) [9102AI-233N33E100.00000X](#) [9102AI-233N25E200.000000](#) [9102AI-232H25S125.000000](#) [9102AI-133N25E200.000000](#) [9102AC-](#)
[283N25E200.000000](#) [9001AC-33-33E1-30.0000](#) [8103AC-13-33E-12.00000X](#) [3921AI-2CF-33NZ125.000000](#) [5730-1SF](#) [XUN736000.032768I](#)
[EC3925ETTTTS-100.000M TR](#) [SIT1602BC-83-33E-10.000000Y](#) [8003AI-12-33S-40.00000Y](#)