

PROGRAMMABLE CRYSTAL OSCILLATOR



YSO691ER Low Jitter

Applications

- Any frequency

Features

- One time programmable
- PLL circuit provides wide frequency range application (1-200MHz)
- Low jitter design with new developed IC
- Package Size: 5.0*3.2, 7.0*5.0mm



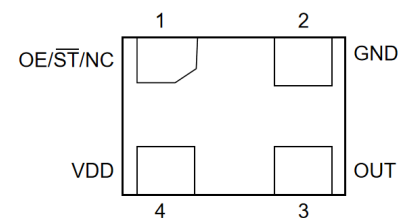
Specifications

| Parameter | 1.8V | 2.5V | 3.3V |
|-------------------------------------|---------------------------------|----------------|----------------|
| Frequency Range | 1MHz to 125MHz | 1MHz to 200MHz | 1MHz to 200MHz |
| Supply Voltage Variation (Vdd)10% | 1.62V~1.98V | 2.25V~2.75V | 2.97V~3.63V |
| Standby Current | 400uA | | |
| Frequency Tolerance | ±20ppm,±25ppm,±50ppm,or specify | | |
| Output Load | 15pF | | |
| Operating Temperature Range | -40~+85℃,or specify | | |
| Storage Temperature Range | -55~+150℃ | | |
| Voltage Vol (Max.) / Vol (Min.) | VOH = 90%Vdd/VOL = 10%Vdd | | |
| Duty Cycle | 45~55% | | |
| Period Jitter (@12K-20Mhz) | 1.8V<1.5ps 2.5V<1.1ps 3.3V< 1ps | | |
| Start-up Time | 7ms Max. | | |
| Supply Current | See Below | | |
| Frequency Aging (at 25℃) | ±3 ppm / year Max. | | |

Pin Dimension

| Pin | Symbol | Functionality | |
|-----|----------|---------------|---|
| 1 | OE/ST/NC | Output Enable | H: specified frequency output L: output is low. Specified frequency output stop. |
| | | Standby | H: specified frequency output L: output is low. Device goes to sleep mode. Supply current reduces to 400uA(Standby Current). |
| | | No Connect | Pin 1 = VDD or Pin 1 is Open : Specified frequency output.Pin 1 has no function |
| 2 | GNG | Power | Electrical ground |
| 3 | OUT | Output | Oscillator output |
| 4 | VDD | Power | Power supply voltage |

Pin Assignments



Current Consumption

| Supply Voltage (V) | Power Dissipation | | | | |
|--------------------|-------------------|------------------|-------------------|--------------------|--------------------|
| | 1.000~30.000MHZ | 31.000~75.000MHZ | 76.000~110.000MHZ | 111.000~166.000MHZ | 167.000~200.000MHZ |
| 1.8V | 18mA max | 19mA max | 20mA max | 20mA max | 20mA max |
| 2.5V | 21mA max | 22mA max | 23mA max | 24mA max | 25mA max |
| 3.3V | 23mA max | 24mA max | 25mA max | 26mA max | 27mA max |

PROGRAMMABLE CRYSTAL OSCILLATOR



YSO691ER Low Jitter

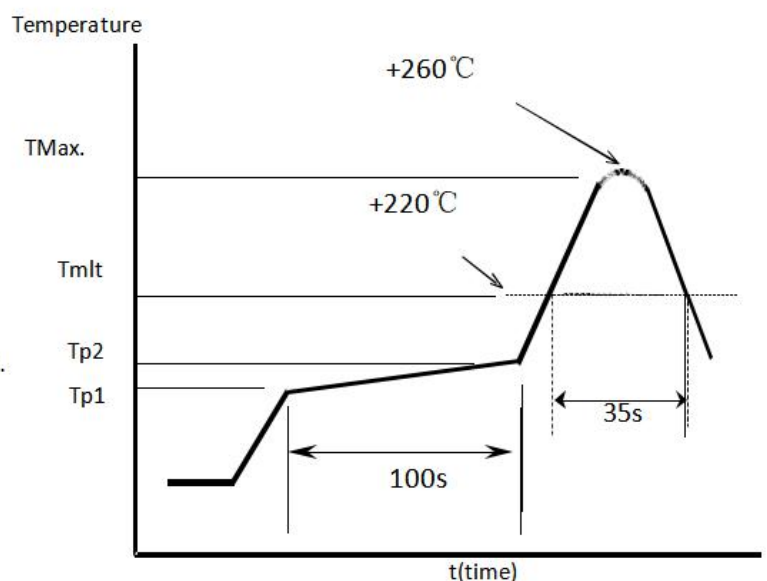
Dimensions and Patterns [unit:mm]

| Package Size – Dimensions (Unit: mm) | Recommended Land Pattern (Unit: mm) |
|--------------------------------------|-------------------------------------|
| <p>7.0*5.0mm</p> | |
| <p>5.0*3.2mm</p> | |

Reflow Soldering Profile

- Pre Heating Temperature
- Tp1 ~ Tp2 = + 170 °C
- Heating Temperature
- TMit = + 220 °C
- Peek Temperature
- TMax. = + 260 °C

Point of measuring
In case of Solder ability Terminal.
In case of Resistance to soldering heat Surface.

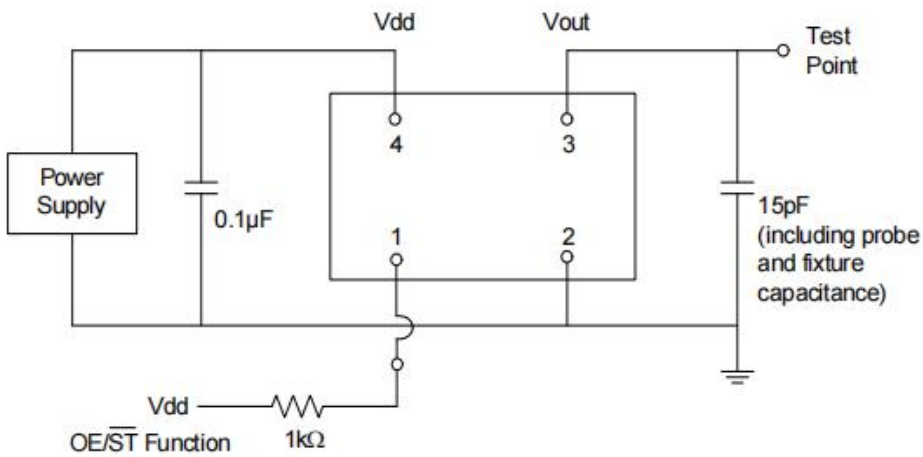


PROGRAMMABLE CRYSTAL OSCILLATOR

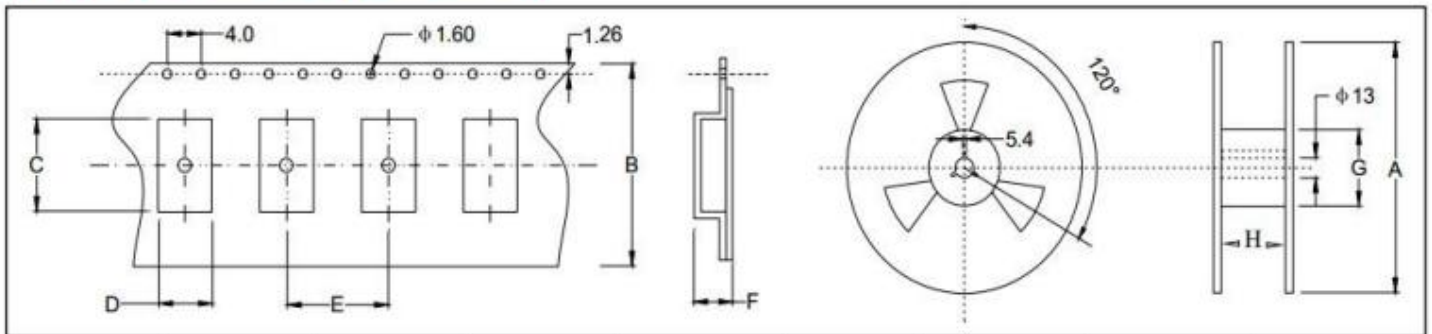
YSO691ER Low Jitter



Test Circuit



Taping Specification (Unit: mm)



| Size(OSC) | A | B | C | D | E | F | G | H |
|-----------|---------|----------|----------|----------|---------|----------|----------|----------|
| SMD-7050 | 180±2.0 | 16.0±0.3 | 7.90±0.1 | 5.60±0.1 | 8.0±0.1 | 1.90±0.1 | 61.0±1.0 | 16.0±1.0 |
| SMD-5032 | 180±2.0 | 12.0±0.3 | 5.60±0.1 | 3.60±0.1 | 8.0±0.1 | 1.90±0.1 | 61.0±1.0 | 12.0±1.0 |

X-ON Electronics

Largest Supplier of Electrical and Electronic Components

Click to view similar products for [Standard Clock Oscillators](#) category:

Click to view products by [Yangxing](#) manufacturer:

Other Similar products are found below :

[601252](#) [F335-25](#) [F535L-33.333](#) [F535L-50](#) [NBXHBA019LN1TAG](#) [SiT1602BI-22-33E-50.000000E](#) [SIT8918AA-11-33S-50.000000G](#)
[SM4420TEV-40.0M-T1K](#) [F335-24](#) [F335-40](#) [F535L-10](#) [F535L-12](#) [F535L-24](#) [F535L-27](#) [PE7744DW-100.0M](#) [ASF1-3.686MHZ-N-K-S](#) [ASV-](#)
[4.000MHZ-LCS-T](#) [XO57CTECNA3M6864](#) [601251](#) [SiT8503AI-18-33E-0.200000X](#) [SIT9122AI2C233E300.000000X](#) [9120AC-2D2-](#)
[33E212.500000](#) [9102AI-243N25E100.000000](#) [8208AC-82-18E-25.000000](#) [8008AI-72-XXE-24.545454E](#) [8004AC-13-33E-133.330000X](#) [AS-](#)
[4.9152-16-SMD-TR](#) [ASFL1-48.000MHZ-LC-T](#) [632L3I004M000000](#) [SIT8920AM-31-33E-25.000000](#) [DSC1028DI2-019.2000](#) [9121AC-2C3-](#)
[25E100.000000](#) [9102AI-233N33E100.000000X](#) [9102AI-233N25E200.000000](#) [9102AI-232H25S125.000000](#) [9102AI-133N25E200.000000](#) [9102AC-](#)
[283N25E200.000000](#) [9001AC-33-33E1-30.000000](#) [8103AC-13-33E-12.000000X](#) [3921AI-2CF-33NZ125.000000](#) [5730-1SF](#) [XUN736000.032768I](#)
[ASV-25.000MHZ-ECS-50-T](#) [EC3925ETTTS-100.000M TR](#) [SIT1602BC-83-33E-10.000000Y](#) [8003AI-12-33S-40.000000Y](#) [1602BI-13-33S-](#)
[19.200000E](#) [8208AI-2F-18E-25.000000X](#) [8103AI-83-33E-33.000000X](#) [8208AI-8F-33E-66.666666X](#)