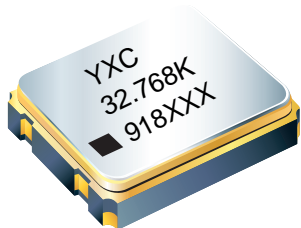




给您一颗快乐的“芯”！

YSO120TK



Features

- Package Size: 2.0*1.6 2.5*2.0 3.2*2.5 5.0*3.2 7.0*5.0mm
- Frequency range: 32.768KHz.
- Ultra Small SMD seam sealed clock crystal oscillator units.
- Applications: WLAN, Bluetooth, RTC, DSL and other IT product.
- Tri-state function available

Electrical Specifications

Item / Type	YSO120TK
Output Frequency Range	32.768KHz
Output Type	CMOS
Supply Voltage	1.8V ~ 3.3V
Oscillation Mode	Fundamental
Frequency Tolerance (at 25)	±10ppm, ±20ppm, or specify
Output Load	15 pF, or specify
Operating Temperature Range	-40~+85 °C , or specify
Frequency Versus Temperature Characteristics	± 20ppm, ± 30ppm, ± 50ppm, or specify
Storage Temperature Range	- 55 ~ + 125 °C
Voltage Vol (Max.) / Vol (Min.)	90%Vdd min./10%Vdd max
Symmetry	45~55%
Rise (Tr) / Fall (Tf) Time	30ns Max.
Start-up Time	3 ms Max.
Supply Current	See Below
Frequency Aging (at 25 °C)	± 3 ppm / year Max.

Dimensions

PAD	#1	#2	#3	#4
FUNCTION	Enable / Disable	GND	OUTPUT	VDD

Notes:

1. To maintain stable operation provide a 0.01uF to 0.1uF by-pass capacitor at a location as near as possible to the power source terminal of the crystal product(between Vcc-GND)

Top View

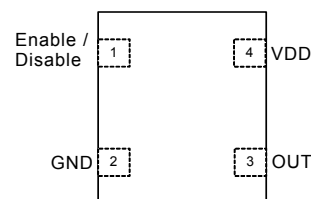


Figure 1. Pin Assignments

Package Size -- Dimensions(Unit:mm)	Recommended layout Pattern (Unit:mm)
2.0x1.6x0.80mm	



YSO120TK

给您一颗快乐的“芯”！



Package Size -- Dimensions(Unit:mm)	Recommended layout Pattern (Unit:mm)
2.5x2.0x0.90mm	
3.2x2.5x1.00mm	
5.0x3.2x1.20mm	
7.0x5.0x1.30mm	



YSO120TK

给您一颗快乐的“芯”！



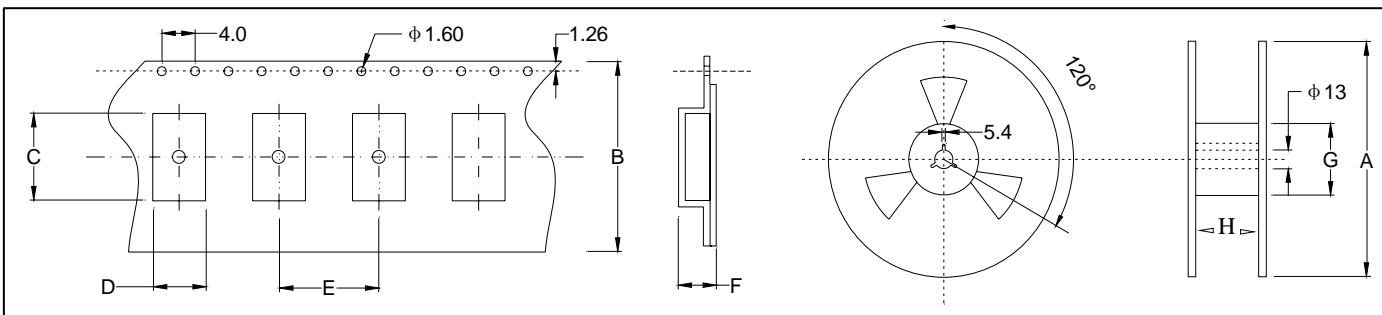
★ PART NUMBER GUIDE 部件号示例 e.g. OK252032.768KJBA4SL YSO120TK=2.5 × 2.0 SMD SEAM TYPE

Quartz Crystal Oscillator	Type Code	Size	Frequency (Hz)	Supply Voltage (V)	Frequency Stability Overall (ppm)	Output	Pin	Material	Operating Temp. Frequency Temp.
O	K	2016 2520 3225 5032 7050	32.768K	J	B	A	4	S	L

★ INPUT CURRENT 工作电流

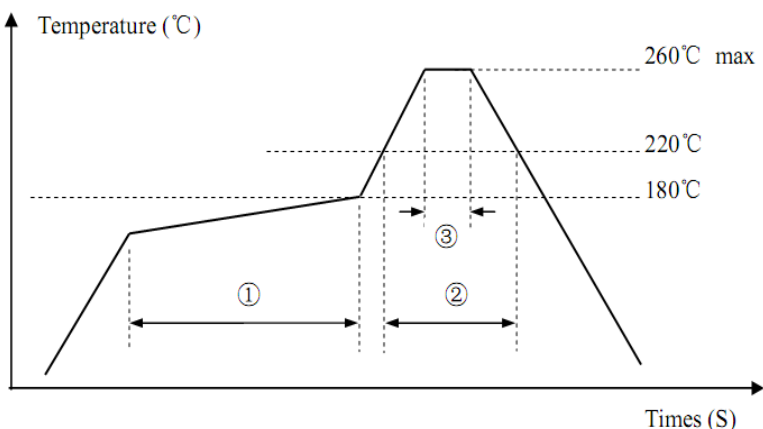
Vdc=1.8~3.3V 15pF only		32.768KHZ	
Frequency	Size	7050/5032/3225	2520/2016
1.8V		0.2mA max	0.2mA max
2.5V		0.3mA max	0.3mA max
3.3V		0.5mA max	0.4mA max

★ TAPING SPECIFICATION (Unit: mm) 编带规格



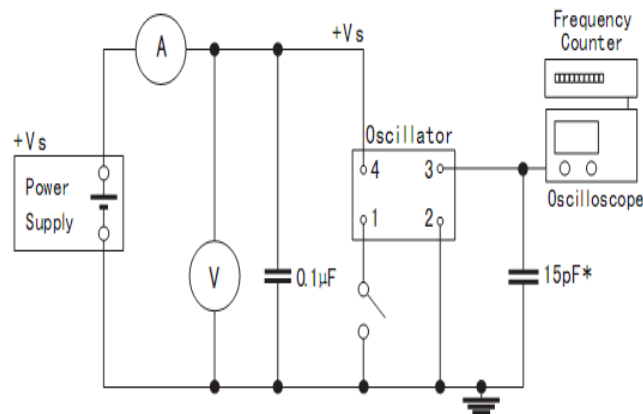
Size	A	B	C	D	E	F	G	H
OSC-SMD7050 1000 pcs	180 ± 2.0	16.0 ± 0.3	7.50 ± 0.10	5.50 ± 0.10	8.00 ± 0.1	2.00 ± 0.1	61.0 ± 1.0	16.0 ± 1.0
OSC-SMD5032 1000 pcs	180 ± 2.0	12.0 ± 0.3	5.40 ± 0.10	3.60 ± 0.10	8.00 ± 0.3	1.70 ± 0.1	61.0 ± 1.0	12.0 ± 1.0
OSC-SMD3225 3000 pcs	180 ± 2.0	8.0 ± 0.3	3.40 ± 0.10	2.70 ± 0.10	4.00 ± 0.1	1.50 ± 0.1	61.0 ± 1.0	8.0 ± 1.0
OSC-SMD2520 3000 pcs	180 ± 2.0	8.0 ± 0.3	2.90 ± 0.10	2.40 ± 0.10	4.00 ± 0.1	1.20 ± 0.1	61.0 ± 1.0	8.0 ± 1.0
OSC-SMD2016 3000 pcs	180 ± 2.0	8.0 ± 0.3	2.30 ± 0.10	1.90 ± 0.10	3.85 ± 0.1	0.95 ± 0.1	61.0 ± 1.0	8.0 ± 1.0

★ REFLOW SOLDERING PROFILE 回流焊特性



Pb free reflow A	①	Preheat	160~180°C	120sec. max
	②	Primary heat	220°C	60sec. max
	③	Peak	260°C	10sec. max.

★ Test Circuit 测试电路



X-ON Electronics

Largest Supplier of Electrical and Electronic Components

Click to view similar products for [Standard Clock Oscillators](#) category:

Click to view products by [Yangxing](#) manufacturer:

Other Similar products are found below :

[EP1400SJTSC-125.000M](#) [601137](#) [601252](#) [CSX750FBC-24.000M-UT](#) [CSX750FBC-33.333M-UT](#) [CSX750FCC-3.6864M-UT](#) [F335-12](#) [F335-25](#) [F535L-50](#) [DSC506-03FM2](#) [ASA-20.000MHZ-L-T](#) [ASA-25.000MHZ-L-T](#) [ASA-27.000MHZ-L-T](#) [ASV-20.000MHZ-LR-T](#) [ECS-2018-160-BN-TR](#) [EL13C7-H2F-125.00M](#) [MXO45HS-2C-66.6666MHZ](#) [NBXDBB017LN1TAG](#) [NBXHBA019LN1TAG](#) [SiT1602BI-22-33E-50.000000E](#) [SIT8003AC-11-33S-2.04800X](#) [SiT8256AC-23-33E-156.250000X](#) [SIT8918AA-11-33S-50.000000G](#) [SM4420TEV-40.0M-T1K](#) [SMA4306-TL-H](#) [F335-24](#) [F335-40](#) [F335-50](#) [F535L-10](#) [F535L-12](#) [F535L-16](#) [F535L-24](#) [F535L-27](#) [F535L-48](#) [PE7744DW-100.0M](#) [CSX750FBC-20.000M-UT](#) [CSX-750FBC33333000T](#) [CSX750FBC-4.000M-UT](#) [CSX750FBC-7.3728M-UT](#) [CSX750FBC-8.000M-UT](#) [CSX-750FCC14745600T](#) [CSX750FCC-16.000M-UT](#) [CSX-750FCC40000000T](#) [CSX750FCC-4.000M-UT](#) [ASA-22.000MHZ-L-T](#) [ASA2-26.000MHZ-L-T](#) [ASA-40.000MHZ-L-T](#) [ASA-48.000MHZ-L-T](#) [ASA-60.000MHZ-L-T](#) [ASF1-3.686MHZ-N-K-S](#)