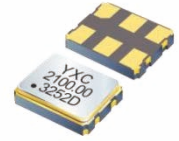


# Differential Oscillator

## YSO231LJ



### Applications

- 10 GB Ethernet, SONET, SATA, SAS, Fibre Channel

### Features

- Femto Second Integrated Phase Jitter ( 50fs typical, 12KHz ~ 20mHz )
- Output LVPECL, HCSSL or LVDS
- Superior Phase Noise ( -157 dBc/Hz at 100 KHz and -164 dBc/Hz at 10mHz offset )
- Package Size: 2.5\*2.0mm, 3.2\*2.5mm, 5.0\*3.2mm, 7.0\*5.0mm

## Specifications (规格参数)

Item / Type	LVPECL	LVDS	HCSSL				
Output Frequency Range 额定频率范围	100 ~ 250MHZ	100 ~ 250MHZ	100 ~ 175MHZ				
Supply Voltage 电源电压	2.5V, 3.3V	1.8V, 2.5V, 3.3V	1.8V, 2.5V, 3.3V				
Operating Temperature Range 工作温度	-40~+85°C, or specify						
Storage Temperature Range 储存温度	-55 ~ +150°C						
Total Stability 频率偏差	±25ppm, ±50ppm, ±100ppmor specify						
Current Consumption 消耗电流	52mA (Typ) 65mA (Max)	22mA (Typ) 30mA (Max)	32mA (Typ) 40mA (Max)				
Output Swing ( single-end ) 输出电压摆幅	400mV (Min)	200mV (Min)	450mV (Min)				
Output Load Condition 输出负载	50Ω into VDD - 2.0V or Thevenin equivalent	100Ω between output and complimentary output	50Ω to ground on each output				
Input Voltage 输入电压	VIH=70% VDD Min, VIL=30%VDD Max						
Duty Cycle 占空比	45~55%						
Rise Time/Fall Time ( 20%↔80% of waveform ) 上升沿/下降沿	0.4nS (Max)	0.3nS (Max)	0.6nS (Max)				
Start-up Time 启动时间	1ms (Typ) ; 5ms (Max)						
Aging at Ta = +25°C 老化率	± 3 ppm (Max) first year ; ± 2 ppm (Max) per year thereafter						
RMS Jitter ( 12 KHz to 20mHz ) 相位抖动	50 fsec ( Typ ) , 300 fsec (Max) [ For 125mHz , LVDS , 3.3V ]						
Phase Noise [ dBc / Hz ( Typ ) ] 相位噪声	Offset	100Hz	1KHz	10KHz	100KHz	1MHz	10MHz
	125.0MHz	-114	-135	-147	-157	-163	-164
	156.250MHz	-108	-132	-141	-152	-160	-161

# Differential Oscillator

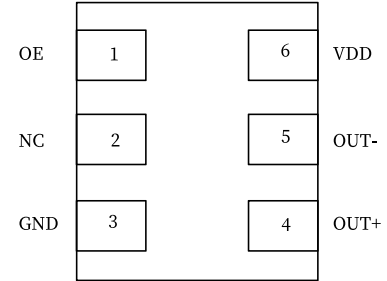
## YSO231LJ



### Pin Dimension (脚位尺寸)

Pin	#1	#2	#3
FUNCTION	Output Enable	No Connection	Ground
Pin	#4	#5	#6
FUNCTION	Output	Complementary	Supply Voltage

### Pin Assignments



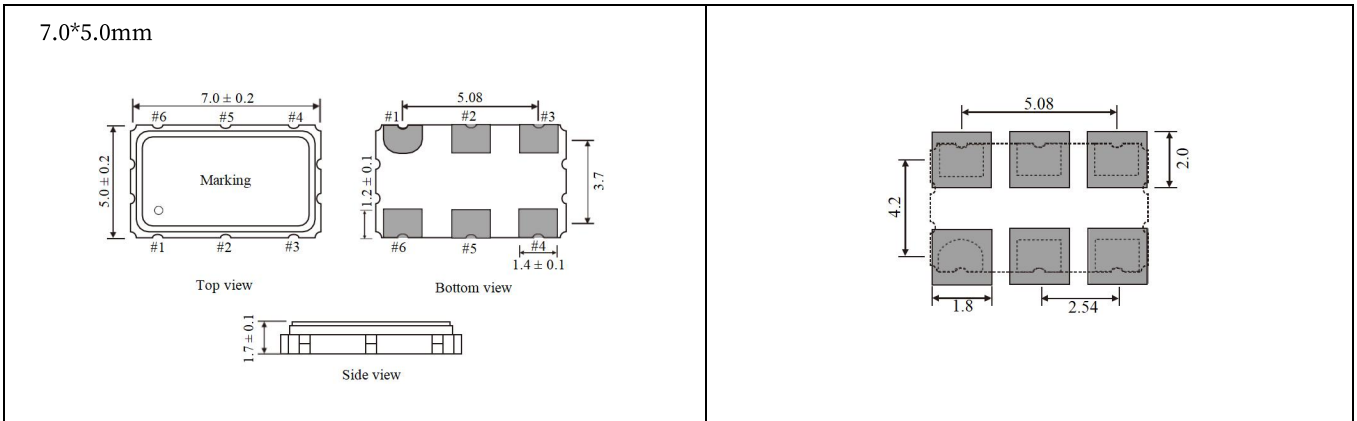
Top View

### Dimensions and Recommended Land Pattern (外观尺寸及推荐焊盘)

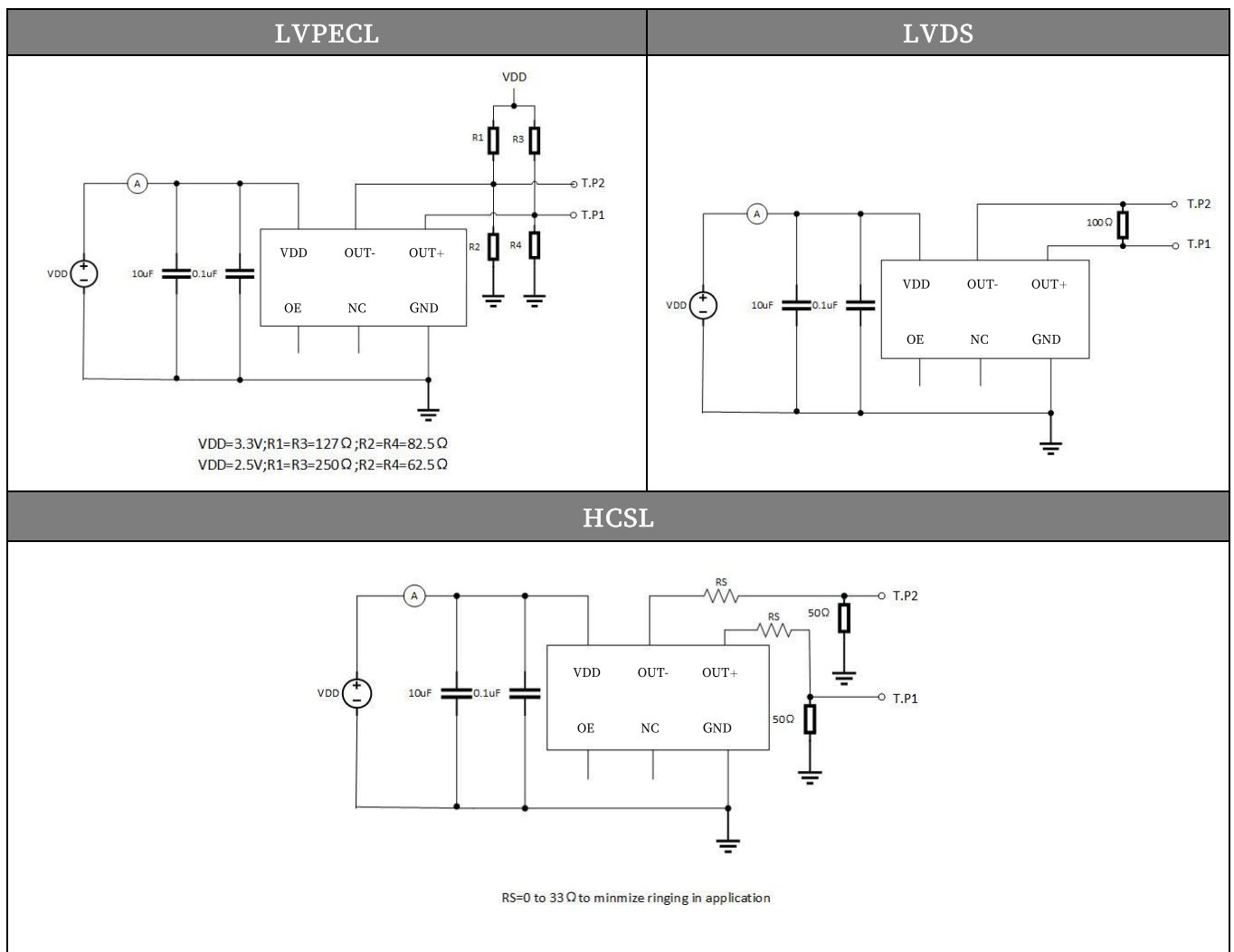
Dimensions (Unit: mm)	Recommended Land Pattern (Unit: mm)
<p>2.5*2.0mm</p>	
<p>3.2*2.5mm</p>	
<p>5.0*3.2mm</p>	

# Differential Oscillator

## YSO231LJ



### Test Circuit (测试电路)



## X-ON Electronics

Largest Supplier of Electrical and Electronic Components

*Click to view similar products for [Standard Clock Oscillators](#) category:*

*Click to view products by [Yangxing](#) manufacturer:*

Other Similar products are found below :

[601252](#) [F335-25](#) [F535L-33.333](#) [F535L-50](#) [NBXHBA019LN1TAG](#) [SiT1602BI-22-33E-50.000000E](#) [SIT8918AA-11-33S-50.000000G](#)  
[SM4420TEV-40.0M-T1K](#) [F335-24](#) [F335-40](#) [F535L-10](#) [F535L-12](#) [F535L-24](#) [F535L-27](#) [PE7744DW-100.0M](#) [ASF1-3.686MHZ-N-K-S](#) [ASV-](#)  
[4.000MHZ-LCS-T](#) [XO57CTECNA3M6864](#) [601251](#) [SiT8503AI-18-33E-0.200000X](#) [SIT9122AI2C233E300.000000X](#) [9120AC-2D2-](#)  
[33E212.500000](#) [9102AI-243N25E100.000000](#) [8208AC-82-18E-25.000000](#) [8008AI-72-XXE-24.545454E](#) [8004AC-13-33E-133.330000X](#) [AS-](#)  
[4.9152-16-SMD-TR](#) [ASFL1-48.000MHZ-LC-T](#) [632L3I004M000000](#) [SIT8920AM-31-33E-25.000000](#) [DSC1028DI2-019.2000](#) [9121AC-2C3-](#)  
[25E100.000000](#) [9102AI-233N33E100.000000X](#) [9102AI-233N25E200.000000](#) [9102AI-232H25S125.000000](#) [9102AI-133N25E200.000000](#) [9102AC-](#)  
[283N25E200.000000](#) [9001AC-33-33E1-30.000000](#) [8103AC-13-33E-12.000000X](#) [3921AI-2CF-33NZ125.000000](#) [5730-1SF](#) [XUN736000.032768I](#)  
[ASV-25.000MHZ-ECS-50-T](#) [EC3925ETTTS-100.000M TR](#) [SIT1602BC-83-33E-10.000000Y](#) [8003AI-12-33S-40.000000Y](#) [1602BI-13-33S-](#)  
[19.200000E](#) [8208AI-2F-18E-25.000000X](#) [8103AI-83-33E-33.000000X](#) [8208AI-8F-33E-66.666666X](#)