

Crystal Oscillator

YSO110TR Wide Voltage

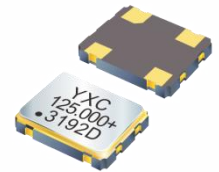


Applications

- Consumer Electronics
- Industrial Control
- IOT

Features

- Frequency range: 1MHz-54MHz..
- Ultra Small SMD seam sealed crystal oscillator units.
- Package Size: 1.6*1.2, 2.0*1.6, 2.5*2.0, 3.2*2.5, 5.0*3.2, 7.0*5.0mm



Specifications (规格参数)

Item	Symbol	Specifications
Frequency Range (额定频率范围)	f _o	1MHz to 54MHz, or specify
Supply Voltage (电源电压)	V _{cc}	1.8V~3.3V
Output Type (输出方式)	-	CMOS
Frequency Tolerance (频率偏差) (at 25°C)	f _{tol}	±10ppm, ±20ppm, or specify
Output Load (输出负载)	L _{cmos}	15pF
Operating Temperature (工作温度)	T _{use}	-40~+85°C, or specify
Storage Temperature (储存温度)	T _{stg}	-55~+125°C
Frequency Versus Temperature Characteristics (频率-温度特性)	f _{tem}	± 20ppm, ± 30ppm, ± 50ppm, or specify
Duty Cycle (占空比)	SYM	45~55%
Start-up Time (启动时间)	t _{str}	3ms Max.
Rise Time/Fall Time (上升沿/下降沿)	tr/tf	4ns Max
Phase Jitter [12 kHz ~ 20 MHz] (相位抖动)	tpj	0.7ps max
Frequency Aging (老化) (at 25°C)	f _{age}	±3ppm/year Max.

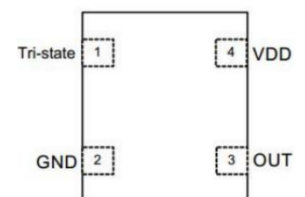
Current Consumption (消耗电流)

Power Dissipation V _{cc} =1.8~3.3V 15pF only				
Supply Voltage (V)	1.000~40.000MHZ		41.000~54.000MHZ	
	7050/5032/3225	2520/2016/1612	7050/5032/3225/2520	2016/1612
1.8V	4mA max	4mA max	9mA max	10mA max
2.5V	4.5mA max		10mA max	
3.3V	5mA max		12mA max	

Pin Dimension (脚位尺寸)

Pin	#1	#2	#3	#4
FUNCTION	Tri-state	GND	OUTPUT	VDD

Pin Assignments

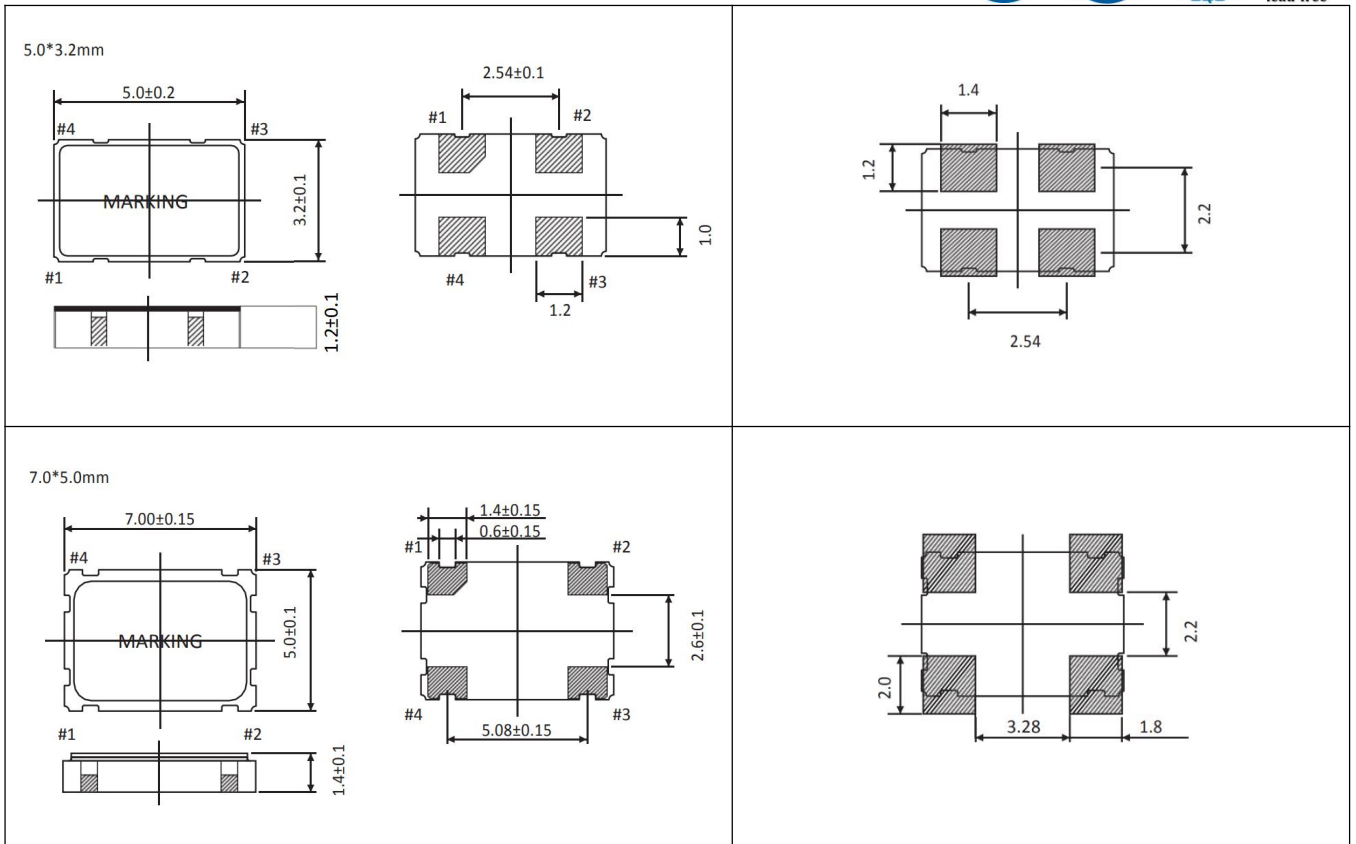


*The picture on the right is only for PIN function description.

Dimensions and Recommended land pattern (外观尺寸及推荐焊盘)

Package Size - Dimensions(Unit:mm)	Recommended Land Pattern(Unit:mm)
<p>1.6*1.2mm</p>	
<p>2.0*1.6mm</p>	
<p>2.5*2.0mm</p>	
<p>3.2*2.5mm</p>	

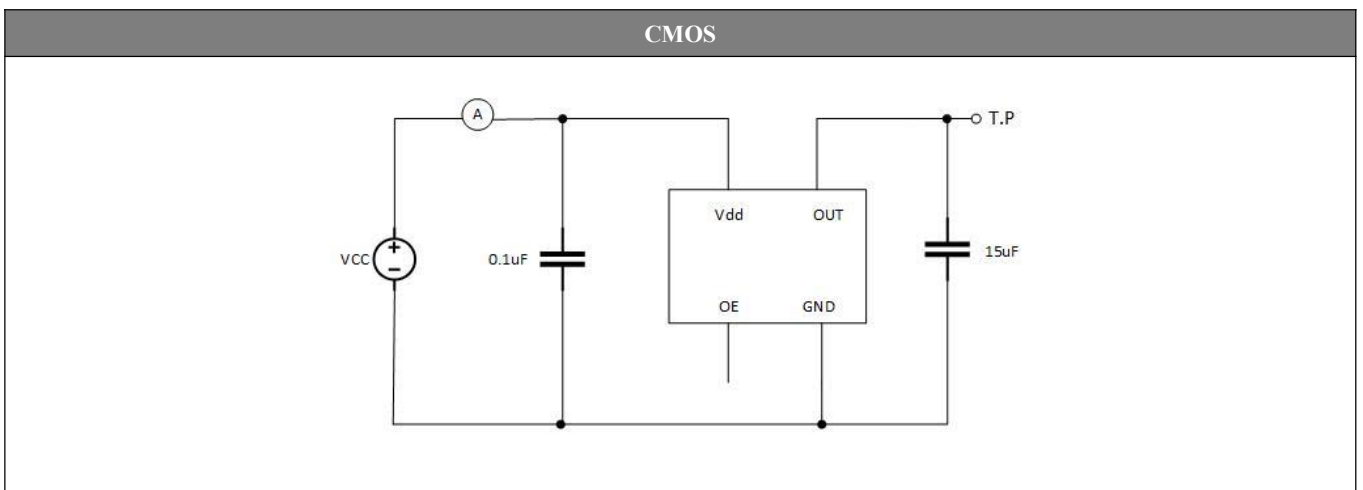
YSO110TR Wide Voltage



Notes:

1. A capacitor value-0.01uf~0.1uf or higher between Vdd and GND is required.

Test Circuit (测试电路)



X-ON Electronics

Largest Supplier of Electrical and Electronic Components

Click to view similar products for [Crystals](#) category:

Click to view products by [Yangxing](#) manufacturer:

Other Similar products are found below :

[CX3225GB25000M0PPSZ1](#) [718-13.2-1](#) [7A-40.000MAAE-T](#) [FL2000085](#) [99-BU](#) [9B-15.360MBBK-B](#) [9C-7.680MBBK-T](#) [H10S-12.000-18-EXT-TR](#) [ABC2-6.000MHZ-D4Z-T](#) [ABLS-20.000MHZ-D2-T](#) [ABM3B-27.000MHZ-D4Y-T](#) [ABS071-32.768KHZ-6-T](#) [R38-32.768-12.5-5PPM-NPB](#) [BTD1062E05A-513](#) [21U15A-21.4MHZ](#) [RTX-781DF1-S-20.950](#) [LFXTAL066198Cutt](#) [9C-14.31818MBBK-T](#) [A-11.000MHZ-27](#) [ABL-27.000MHZ-B4Y-T](#) [ABM11-132-24.000MHZ-T3](#) [ABM3B1-25.000MHZ-D2Y-T](#) [SPT2A-.032768B](#) [SPT2A.032768G](#) [SSPT7F-9PF20-R](#) [LFXTAL065253Cutt](#) [LFXTAL066431Cutt](#) [XT9S20ANA14M7456](#) [XT9SNLANA16M](#) [7A-24.576MBBK-T](#) [7B-30.000MBBK-T](#) [MMCC2R32.7680KHZ](#) [7A-14.31818MBBK-T](#) [6504-202-1501](#) [6526-202-1501](#) [ABLS-12.000MHZ-B2Y-T](#) [7A-10.000MBBK-T](#) [SG636PCE-20.000MC](#) [3404](#) [E1SAA18-25.000M](#) [TR](#) [CM315D32768EZFT](#) [C1E-24.000-7-2020-R](#) [C1E-19.200-12-1530-X-R](#) [C1E-16.000-12-1530-X-R](#) [ABM11-16.000MHZ-9-B1U-T](#) [FL5000014](#) [EUCA18-3.1872M](#) [FX0800015](#) [425F35E027M0000](#) [FP0800018](#)