

Temperature Compensated Crystal Oscillator

YSO510TP TCXO

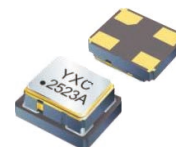


Applications

- Networking
- Industrial

Features

- Frequency Stability as Tight as ± 1.0 ppm Over -40°C to 85°C
- Ultra Small SMD Seam Sealed Crystal Oscillator
- Package Size : 2.0*1.6, 2.5*2.0, 3.2*2.5, 5.0*3.2, 7.0*5.0mm



Specifications (规格参数)

Item/Type	Clipped Sine Wave or CMOS					
Package Size 封装尺寸	2.0 x 1.6	2.5 x 2.0	3.2 x 2.5	5.0 x 3.2	7.0 x 5.0	
Frequency Range 额定频率范围	26 ~ 52MHz	13 ~ 52MHz	13 ~ 52MHz	6.4 ~ 52MHz	6.4 ~ 52MHz	
Supply Voltage 电源电压	1.8V, 2.5V, 3V, 3.3V					
Operating Temperature Range 工作温度	$-30 \sim +85^{\circ}\text{C}$, or specify					
Storage Temperature Range 储存温度	-40°C to $+85^{\circ}\text{C}$					
Output Type 输出方式	Clipped Sine wave or CMOS					
Current Consumption (max.) 消耗电流	10~15MHz: 1.5mA ; 15.1~26MHz: 2mA ; 26.1~52MHz: 3.5mA					
Duty Cycle 占空比	45~55%					
Output Voltage Level (peak to peak) 峰峰值	0.8 Vp-p (min.) (CMOS)					
Start-up Time 启动时间	2.0msec(typ.), 5.0msec(max.) (reach 90% amplitude and at $+25^{\circ}\text{C} \pm 2^{\circ}\text{C}$)					
Initial Calibration Tolerance 初始校准公差	± 2.0 ppm (max.) at $+25^{\circ}\text{C} \pm 2^{\circ}\text{C}$ (at the shipment)					
Output Load 输出负载	10K Ω // 10pF $\pm 10\%$ or 15pF					
Frequency Stability 频率偏差	vs Aging at Ta = $+25^{\circ}\text{C}$	± 1.0 ppm / year (max.)				
	vs Voltage Change	± 0.2 ppm (max.) , for a $\pm 5\%$ input voltage change				
	vs Load Change	± 0.2 ppm (max.) , for a $\pm 10\%$ load condition change				
	vs Reflow	± 2.5 ppm (max.)				
	vs Temperature Change	± 0.28 ppm / ± 0.5 ppm / ± 1.5 ppm / ± 2.5 ppm				
Phase Noise [dBc / Hz ; (typ.)] 相位噪声	Offset	10 Hz	100 Hz	1 KHz	10 KHz	10 KHz
	13.0 MHz	-80 (max)	-115	-135	-148	-148(min)

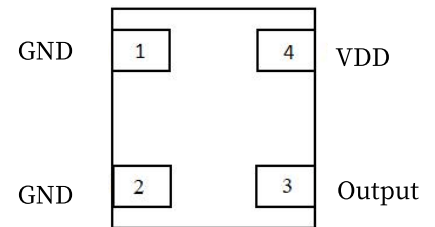
Temperature Compensated Crystal Oscillator YSO510TP TCXO



Pin Dimension (脚位尺寸)

Pin	#1	#2	#3	#4
Function	Ground	Ground	Output	Supply Voltage

Pin Assignments



Top View

Dimensions and Recommended Land Pattern (外观尺寸及推荐焊盘)

Dimensions (Unit: mm)	Recommended Land Pattern (Unit: mm)
<p>2.0*1.6mm</p>	
<p>2.5*2.0mm</p>	<p>Pad Connections : Pad 2、Pad 5 : N.C</p>

Temperature Compensated Crystal Oscillator

YSO510TP TCXO

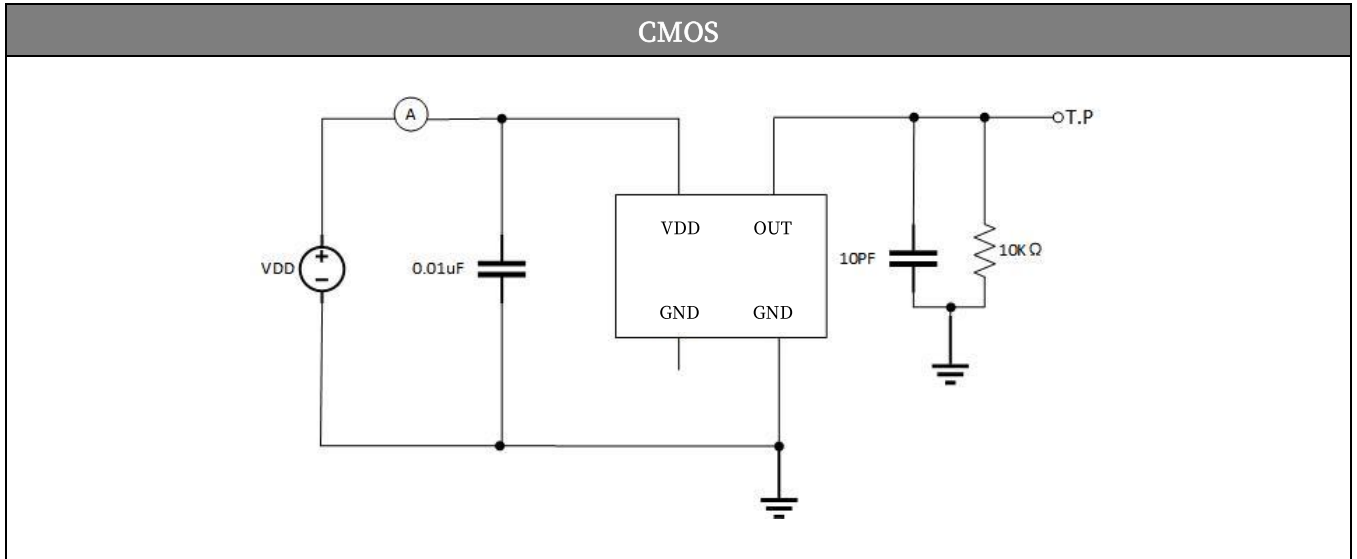


<p>3.2*2.5mm</p>	
<p>5.0*3.2mm</p>	
<p>7.0*5.0mm</p>	
<p>Notes:</p> <p>1.A capacitor of value 0.01uf~0.1uf or higher between Vdd and GND is required.</p>	

Temperature Compensated Crystal Oscillator YSO510TP TCXO



Test Circuit (测试电路)



X-ON Electronics

Largest Supplier of Electrical and Electronic Components

Click to view similar products for [TCXO Oscillators](#) category:

Click to view products by [Yangxing](#) manufacturer:

Other Similar products are found below :

[AST3TQ-40.000MHZ-5](#) [SIT5000ACC8E-33VQ-19.200000X](#) [SiT5001AI-2E-33N0-48.000000X](#) [TG3225CEN 25.0000M-KFGNNAB](#)
[SIT5001AI-2E-33N0-24.000000x](#) [SIT1566AC-JV-18E-32.768E](#) [AST3TDATAACJ5-10.0000MHz](#) [AST3TDATAACJ5-20.0000MHz](#)
[AST3TDA53TACJ2-38.8800MHz](#) [AST3TDATAACJ5-38.8800MHz](#) [NT0503CC3I287EN10](#) [NT0503CH3I287CN25](#) [NT0503CH3I287CN30.72](#)
[NT0503CC3I287DN20](#) [TG-3541CE 32.7680KXB0](#) [KT1612A26000AAW18TBL](#) [KT1612A26000AAW18NBL](#) [TG-5006CG-12H 26.0000M0](#)
[TG2520SMN 38.4000M-MCGNNM3](#) [TG-5006CG-28L 52.0000MX](#) [X1G004131000900](#) [X1G0041310042](#) [1XXC26000PKA](#)
[X1G005441030316](#) [X1G005441020616](#) [X1G005441030416](#) [X1G005421020416](#) [X1G005441020316](#) [7L26002007](#) [1XTV12800MDA](#)
[X1G005421031215](#) [X1G005421020516](#) [SX1T19.200B010J020S](#) [T132S4-25000ML33DTL](#) [X1G0053710200](#) [NT0503CH3I287EN10](#) [8153H-](#)
[50.000LH33DTL](#) [NT0503EH3I106EN10](#) [NT0503CH3I207EN10](#) [NT0507BH3I507EA10](#) [BT0507BC3I287CN38.4B](#) [NT0507BH3I106BA50](#)
[NT0503CH3I507CN24.576](#) [OW2EL89CENUXFMYLC-16M](#) [OW2EL89CENUXFMYLC-32M](#) [OW7EL89CENUYO3YLC-24M](#)
[OW3EL89CENUNFAYLC-26M](#) [OW7EL89CENUYO3YLC-20M](#) [OW7EL89CENUNFAYLC-52M](#) [OW2EL89CEI-XFMYLC-25M](#)