

YT-38M



Features



- External dimensions: 3.0 x 8.0 mm.
- Frequency range: 6 ~ 27 MHz
- Frequency tolerance(standard): ± 20 ppm.
- Excellent Reliability Performance.
- Applications: clock and Microcomputer.

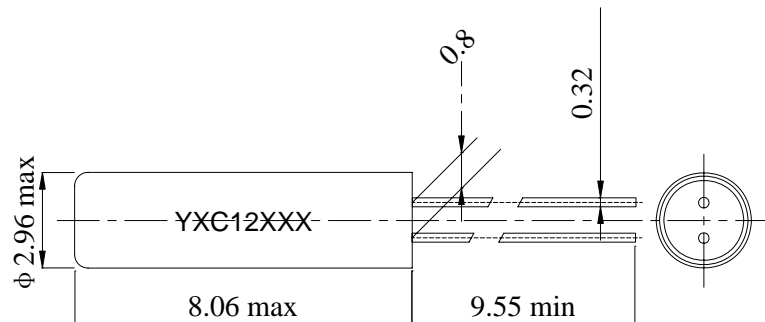
Electrical Specifications

| Item / Type | YT-38M |
|--|--|
| Nominal Frequency Range | 6 ~ 27 MHz |
| Vibration Mode | AT Fundamental |
| Load Capacitance | 20pF , or specify |
| Frequency Tolerance (at 25 °C) | ± 10 ppm, ± 20 ppm, or specify |
| Frequency Versus Temperature Characteristics | ± 20 ppm, or specify |
| Operating Temperature | - 20 ~ + 70 °C , - 40 ~ + 85 °C , or specify |
| Storage Temperature | -40~+85 °C , or specify |
| Shunt Capacitance | 7 pF Max. |
| Level Of Drive | 1 ~ 100 μ W (1.0 μ W Tvp) |
| Insulation Resistance | More Than 500M Ω at DC 100V |
| Frequency Aging (at 25 °C) | ± 3 ppm / year Max. |

Equivalent Series Resistance(ESR)

| Fundamental | |
|-----------------------|-------------------|
| 6. 000-9. 999MHz | 120 Ω Max. |
| 10. 000-19. 999MHz | 100 Ω Max. |
| 20. 000MHz-27. 000MHz | 80 Ω Max. |

Dimensions



Units: mm(± 0.1 mm)

YT-38M



★ PART NUMBER GUIDE 部件号示例 *e.g. X308012MSD2SC*

YT-38M = 3.0x8.0 SMD SEAM TYPE

| Quartz Crystal Resonator | Dimensions | Frequency (Hz) | Load Capacitance (Pf) | Frequency Stability Overall (ppm) | Pin | Material | Operating Temp. Range |
|--------------------------|------------|----------------|-----------------------|-----------------------------------|-----|----------|-----------------------|
| X | 3080 | 12M | S | D | 2 | S | C |

| Load Capacitance (Pf) | |
|-----------------------|--------|
| S | 20pF |
| G | 12.5pF |

| Frequency tolerance | |
|---------------------|--------|
| B | ±10PPM |
| D | ±20PPM |

| Operating temperature | |
|-----------------------|------------|
| C | -20~ +70°C |
| I | -40~ +85°C |

X-ON Electronics

Largest Supplier of Electrical and Electronic Components

Click to view similar products for [Crystals](#) category:

Click to view products by [Yangxing](#) manufacturer:

Other Similar products are found below :

[CX3225GB25000M0PPSZ1](#) [718-13.2-1](#) [MC405 32.0000K-R3:PURE SN](#) [7A-40.000MAAE-T](#) [FL2000085](#) [99-BU](#) [9B-15.360MBBK-B](#) [9C-7.680MBBK-T](#) [H10S-12.000-18-EXT-TR](#) [ABC2-6.000MHZ-D4Z-T](#) [ABLS-20.000MHZ-D2-T](#) [ABS071-32.768KHZ-6-T](#) [R38-32.768-12.5-5PPM-NPB](#) [BTD1062E05A-513](#) [21U15A-21.4MHZ](#) [RTX-781DF1-S-20.950](#) [LFXTAL066198Cutt](#) [9C-14.31818MBBK-T](#) [A-11.000MHZ-27](#) [ABL-27.000MHZ-B4Y-T](#) [ABM11-132-24.000MHZ-T3](#) [ABM3B1-25.000MHZ-D2Y-T](#) [SPT2A-.032768B](#) [SPT2A.032768G](#) [SSPT7F-9PF20-R](#) [FX325BS-38.88EEM1201](#) [LFXTAL065253Cutt](#) [LFXTAL066431Cutt](#) [XT9S20ANA14M7456](#) [XT9SNLANA16M](#) [646G-24-2](#) [7A-24.576MBBK-T](#) [7B-30.000MBBK-T](#) [7A-14.31818MBBK-T](#) [6504-202-1501](#) [6526-202-1501](#) [ABLS-12.000MHZ-B2Y-T](#) [ABLS-10.000MHZ-D3W-T](#) [7A-10.000MBBK-T](#) [SG636PCE-20.000MC](#) [3404](#) [E1SAA18-25.000M TR](#) [CM315D32768EZFT](#) [C1E-24.000-7-2020-R](#) [C1E-19.200-12-1530-X-R](#) [C1E-16.000-12-1530-X-R](#) [FL5000014](#) [EUCA18-3.1872M](#) [FX0800015](#) [425F35E027M0000](#)