

# YT-38M



## Features



- External dimensions: 3.0 x 8.0 mm.
- Frequency range: 6 ~ 27 MHz
- Frequency tolerance(standard):  $\pm 20$ ppm.
- Excellent Reliability Performance.
- Applications: clock and Microcomputer.

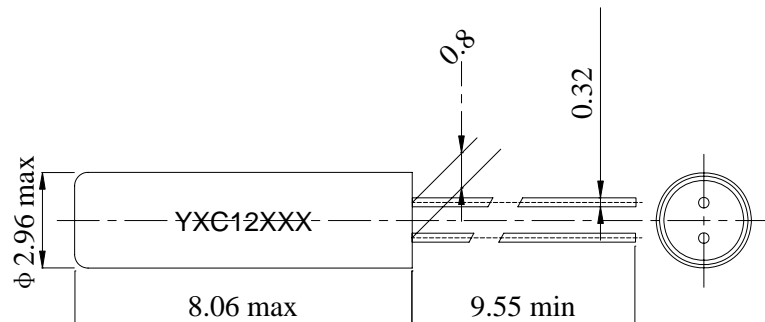
## Electrical Specifications

Item / Type	YT-38M
Nominal Frequency Range	6 ~ 27 MHz
Vibration Mode	AT Fundamental
Load Capacitance	20pF , or specify
Frequency Tolerance (at 25 °C)	$\pm 10$ ppm, $\pm 20$ ppm, or specify
Frequency Versus Temperature Characteristics	$\pm 20$ ppm, or specify
Operating Temperature	- 20 ~ + 70 °C , - 40 ~ + 85 °C , or specify
Storage Temperature	-40~+85 °C , or specify
Shunt Capacitance	7 pF Max.
Level Of Drive	1 ~ 100 $\mu$ W ( 1.0 $\mu$ W Tvp )
Insulation Resistance	More Than 500M $\Omega$ at DC 100V
Frequency Aging (at 25 °C)	$\pm 3$ ppm / year Max.

## Equivalent Series Resistance(ESR)

Fundamental	
6. 000-9. 999MHz	120 $\Omega$ Max.
10. 000-19. 999MHz	100 $\Omega$ Max.
20. 000MHz-27. 000MHz	80 $\Omega$ Max.

## Dimensions



Units: mm(  $\pm 0.1$ mm)

# YT-38M



★ PART NUMBER GUIDE 部件号示例 e.g. X308012MSD2SC

YT-38M = 3.0x8.0 SMD SEAM TYPE

Quartz Crystal Resonator	Dimensions	Frequency (Hz)	Load Capacitance (Pf)	Frequency Stability Overall (ppm)	Pin	Material	Operating Temp. Range
X	3080	12M	S	D	2	S	C

Load Capacitance (Pf)	
S	20pF
G	12.5pF

Frequency tolerance	
B	±10PPM
D	±20PPM

Operating temperature	
C	-20~ +70°C
I	-40~ +85°C

## X-ON Electronics

Largest Supplier of Electrical and Electronic Components

*Click to view similar products for [Crystals](#) category:*

*Click to view products by [Yangxing](#) manufacturer:*

Other Similar products are found below :

[CX3225GB25000M0PPSZ1](#) [718-13.2-1](#) [MC405 32.0000K-R3:PURE SN](#) [7A-40.000MAAE-T](#) [FL2000085](#) [99-BU](#) [9B-15.360MBBK-B](#) [9C-7.680MBBK-T](#) [H10S-12.000-18-EXT-TR](#) [ABC2-6.000MHZ-D4Z-T](#) [ABLS-20.000MHZ-D2-T](#) [ABS071-32.768KHZ-6-T](#) [R38-32.768-12.5-5PPM-NPB](#) [BTD1062E05A-513](#) [21U15A-21.4MHZ](#) [RTX-781DF1-S-20.950](#) [LFXTAL066198Cutt](#) [9C-14.31818MBBK-T](#) [A-11.000MHZ-27](#) [ABL-27.000MHZ-B4Y-T](#) [ABM11-132-24.000MHZ-T3](#) [ABM3B1-25.000MHZ-D2Y-T](#) [SPT2A-.032768B](#) [SPT2A.032768G](#) [SSPT7F-9PF20-R](#) [FX325BS-38.88EEM1201](#) [LFXTAL065253Cutt](#) [LFXTAL066431Cutt](#) [XT9S20ANA14M7456](#) [XT9SNLANA16M](#) [646G-24-2](#) [7A-24.576MBBK-T](#) [7B-30.000MBBK-T](#) [7A-14.31818MBBK-T](#) [6504-202-1501](#) [6526-202-1501](#) [ABLS-12.000MHZ-B2Y-T](#) [ABLS-10.000MHZ-D3W-T](#) [7A-10.000MBBK-T](#) [SG636PCE-20.000MC](#) [3404](#) [E1SAA18-25.000M TR](#) [CM315D32768EZFT](#) [C1E-24.000-7-2020-R](#) [C1E-19.200-12-1530-X-R](#) [C1E-16.000-12-1530-X-R](#) [FL5000014](#) [EUCA18-3.1872M](#) [FX0800015](#) [425F35E027M0000](#)