



Features

- External dimensions: 3.2 x 1.5 x 0.75 mm.
- Frequency range: 32.768KHz.
- 2 pads surface mount package.
- Application for NB, Smart Phone, variety of compact portable consumer products reference clocks.
- High reliable environmental performance.

Electrical Specifications

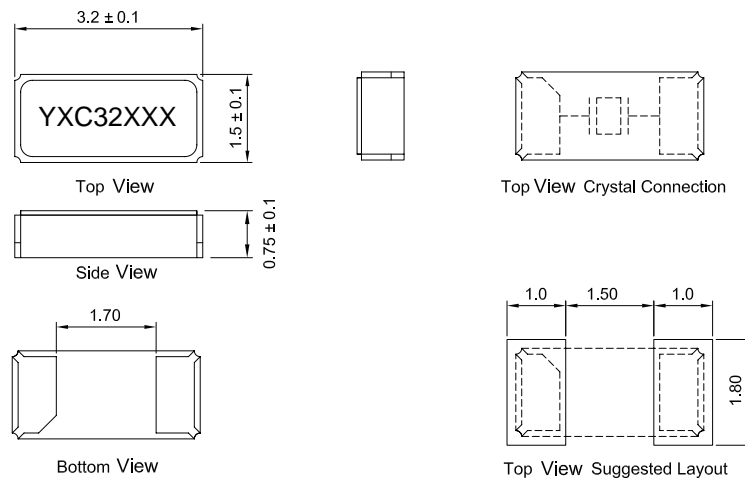
Item / Type	YST310S
Nominal Frequency Range	32.768 KHz
Vibration Mode	AT Fundamental
Load Capacitance	12.5 pF, or specify
Frequency Tolerance (at 25 °C)	± 10 ppm, ± 20 ppm, or specify
Operating Temperature	- 40 ~ + 85 °C
Storage Temperature	- 55 ~ +125 °C
Shunt Capacitance	1.5pF typical
Level Of Drive	0.1 μW Max.
Frequency Aging (at 25 °C)	± 3 ppm / year Max.
Insulation Resistance	500 MΩ Min.
Motional Capacitance	6.7pF typical
Turnover Temperature	25 °C ± 5 °C
Parabolic Coefficient	$(- 0.03 \pm 0.01) * 10^{-6} / ^\circ\text{C}^2$

Equivalent Series Resistance(ESR)

Fundamental

70 KΩ Max

Dimensions

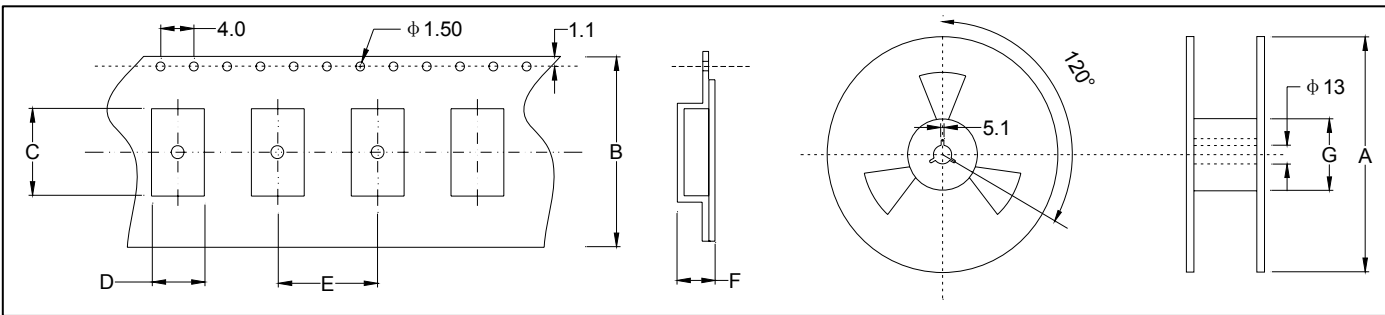


Units: mm

★ PART NUMBER GUIDE 部件号示例 e.g. X321532768KGD2SI YST310S =3.2 ×1.5 SMD SEAM TYPE

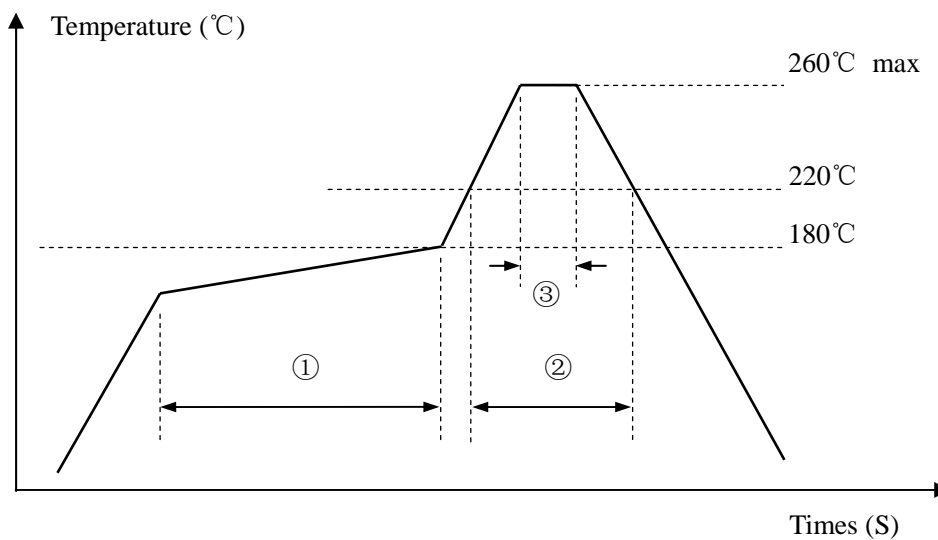
Quartz Crystal Resonator	Dimensions	Frequency (Hz)	Load Capacitance (Pf)	Frequency Stability Overall (ppm)	Pin	Material	Operating Temp. Range
X	3215	32768K	G	D	2	S	I

★ TAPING SPECIFICATION (Unit: mm) 编带规格



	A	B	C	D	E	F	G
SMD3215	180±2.0	12.0±0.3	3.45±0.10	1.75±0.10	3.84±0.1	1.0 ±0.10	60.0±1.0
3000 pcs per reel							

★ REFLOW SOLDERING PROFILE 回流焊特性



Pb free reflow A	①	Preheat	160~180°C	120sec. max
	②	Primary heat	220°C	60sec. max
	③	Peak	260°C	10sec. max.

X-ON Electronics

Largest Supplier of Electrical and Electronic Components

Click to view similar products for [Crystals](#) category:

Click to view products by [Yangxing](#) manufacturer:

Other Similar products are found below :

[CS325S24000000ABJT](#) [718-13.2-1](#) [MC405 32.0000K-R3:PURE SN](#) [FC-135R 32.7680KF-A3](#) [7A-40.000MAAE-T](#) [7B-27.000MBBK-T](#)
[FL2000085](#) [9B-15.360MBBK-B](#) [9C-7.680MBBK-T](#) [ASH7K-32.768KHZ](#) [AT-41.600MAGQ-T](#) [BTD1062E05A-513](#) [LFX TAL066198Cutt](#)
[9C-14.31818MBBK-T](#) [FA-238 50.0000MB30X-K3](#) [FC-12M 32.7680KA-AC3](#) [SSPT7F-9PF20-R](#) [FX325BS-38.88EEM1201](#)
[LFX TAL065253Cutt](#) [LFX TAL066431Cutt](#) [XT9S20ANA14M7456](#) [XT9SNLANA16M](#) [646G-24-2](#) [7A-24.576MBBK-T](#) [7B-30.000MBBK-T](#)
[WX26-32.768K-6PF](#) [9B-14.31818MBBK-B](#) [CD1AM](#) [7B-25.000MAAE-T](#) [7A-14.31818MBBK-T](#) [6504-202-1501](#) [6526-202-1501](#) [FA-118T](#)
[27.1200MB50P-K0](#) [FC-135R 32.7680KA-A3](#) [ABM12-104-37.400MHZT](#) [ABLS-10.000MHZ-D3W-T](#) [BTJ112E01E-513](#) [BTJ722K01C-7067](#)
[BTL-20-513](#) [TSX-3225 24.0000MF15X-AC](#) [TSX-3225 16.0000MF18X-AC](#) [BTJ120E02C](#) [BTL-12-513](#) [7A-10.000MBBK-T](#) [7A-](#)
[11.0592MBBK-T](#) [ABM12-103-24.000MHZT](#) [CS325S25000000ABJT](#) [ABM3B-25.000MHZ-B2-X-T](#) [FC-135 32.7680KA-A5](#) [FX0800015](#)