

CRYSTAL UNIT

32.768KHZ

YST310S



Applications

- RTC.

Features

- Dimensions: 3.20 x 1.50 x 0.75 mm.
- High precision and high frequency stability.
- Standard Frequency: 32.768KHz
- Excellent heat resistance and environmental characteristics.

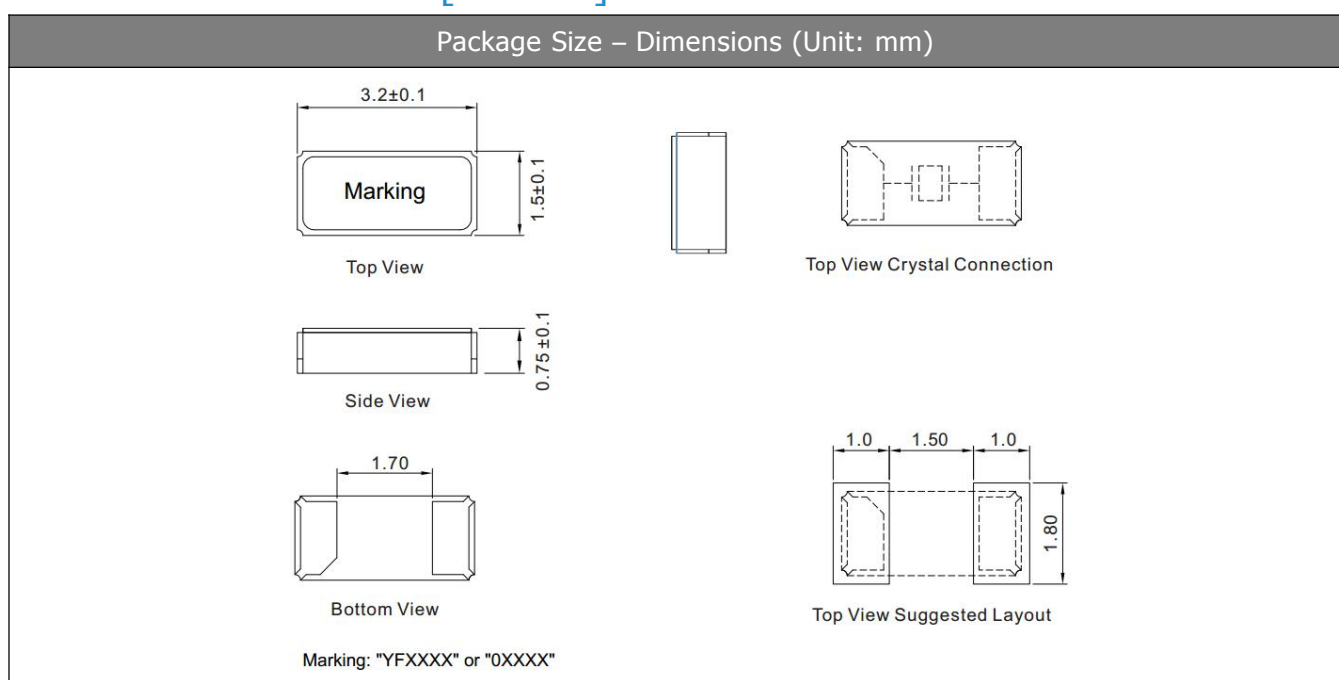
Specifications

Standard Frequency	32.768 KHz
Load Capacitance	7pF, 9pF, 12.5pF, or specify
Frequency Tolerance (at 25 °C)	±10ppm, ±20ppm, or specify
Parabolic Coefficient	$(-0.03 \pm 0.01) \times 10^{-6} / ^\circ\text{C}^2$
Operating Temperature	-20~+70°C, -40~+85°C, or specify
Storage Temperature	-55~+125°C
Shunt Capacitance	1.2 pF Max.
Motional Capacitance	4.4fF
Level of Drive	1.0µW Max
Aging (at 25 °C)	±3ppm/year Max.

Equivalent Series Resistance(ESR)

YST310S
70K Ω Max.

Dimensions and Patterns [unit:mm]



CRYSTAL UNIT

32.768KHZ

YST310S

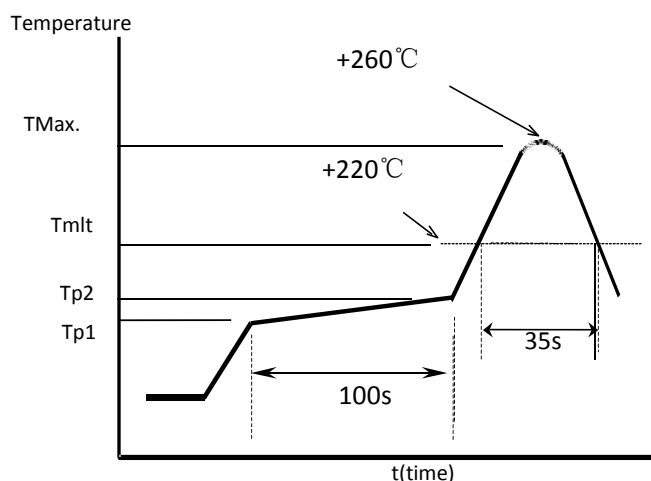


Reflow Soldering Profile

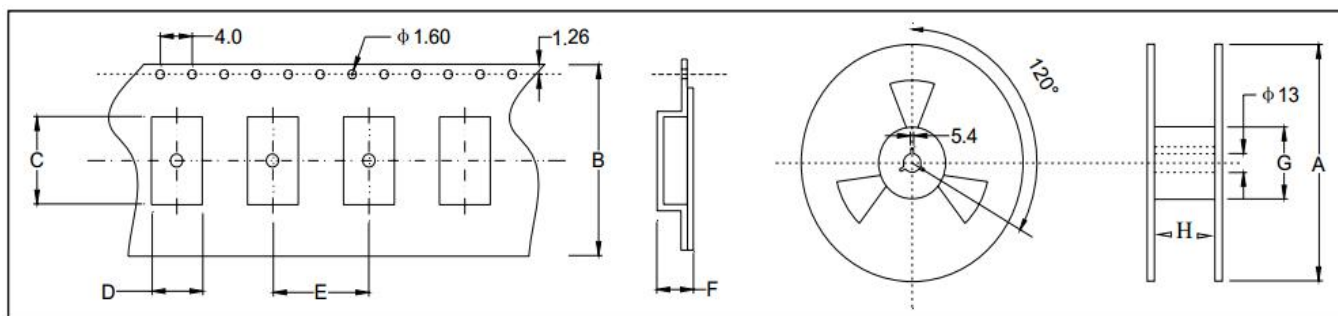
Pre Heating Temperature
 Tp1 ~ Tp2 = + 170 °C
 Heating Temperature
 TMI = + 220 °C
 Peak Temperature
 TMax. = + 260 °C

Point of measuring
 In case of Solder ability

Terminal.
 In case of Resistance to soldering heat
 Surface.



Taping Specification(Unit: mm)



Size	A	B	C	D	E	F	G	H
SMD-3215	180±2.0	12.0±0.3	3.45±0.1	1.75±0.1	4.0±0.1	1.05±0.1	61.0±1.0	12.0±1.0

3000 pcs per reel

X-ON Electronics

Largest Supplier of Electrical and Electronic Components

Click to view similar products for [Crystals](#) category:

Click to view products by [Yangxing](#) manufacturer:

Other Similar products are found below :

[CX3225GB25000M0PPSZ1](#) [718-13.2-1](#) [7A-40.000MAAE-T](#) [FL2000085](#) [99-BU](#) [9B-15.360MBBK-B](#) [9C-7.680MBBK-T](#) [H10S-12.000-18-EXT-TR](#) [ABC2-6.000MHZ-D4Z-T](#) [ABLS-20.000MHZ-D2-T](#) [ABM3B-27.000MHZ-D4Y-T](#) [ABS071-32.768KHZ-6-T](#) [R38-32.768-12.5-5PPM-NPB](#) [BTD1062E05A-513](#) [21U15A-21.4MHZ](#) [RTX-781DF1-S-20.950](#) [LFXTAL066198Cutt](#) [9C-14.31818MBBK-T](#) [A-11.000MHZ-27](#) [ABL-27.000MHZ-B4Y-T](#) [ABM11-132-24.000MHZ-T3](#) [ABM3B1-25.000MHZ-D2Y-T](#) [SPT2A-.032768B](#) [SPT2A.032768G](#) [SSPT7F-9PF20-R](#) [LFXTAL065253Cutt](#) [LFXTAL066431Cutt](#) [XT9S20ANA14M7456](#) [XT9SNLANA16M](#) [7A-24.576MBBK-T](#) [7B-30.000MBBK-T](#) [MMCC2R32.7680KHZ](#) [7A-14.31818MBBK-T](#) [6504-202-1501](#) [6526-202-1501](#) [ABLS-12.000MHZ-B2Y-T](#) [7A-10.000MBBK-T](#) [SG636PCE-20.000MC](#) [3404](#) [E1SAA18-25.000M](#) [TR](#) [CM315D32768EZFT](#) [C1E-24.000-7-2020-R](#) [C1E-19.200-12-1530-X-R](#) [C1E-16.000-12-1530-X-R](#) [ABM11-16.000MHZ-9-B1U-T](#) [FL5000014](#) [EUCA18-3.1872M](#) [FX0800015](#) [425F35E027M0000](#) [FP0800018](#)