

# CRYSTAL UNIT

## YSX321SL



### Applications

- SmartWearable IOT Communication.

### Features

- Dimensions: 3.20 x 2.50 x 0.70 mm.
- Standard Frequency: 8~64MHz
- High precision and high frequency stability.
- Extremely good for reducing EMI effect.

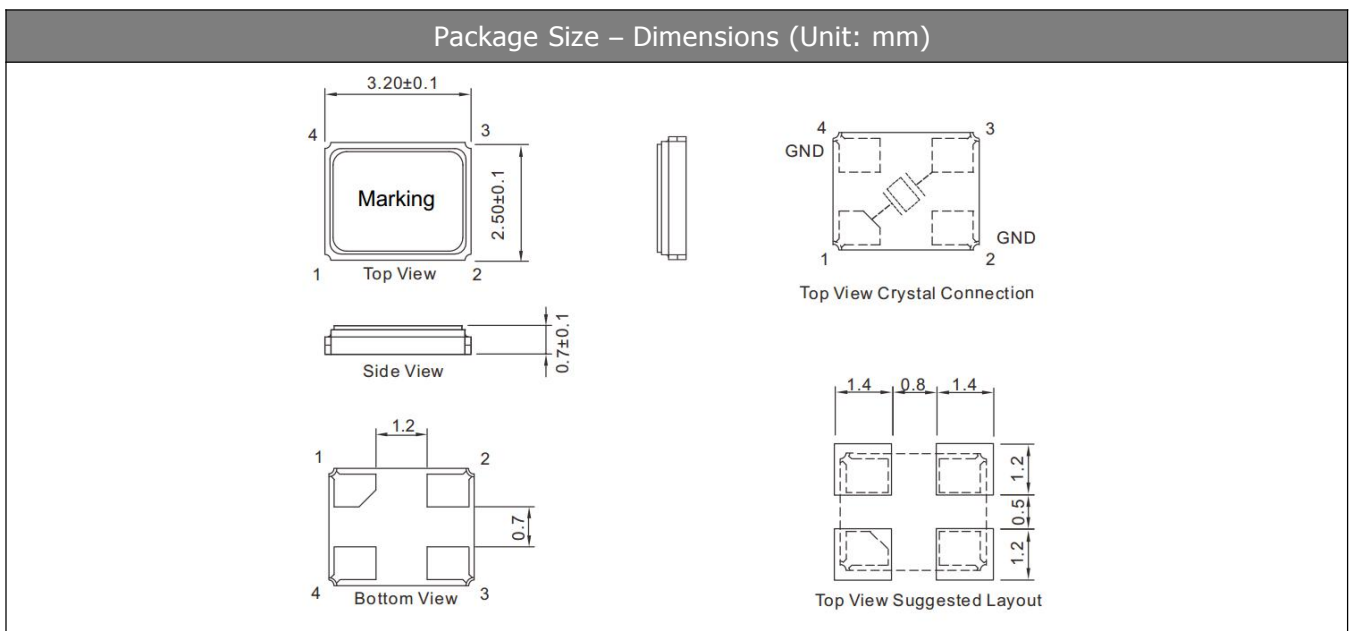
## Specifications

Standard Frequency	8~64 MHz
Vibration Mode	AT Fundamental
Load Capacitance	10pF, 20pF, or specify
Frequency Tolerance (at 25 °C)	±10ppm, ±20ppm, or specify
Frequency Versus Temperature Characteristics	±20ppm, or specify
Operating Temperature	-20~+70°C, -40~+85°C, or specify
Storage Temperature	-55~+125°C or specify
Shunt Capacitance	7 pF Max.
Level of Drive	1~200µW Max. (100uW typical)
Aging (at 25 °C)	±3ppm/year Max.

## Equivalent Series Resistance(ESR)

Fundamental	
8 ~ 11.2892MHz	150 Ω Max.
12 ~ 16 MHz	80 Ω Max.
17 ~ 64 MHz	50 Ω Max.

## Dimensions and Patterns [unit:mm]



# CRYSTAL UNIT

## YSX321SL



### Reflow Soldering Profile

Pre Heating Temperature

    Tp1 ~ Tp2 = + 170 °C

Heating Temperature

    TMlt = + 220 °C

Peek Temperature

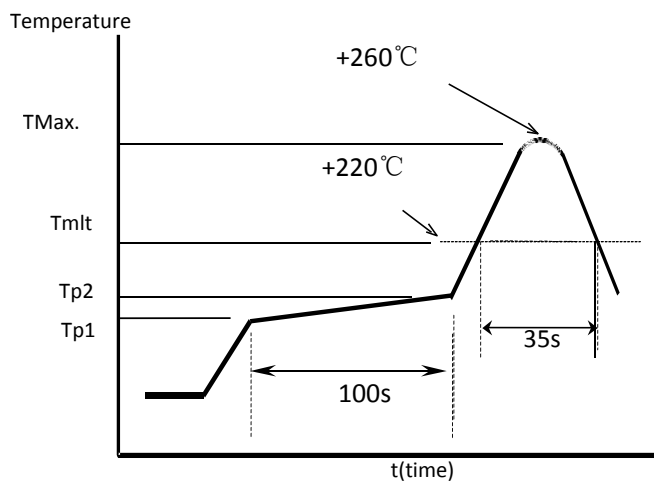
    TMax. = + 260 °C

Point of measuring

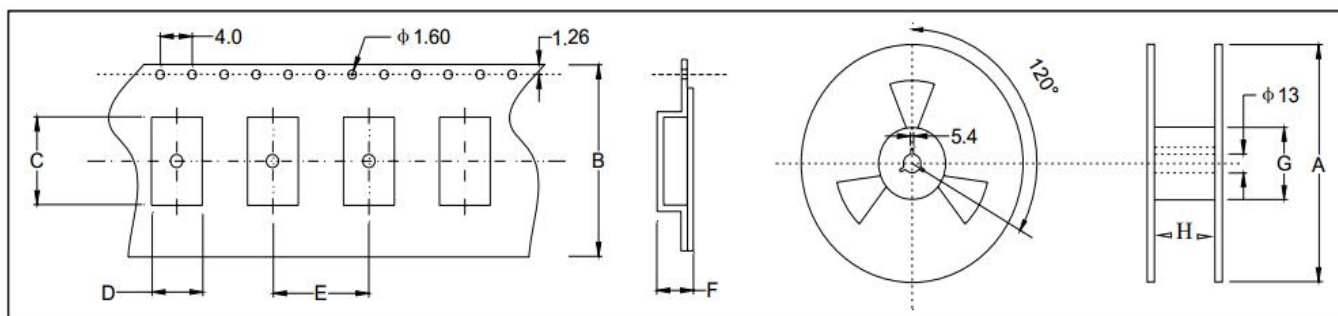
    In case of Solder ability

Terminal.

    In case of Resistance to soldering heat  
    Surface.



### Taping Specification(Unit: mm)



Size	A	B	C	D	E	F	G	H
SMD-3225	180±2.0	8.0±0.3	3.50±0.1	2.50±0.1	4.0±0.1	1.40±0.1	61.0±1.0	8.0±1.0

3000 pcs per reel

## X-ON Electronics

Largest Supplier of Electrical and Electronic Components

*Click to view similar products for [Crystals](#) category:*

*Click to view products by [Yangxing](#) manufacturer:*

Other Similar products are found below :

[CX3225GB25000M0PPSZ1](#) [718-13.2-1](#) [MC405 32.0000K-R3:PURE SN](#) [7A-40.000MAAE-T](#) [FL2000085](#) [99-BU](#) [9B-15.360MBBK-B](#) [9C-7.680MBBK-T](#) [H10S-12.000-18-EXT-TR](#) [ABC2-6.000MHZ-D4Z-T](#) [ABLS-20.000MHZ-D2-T](#) [ABS071-32.768KHZ-6-T](#) [R38-32.768-12.5-5PPM-NPB](#) [BTD1062E05A-513](#) [21U15A-21.4MHZ](#) [RTX-781DF1-S-20.950](#) [LFXTAL066198Cutt](#) [9C-14.31818MBBK-T](#) [A-11.000MHZ-27](#) [ABL-27.000MHZ-B4Y-T](#) [ABM11-132-24.000MHZ-T3](#) [ABM3B1-25.000MHZ-D2Y-T](#) [SPT2A-.032768B](#) [SPT2A.032768G](#) [SSPT7F-9PF20-R](#) [FX325BS-38.88EEM1201](#) [LFXTAL065253Cutt](#) [LFXTAL066431Cutt](#) [XT9S20ANA14M7456](#) [XT9SNLANA16M](#) [646G-24-2](#) [7A-24.576MBBK-T](#) [7B-30.000MBBK-T](#) [7A-14.31818MBBK-T](#) [6504-202-1501](#) [6526-202-1501](#) [ABLS-12.000MHZ-B2Y-T](#) [7A-10.000MBBK-T](#) [SG636PCE-20.000MC](#) [3404](#) [E1SAA18-25.000M TR](#) [CM315D32768EZFT](#) [C1E-24.000-7-2020-R](#) [C1E-19.200-12-1530-X-R](#) [C1E-16.000-12-1530-X-R](#) [ABM11-16.000MHZ-9-B1U-T](#) [FL5000014](#) [EUCA18-3.1872M](#) [FX0800015](#) [425F35E027M0000](#)