

CRYSTAL UNIT

HC-49US DIP



Applications

- Industrial Control Consumers.

Features

- Dimensions: 11.5 x 4.50 x 3.68 mm.
- Frequency range: 3.2768~64MHz
- Through hole type crystal units.
- A great number of standard frequencies.

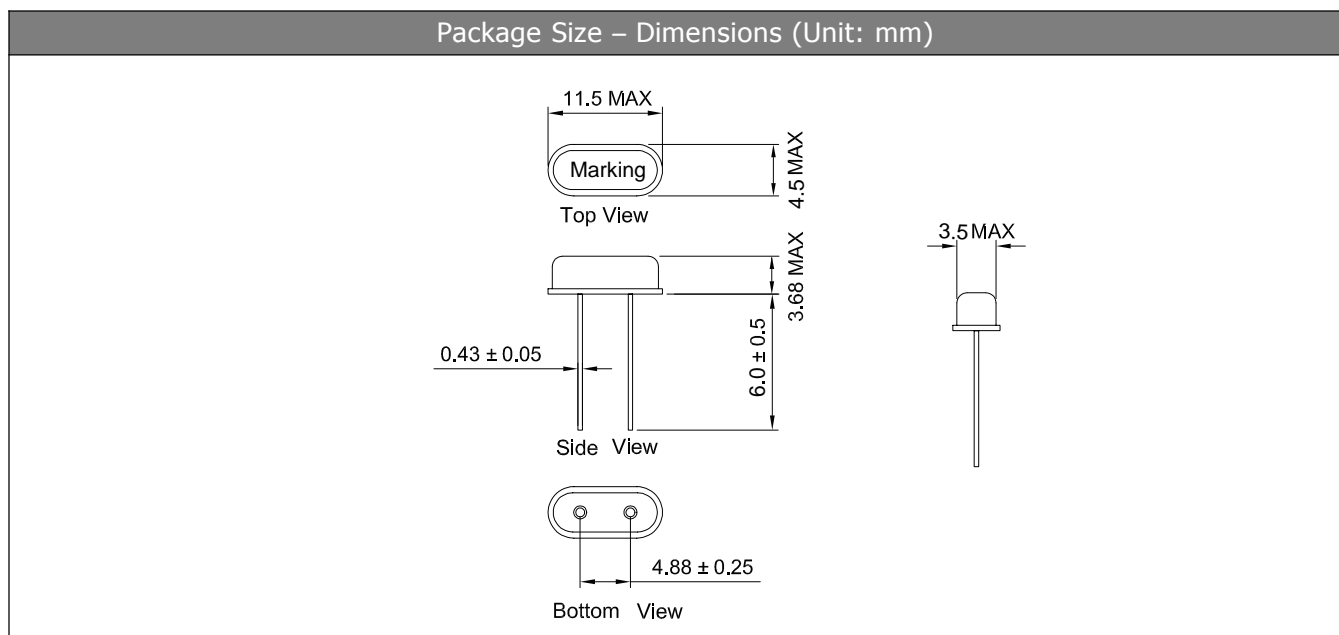
Specifications

Standard Frequency	3.2768~64 MHz
Vibration Mode	AT Fundamental
Load Capacitance	12pF, 20pF, or specify
Frequency Tolerance (at 25 °C)	±10ppm, ±20ppm, or specify
Frequency Versus Temperature Characteristics	±20ppm, or specify
Operating Temperature	-20~+70 °C, -40~+85 °C, or specify
Storage Temperature	-40~+85 °C or specify
Shunt Capacitance	7 pF Max.
Level of Drive	1~500µW Max. (100µW typical)
Aging (at 25 °C)	±3ppm/year Max.

Equivalent Series Resistance(ESR)

Fundamental			
3.2768 ~ 4MHz	180 Ω Max.	6 ~ 17 MHz	80 Ω Max.
4 ~ 5MHz	120 Ω Max.	7 ~ 10 MHz	60 Ω Max.
5 ~ 6 MHz	100 Ω Max.	10 ~ 27MHz	40 Ω Max.
3rd Overtone			
20 ~ 25 MHz	100 Ω Max.	25 ~ 64 MHz	80 Ω Max.

Dimensions and Patterns [unit:mm]



CRYSTAL UNIT

HC-49US DIP



Solder ability

Dip terminals in RMA flux for 5 ± 0.5 seconds. Under room temperature. Dip terminals in a $260 \pm 5^\circ\text{C}$ solder bath for 5 ± 0.5 seconds. The solder shall leave an undipped terminal length of 2 mm at their base .

Resistance to Soldering Heat

Dip terminals in a $260 \pm 5^\circ\text{C}$ solder bath for 10 ± 0.5 seconds. The solder shall leave an undipped terminal length of 2 mm at their base.

Packing

Deposit 200 pieces of the quartz crystal units in a polyethylene bag, and pack enough bags in a packing case to make a 10,000 pieces package. The packing format may be subject to change by quantity.

X-ON Electronics

Largest Supplier of Electrical and Electronic Components

Click to view similar products for [Crystals](#) category:

Click to view products by [Yangxing](#) manufacturer:

Other Similar products are found below :

[CX3225GB25000M0PPSZ1](#) [718-13.2-1](#) [MC405 32.0000K-R3:PURE SN](#) [7A-40.000MAAE-T](#) [FL2000085](#) [99-BU](#) [9B-15.360MBBK-B](#) [9C-7.680MBBK-T](#) [H10S-12.000-18-EXT-TR](#) [ABC2-6.000MHZ-D4Z-T](#) [ABLS-20.000MHZ-D2-T](#) [ABS071-32.768KHZ-6-T](#) [R38-32.768-12.5-5PPM-NPB](#) [BTD1062E05A-513](#) [21U15A-21.4MHZ](#) [RTX-781DF1-S-20.950](#) [LFXTAL066198Cutt](#) [9C-14.31818MBBK-T](#) [A-11.000MHZ-27](#) [ABL-27.000MHZ-B4Y-T](#) [ABM11-132-24.000MHZ-T3](#) [ABM3B1-25.000MHZ-D2Y-T](#) [SPT2A-.032768B](#) [SPT2A.032768G](#) [SSPT7F-9PF20-R](#) [FX325BS-38.88EEM1201](#) [LFXTAL065253Cutt](#) [LFXTAL066431Cutt](#) [XT9S20ANA14M7456](#) [XT9SNLANA16M](#) [646G-24-2](#) [7A-24.576MBBK-T](#) [7B-30.000MBBK-T](#) [7A-14.31818MBBK-T](#) [6504-202-1501](#) [6526-202-1501](#) [ABLS-12.000MHZ-B2Y-T](#) [7A-10.000MBBK-T](#) [SG636PCE-20.000MC](#) [3404](#) [E1SAA18-25.000M TR](#) [CM315D32768EZFT](#) [C1E-24.000-7-2020-R](#) [C1E-19.200-12-1530-X-R](#) [C1E-16.000-12-1530-X-R](#) [ABM11-16.000MHZ-9-B1U-T](#) [FL5000014](#) [EUCA18-3.1872M](#) [FX0800015](#) [425F35E027M0000](#)