



## Applications

- Industrial Control Consumers .

## Features

- Dimensions:49SMD:11.5 x 4.80 x3.8 mm.
- 49SSMD:11.5 x 4.80 x3.0 mm.
- Surface mount type crystal units.
- A great number of standard frequency
- Frequency range:3.2768~64MHz

## Specifications

|  |                                  |
|--|----------------------------------|
| Standard Frequency                           | 3.2768~64 MHz                    |
| Vibration Mode                               | AT Fundamental                   |
| Load Capacitance                             | 12pF,20pF,or specify             |
| Frequency Tolerance (at 25 )                 | ±10ppm,±20ppm,or specify         |
| Frequency Versus Temperature Characteristics | ±20ppm,or specify                |
| Operating Temperature                        | -20~+70℃ , -40~+85℃ , or specify |
| Storage Temperature                          | -40~+85℃ or specify              |
| Shunt Capacitance                            | 7 pF Max.                        |
| Level of Drive                               | 1~500μWMax.(100uW typical)       |
| Aging (at 25 °C )                            | ±3ppm/year Max.                  |

## Equivalent Series Resistance(ESR)

| Fundamental   |            |             |           |
|---------------|------------|-------------|-----------|
| 3.2768 ~ 4MHz | 180 Ω Max. | 6 ~ 17 MHz  | 80 Ω Max. |
| 4 ~ 5MHz      | 120 Ω Max. | 7 ~ 10 MHz  | 60 Ω Max. |
| 5 ~ 6 MHz     | 100 Ω Max. | 10 ~ 27MHz  | 40 Ω Max. |
| 3rd Overtone  |            |             |           |
| 20 ~ 25 MHz   | 100 Ω Max. | 25 ~ 64 MHz | 80 Ω Max. |

## Dimensions and Patterns [unit:mm]

Package Size – Dimensions (Unit: mm)

| TYPE   | H (SMD HIGH) | h (BODY HIGH) |
|--------|--------------|---------------|
| 49SMD  | 3.8 ± 0.3    | 3.3 ± 0.3     |
| 49SSMD | 3.0 ± 0.3    | 2.3 ± 0.3     |

Units: mm

## Reflow Soldering Profile

Pre Heating Temperature

Tp1 ~ Tp2 = + 170 °C

Heating Temperature

TMit = + 220 °C

Peek Temperature

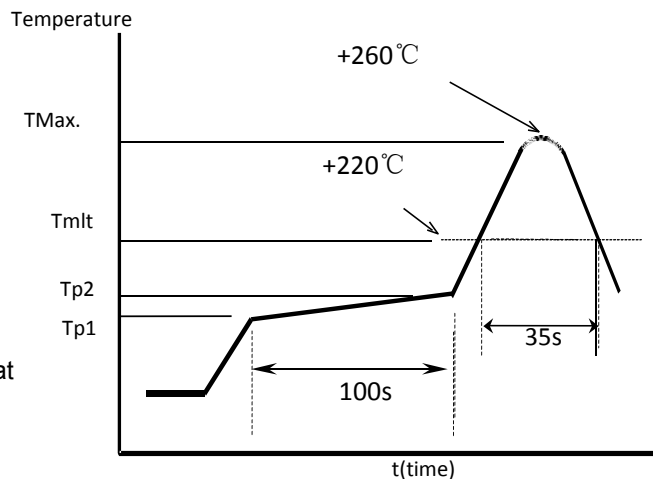
TMax. = + 260 °C

Point of measuring

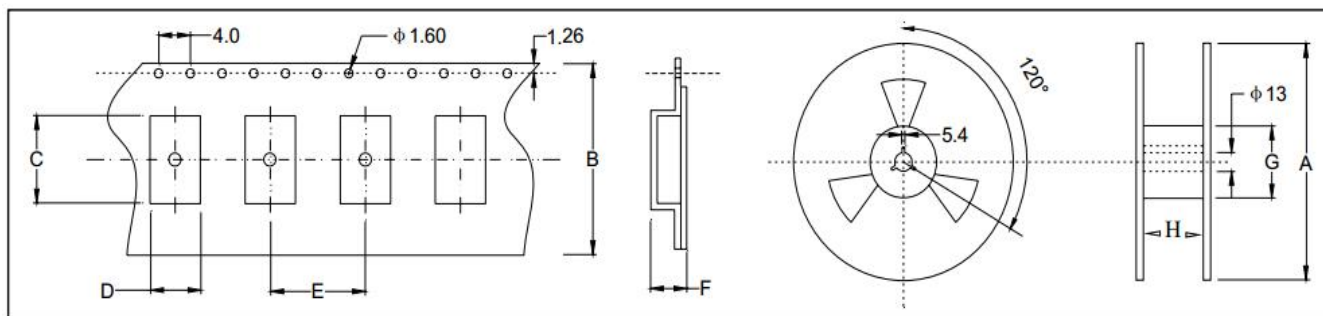
In case of Solder ability

Terminal.

In case of Resistance to soldering heat  
Surface.



## Taping Specification(Unit: mm)



| Size   | A       | B        | C         | D        | E       | F        | G         | H        |
|--------|---------|----------|-----------|----------|---------|----------|-----------|----------|
| 49SMD  | 330±2.0 | 24.0±0.3 | 11.90±0.1 | 5.00±0.1 | 8.0±0.1 | 4.25±0.2 | 100.0±1.0 | 24.5±1.0 |
| 49SSMD | 330±2.0 | 24.0±0.3 | 11.80±0.1 | 5.00±0.1 | 8.0±0.1 | 3.50±0.2 | 100.0±1.0 | 24.5±1.0 |

1000 pcs per reel

## X-ON Electronics

Largest Supplier of Electrical and Electronic Components

*Click to view similar products for [Crystals](#) category:*

*Click to view products by [Yangxing](#) manufacturer:*

Other Similar products are found below :

[CX3225GB25000M0PPSZ1](#) [718-13.2-1](#) [MC405 32.0000K-R3:PURE SN](#) [7A-40.000MAAE-T](#) [FL2000085](#) [99-BU](#) [9B-15.360MBBK-B](#) [9C-7.680MBBK-T](#) [H10S-12.000-18-EXT-TR](#) [ABC2-6.000MHZ-D4Z-T](#) [ABLS-20.000MHZ-D2-T](#) [ABS071-32.768KHZ-6-T](#) [R38-32.768-12.5-5PPM-NPB](#) [BTD1062E05A-513](#) [21U15A-21.4MHZ](#) [RTX-781DF1-S-20.950](#) [LFXTAL066198Cutt](#) [9C-14.31818MBBK-T](#) [A-11.000MHZ-27](#) [ABL-27.000MHZ-B4Y-T](#) [ABM11-132-24.000MHZ-T3](#) [ABM3B1-25.000MHZ-D2Y-T](#) [SPT2A-.032768B](#) [SPT2A.032768G](#) [SSPT7F-9PF20-R](#) [FX325BS-38.88EEM1201](#) [LFXTAL065253Cutt](#) [LFXTAL066431Cutt](#) [XT9S20ANA14M7456](#) [XT9SNLANA16M](#) [646G-24-2](#) [7A-24.576MBBK-T](#) [7B-30.000MBBK-T](#) [7A-14.31818MBBK-T](#) [6504-202-1501](#) [6526-202-1501](#) [ABLS-12.000MHZ-B2Y-T](#) [7A-10.000MBBK-T](#) [SG636PCE-20.000MC](#) [3404](#) [E1SAA18-25.000M TR](#) [CM315D32768EZFT](#) [C1E-24.000-7-2020-R](#) [C1E-19.200-12-1530-X-R](#) [C1E-16.000-12-1530-X-R](#) [ABM11-16.000MHZ-9-B1U-T](#) [FL5000014](#) [EUCA18-3.1872M](#) [FX0800015](#) [425F35E027M0000](#)