



Applications

- GPS Automotive electronics

Features

- Dimensions: 3.20 x 2.50 x 0.70 mm.
- Standard Frequency: 8~66MHz
- Low impedance performance.
- AEC-Q200 qualified.

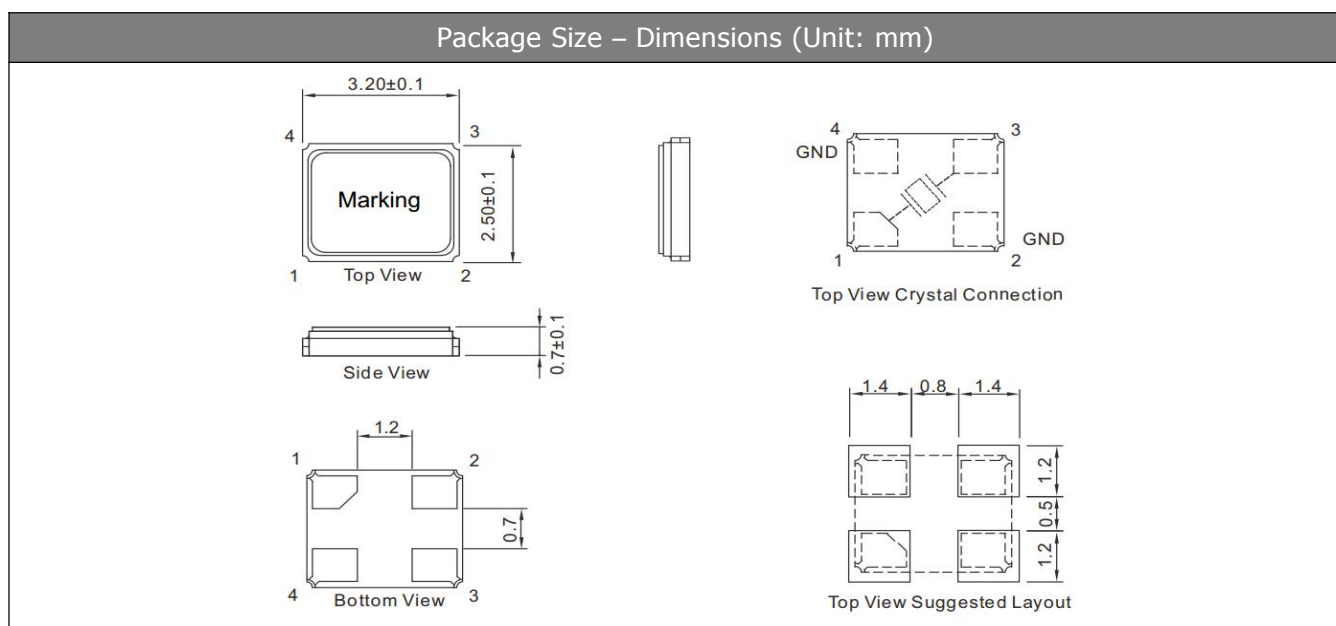
Specifications

| | |
|--|------------------------------|
| Standard Frequency | 8~66 MHz |
| Vibration Mode | AT Fundamental |
| Load Capacitance | 8pF, 12pF, or specify |
| Frequency Tolerance (at 25 °C) | ±10ppm, ±30ppm, or specify |
| Frequency Versus Temperature Characteristics | ±50ppm, or specify |
| Operating Temperature | -40~+125°C, or specify |
| Storage Temperature | -55~+125°C or specify |
| Shunt Capacitance | 3 pF Max. |
| Level of Drive | 1~200µW Max. (100uW typical) |
| Aging (at 25 °C) | ±2ppm/year Max. |

Equivalent Series Resistance(ESR)

| Fundamental | | | |
|---------------|------------|---------------|-----------|
| 8 ~ 9.9MHz | 800 Ω Max. | 13 ~ 15.9MHz | 80 Ω Max. |
| 10 ~ 10.9 MHz | 250 Ω Max. | 16 ~ 20.9 MHz | 70 Ω Max. |
| 11 ~ 11.9 MHz | 150 Ω Max. | 21 ~ 29.9 MHz | 60 Ω Max. |
| 12 ~ 12.9 MHz | 100 Ω Max | 30 ~ 66.0 MHz | 50 Ω Max |

Dimensions and Patterns [unit:mm]



CRYSTAL UNIT

AEC-Q200

YSX321SC

Reflow Soldering Profile



Pre Heating Temperature

Tp1 ~ Tp2 = + 170 °C

Heating Temperature

TMI = + 220 °C

Peak Temperature

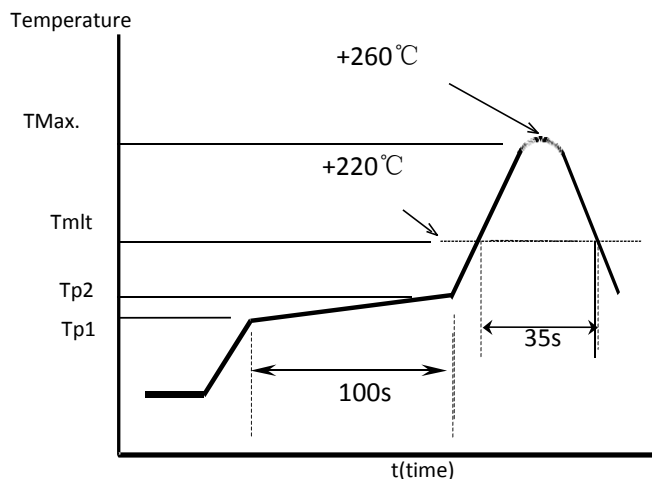
TMax. = + 260 °C

Point of measuring

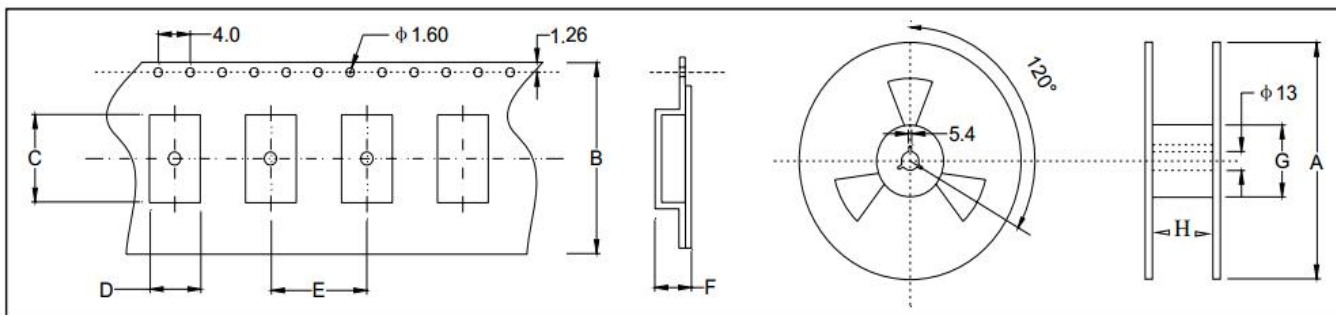
In case of Solder ability

Terminal.

In case of Resistance to soldering heat Surface.



Taping Specification(Unit: mm)



| Size | A | B | C | D | E | F | G | H |
|----------|---------|---------|----------|----------|---------|----------|----------|---------|
| SMD-3225 | 180±2.0 | 8.0±0.3 | 3.80±0.1 | 3.04±0.1 | 4.0±0.1 | 1.54±0.1 | 61.0±1.0 | 8.0±1.0 |

3000 pcs per reel

X-ON Electronics

Largest Supplier of Electrical and Electronic Components

Click to view similar products for [Standard Clock Oscillators](#) category:

Click to view products by [Yangxing](#) manufacturer:

Other Similar products are found below :

[601252](#) [F335-25](#) [F535L-33.333](#) [F535L-50](#) [ASV-20.000MHZ-LR-T](#) [MXO45HS-2C-66.6666MHZ](#) [SiT1602BI-22-33E-50.000000E](#)
[SiT8209AI-32-33E-125.000000](#) [SIT8918AA-11-33S-50.000000G](#) [SM4420TEV-40.0M-T1K](#) [F335-24](#) [F335-40](#) [F535L-10](#) [F535L-12](#) [F535L-](#)
[16](#) [F535L-24](#) [F535L-27](#) [F535L-48](#) [PE7744DW-100.0M](#) [ASF1-3.686MHZ-N-K-S](#) [ASV-4.000MHZ-LCS-T](#) [XLH735025.000JU4I8](#)
[XLP725125.000JU6I8](#) [XO57CTECNA3M6864](#) [ECS-2100A-147.4](#) [601251](#) [EP16E7E2H26.000MTR](#) [SiT8503AI-18-33E-0.200000X](#)
[SIT8918AA-11-33S-16.000000G](#) [SIT9122AI2C233E300.000000X](#) [XO37CTECNA20M](#) [XO3003](#) [9120AC-2D2-33E212.500000](#) [9102AI-](#)
[243N25E100.00000](#) [8208AC-82-18E-25.00000](#) [ASDK2-32.768KHZ-LR-T3](#) [8008AI-72-XXE-24.545454E](#) [8004AC-13-33E-133.33000X](#) [AS-](#)
[4.9152-16-SMD-TR](#) [ASFL1-48.000MHZ-LC-T](#) [632L3I004M00000](#) [SIT8920AM-31-33E-25.0000](#) [DSC1028DI2-019.2000](#) [9121AC-2C3-](#)
[25E100.00000](#) [9102AI-233N33E100.00000X](#) [9102AI-233N25E200.00000](#) [9102AI-232H25S125.00000](#) [9102AI-133N25E200.00000](#) [9102AC-](#)
[283N25E200.00000](#) [9001AC-33-33E1-30.000](#)