



### Applications

- GPS Automotive electronics

### Features

- Dimensions: 3.20 x 2.50 x 0.70 mm.
- Standard Frequency: 8~66MHz
- Low impedance performance.
- AEC-Q200 qualified.

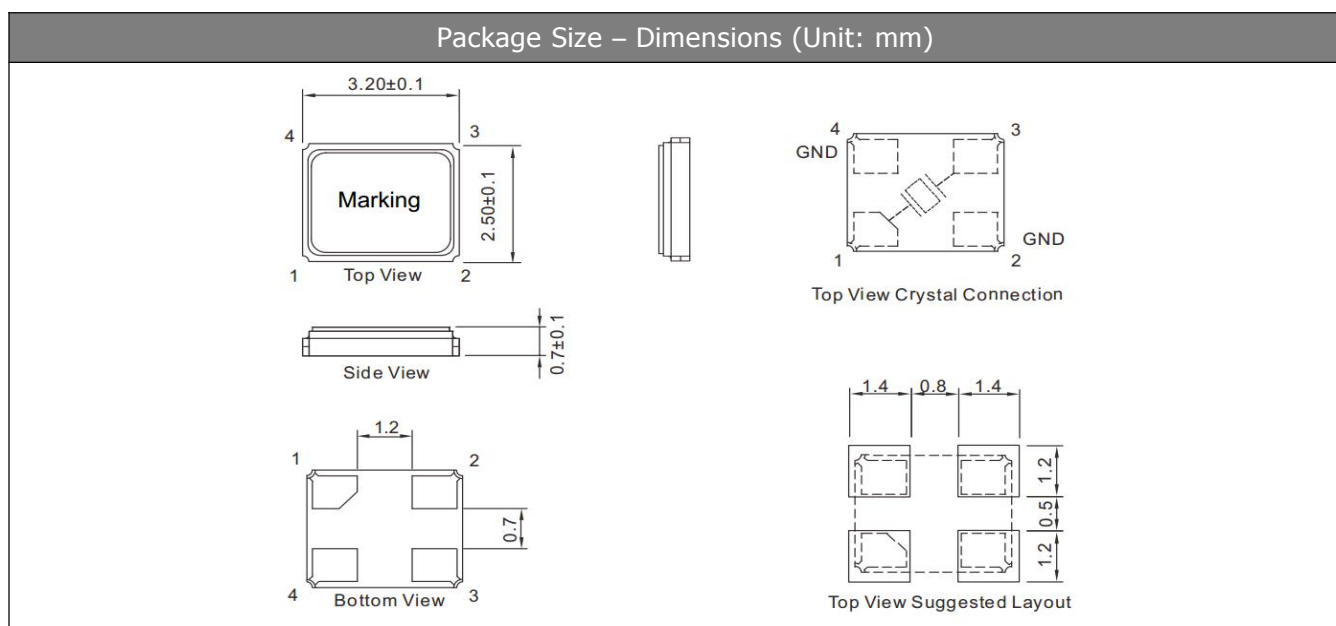
## Specifications

Standard Frequency	8~66 MHz
Vibration Mode	AT Fundamental
Load Capacitance	8pF, 12pF, or specify
Frequency Tolerance (at 25 °C)	±10ppm, ±30ppm, or specify
Frequency Versus Temperature Characteristics	±50ppm, or specify
Operating Temperature	-40~+125°C, or specify
Storage Temperature	-55~+125°C or specify
Shunt Capacitance	3 pF Max.
Level of Drive	1~200µW Max. (100uW typical)
Aging (at 25 °C)	±2ppm/year Max.

## Equivalent Series Resistance(ESR)

Fundamental			
8 ~ 9.9MHz	800 Ω Max.	13 ~ 15.9MHz	80 Ω Max.
10 ~ 10.9 MHz	250 Ω Max.	16 ~ 20.9 MHz	70 Ω Max.
11 ~ 11.9 MHz	150 Ω Max.	21 ~ 29.9 MHz	60 Ω Max.
12 ~ 12.9 MHz	100 Ω Max	30 ~ 66.0 MHz	50 Ω Max

## Dimensions and Patterns [unit:mm]



# CRYSTAL UNIT

## AEC-Q200

# YSX321SC

### Reflow Soldering Profile



Pre Heating Temperature

Tp1 ~ Tp2 = + 170 °C

Heating Temperature

TMI = + 220 °C

Peak Temperature

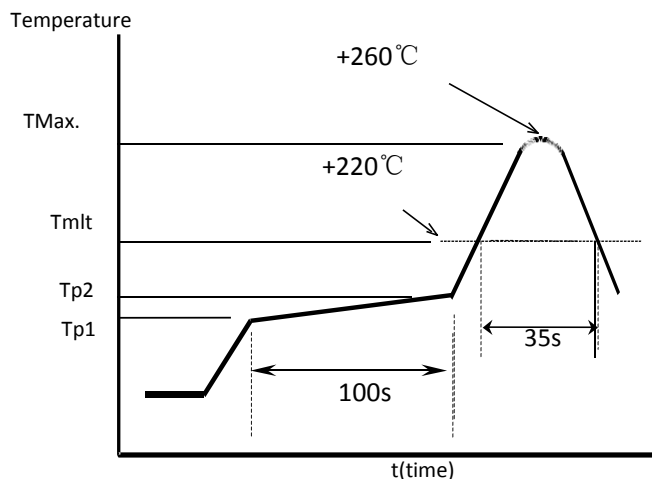
TMax. = + 260 °C

Point of measuring

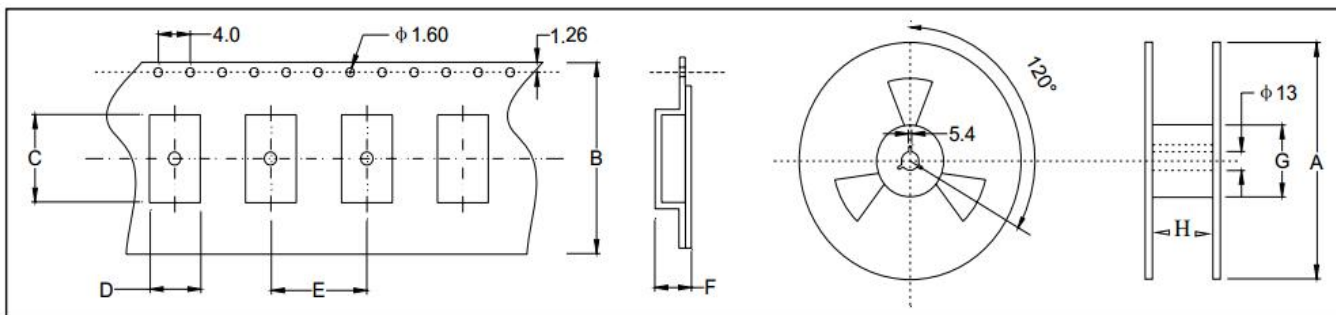
In case of Solder ability

Terminal.

In case of Resistance to soldering heat Surface.



### Taping Specification(Unit: mm)



Size	A	B	C	D	E	F	G	H
SMD-3225	180±2.0	8.0±0.3	3.80±0.1	3.04±0.1	4.0±0.1	1.54±0.1	61.0±1.0	8.0±1.0
3000 pcs per reel								

## X-ON Electronics

Largest Supplier of Electrical and Electronic Components

*Click to view similar products for [Standard Clock Oscillators](#) category:*

*Click to view products by [Yangxing](#) manufacturer:*

Other Similar products are found below :

[601252](#) [F335-25](#) [F535L-33.333](#) [F535L-50](#) [ASV-20.000MHZ-LR-T](#) [MXO45HS-2C-66.6666MHZ](#) [NBXDBB017LN1TAG](#) [SiT1602BI-22-33E-50.000000E](#) [SiT8209AI-32-33E-125.000000](#) [SIT8918AA-11-33S-50.000000G](#) [SM4420TEV-40.0M-T1K](#) [F335-24](#) [F335-40](#) [F535L-10](#) [F535L-12](#) [F535L-16](#) [F535L-24](#) [F535L-27](#) [PE7744DW-100.0M](#) [ASF1-3.686MHZ-N-K-S](#) [ASV-4.000MHZ-LCS-T](#) [XLH735025.000JU4I8](#) [XLP725125.000JU6I8](#) [XO57CTECNA3M6864](#) [ECS-2100A-147.4](#) [601251](#) [EP16E7E2H26.000MTR](#) [SiT8503AI-18-33E-0.200000X](#) [SIT8918AA-11-33S-16.000000G](#) [SIT9122AI2C233E300.000000X](#) [XO37CTECNA20M](#) [XO3003](#) [9120AC-2D2-33E212.500000](#) [9102AI-243N25E100.000000](#) [8208AC-82-18E-25.000000](#) [8008AI-72-XXE-24.545454E](#) [8004AC-13-33E-133.33000X](#) [AS-4.9152-16-SMD-TR](#) [ASFL1-48.000MHZ-LC-T](#) [632L3I004M00000](#) [SIT8920AM-31-33E-25.0000](#) [DSC1028DI2-019.2000](#) [9121AC-2C3-25E100.000000](#) [9102AI-233N33E100.00000X](#) [9102AI-233N25E200.000000](#) [9102AI-232H25S125.000000](#) [9102AI-133N25E200.000000](#) [9102AC-283N25E200.000000](#) [9001AC-33-33E1-30.0000](#) [3921AI-2CF-33NZ125.000000](#)