

Crystal Unit

32.768KHZ

YSX306GA Glass Sealed



Applications

- RTC.

Features

- Dimensions: :8.00 x 3.80 x 2.54mm.
- Reflow is possible.
- Standard Frequency: 32.768KHz
- Contains Pb in sealing glass exempted by ROHS directive.

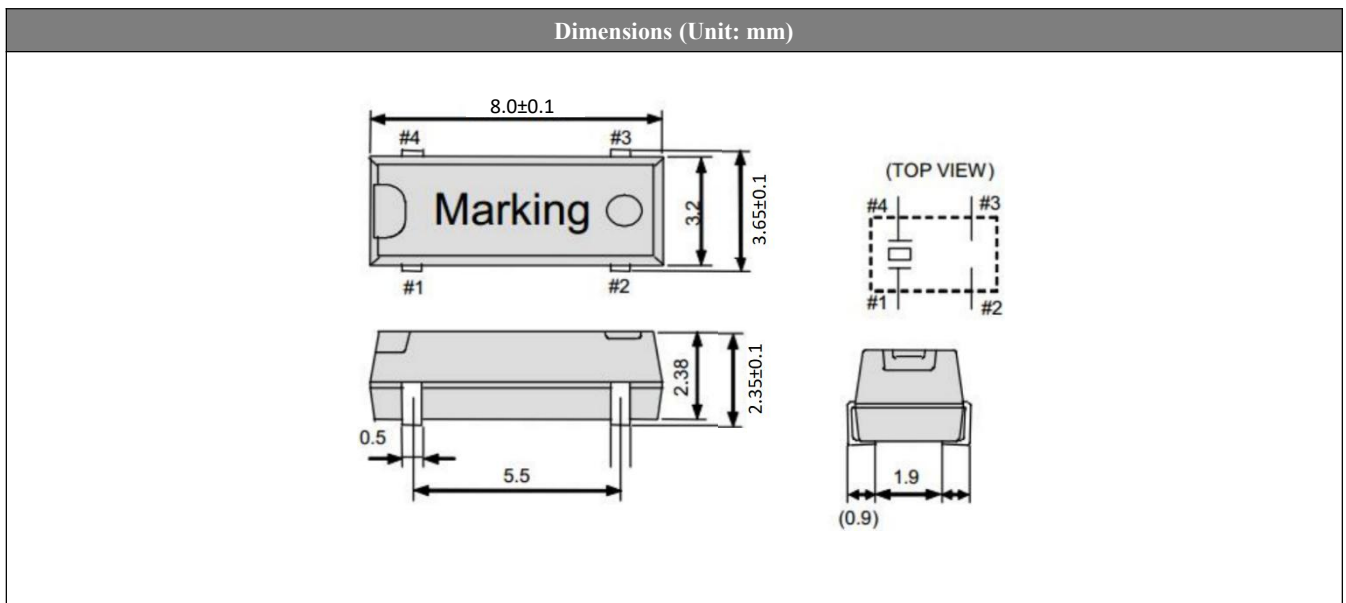
Specifications (规格参数)

Item	Symbol	Specifications
Nominal Frequency (额定频率范围)	f_nom	32.768KHz
Load Capacitance (负载电容)	CL	7pF, 9pF, 12.5pF, or specify±
Frequency Tolerance (频率偏差) (at 25°C)	f_tol	10ppm, ±20ppm, or specify
Parabolic Coefficient (频率温度系数)	B	(- 0.036 ± 0.006) * 10 ⁻⁶ / °C ²
Operating Temperature (工作温度)	T_use	-40~+85°C
Storage Temperature (储存温度)	T_stg	-55~+125°C
Shunt Capacitance (静态电容)	C0	2.0pF Max.
Motional Capacitance (动态电容)	C1	3.0fF
Level of Drive (激励电平)	DL	1.0μW Max
Aging (老化) (at 25°C)	f_age	±5ppm/year Max.

Equivalent Series Resistance (等效串联电阻(ESR))

YSX306GA
50K Ω Max.

Dimensions and Recommended land pattern (外观尺寸)



X-ON Electronics

Largest Supplier of Electrical and Electronic Components

Click to view similar products for [Crystals](#) category:

Click to view products by [Yangxing](#) manufacturer:

Other Similar products are found below :

[CX3225GB25000M0PPSZ1](#) [718-13.2-1](#) [7A-40.000MAAE-T](#) [FL2000085](#) [99-BU](#) [9B-15.360MBBK-B](#) [9C-7.680MBBK-T](#) [H10S-12.000-18-EXT-TR](#) [ABC2-6.000MHZ-D4Z-T](#) [ABLS-20.000MHZ-D2-T](#) [ABS071-32.768KHZ-6-T](#) [R38-32.768-12.5-5PPM-NPB](#) [BTD1062E05A-513](#) [21U15A-21.4MHZ](#) [RTX-781DF1-S-20.950](#) [LFXTAL066198Cutt](#) [9C-14.31818MBBK-T](#) [A-11.000MHZ-27](#) [ABL-27.000MHZ-B4Y-T](#) [ABM11-132-24.000MHZ-T3](#) [ABM3B1-25.000MHZ-D2Y-T](#) [SPT2A-.032768B](#) [SPT2A.032768G](#) [SSPT7F-9PF20-R](#) [LFXTAL065253Cutt](#) [LFXTAL066431Cutt](#) [XT9S20ANA14M7456](#) [XT9SNLANA16M](#) [7A-24.576MBBK-T](#) [7B-30.000MBBK-T](#) [MMCC2R32.7680KHZ](#) [7A-14.31818MBBK-T](#) [6504-202-1501](#) [6526-202-1501](#) [ABLS-12.000MHZ-B2Y-T](#) [7A-10.000MBBK-T](#) [SG636PCE-20.000MC](#) [3404](#) [E1SAA18-25.000M TR](#) [CM315D32768EZFT](#) [C1E-24.000-7-2020-R](#) [C1E-19.200-12-1530-X-R](#) [C1E-16.000-12-1530-X-R](#) [ABM11-16.000MHZ-9-B1U-T](#) [FL5000014](#) [EUCA18-3.1872M](#) [FX0800015](#) [425F35E027M0000](#) [FP0800018](#) [MS3V-T1R-32.768kHz-7pF-20PPM-TA-QC-Au](#)