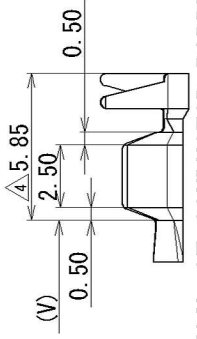


TABLE 1 WIRE CRIMP SIZE		PART NO. AND CH. CODE	△ C	△ V	W1	W2	△ H1	△ H2	△ 3 (INSULATION DIAMETER: φ0.91~φ1.90)
S	7116-4415-02, C	ETC.	3.0	1.9	1.49	2.82	1.82	2.84	△ 3 (JASO) 0.3 △ 3 (ISO) 0.22~0.35
M	7116-4416-02, C	△ (7B16-4416-02, G)	3.0	1.9	1.82	2.94	2.20	3.13	△ 3 (JASO) 0.5 △ 3 (ISO) 0.5
L	7116-4417-02, C	ETC.	△ SEE DWG	1.65	△ 1.96	3.10	2.55	3.53	△ 3 (JASO) 0.85 △ 3 (ISO) 0.75

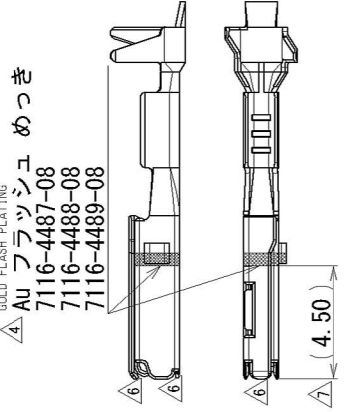
△ 2. DETAIL OF CONDUCTOR BARREL

- △ (7116-4417-02)
- △ (7116-4417-08)
- △ (7116-4489-08)



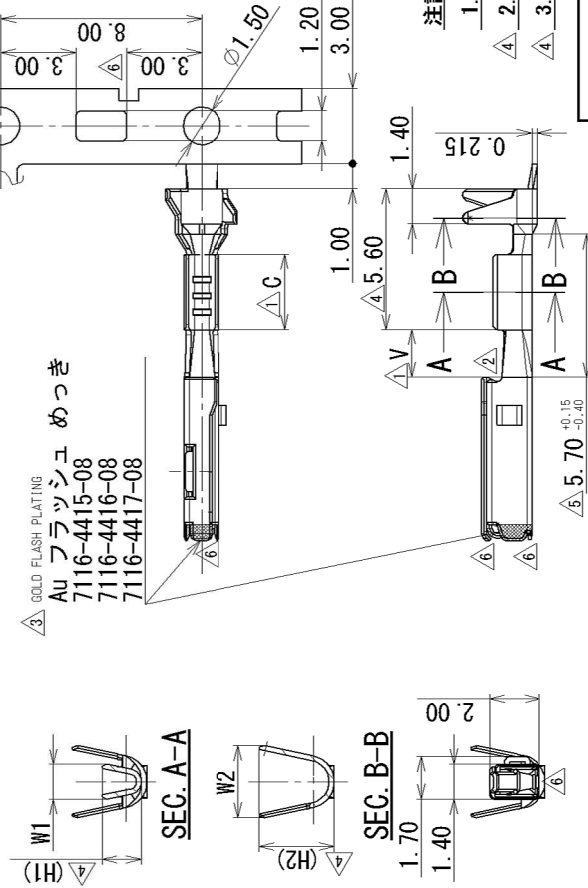
△ 4. GOLD FLASH PLATING

- △ Au フラッシュ めっき
7116-4487-08
- 7116-4488-08
- 7116-4489-08



△ 3. GOLD FLASH PLATING

- △ Au フラッシュ めっき
7116-4415-08
- 7116-4416-08
- 7116-4417-08



SEC. A-A

SEC. B-B

△ 4. TABLE 2

SIZE	PART NO.	PLATING
S	7116-4415-02, C	Sn
	7116-4415-08, C	Au (0.38 μm)
	7116-4487-08, C	Au (1.27 μm)
M	7116-4416-02, C	Sn
	(7B16-4416-02, G)	
	7116-4416-08, C	Au (0.38 μm)
	7116-4488-08, C	Au (1.27 μm)
	7116-4417-02, C	Sn
L	7116-4417-08, C	Au (0.38 μm)
	7116-4489-08, C	Au (1.27 μm)

NOTES

1. MALE TERMINAL PART NO. : 7114-4415-02, -4416-02, -4417-02
2. APPLICABLE WIRE SEAL PART NO. : 7158-3165-90, -3166-60, -3167-80, -3168-80, -3182-20
3. PART NUMBERS IN PARENTHESIS SHALL BE USED FOR AIR BAG(A/B) CIRCUITS AND OTHER CIRCUITS DESIGNATED FOR SPECIAL CONTROL.

注記

1. かん合端子品番 : 7114-4415-02, -4416-02, -4417-02
2. 適用ゴム栓品番 : 7158-3165-90, -3166-60, -3167-80, -3168-80, -3182-20
3. ()内の品番はA/B回路及び特別管理回路に使用すること。

DATE	REVISION RECORD	NO.	CHKD	REVISION
2015/11/25	CHANGED DIMENSION	C15-Z542	S.P	
2006/03/30	CHANGE FORM. ETC.	C06-Z314	S.K	
2004/11/22	ADDED TOLERANCE	C04-ZF29	Y.I	
2003/12/11	ADDED GOLD PLATING ETC.	C03-X787	H.Y	
2002/09/23	ADDED PART NO. ETC.	C02-Y003	H.Y	
2002/06/05	REVISED FORM. ETC.	C02-X502	T.Y	
2001/10/30	CHANGED DIMENSION	C01-Y113	H.Y	
2001/09/04	NEW	C01-X871	H.Y	

△ 6. GENERAL TOLERANCE											
	10 MAX	50 MAX	100 MAX	250 MAX	250 OVR	R5 MAX	R10 MAX	R20 MAX	R20 OVR	ANGLE	ECCENT
A	±0.15	±0.2	±0.3	±0.5	±0.75	±0.2	±0.3	±0.5	±2.5	±3°	0.1
B	±0.2	±0.3	±0.55	±0.95	±1.4	±0.2	±0.3	±0.5	±2.5	±3°	0.1
C	±0.3	±0.5	±0.8	±1.4	±2	±0.3	±0.5	±1.0	±2.5	±3°	0.15

LET	DATE	REVISION RECORD	NO.	CHKD	REVISION
A	2015/11/25	CHANGED DIMENSION	C15-Z542	S.P	
B	2006/03/30	CHANGE FORM. ETC.	C06-Z314	S.K	
C	2004/11/22	ADDED TOLERANCE	C04-ZF29	Y.I	
D	2003/12/11	ADDED GOLD PLATING ETC.	C03-X787	H.Y	
E	2002/09/23	ADDED PART NO. ETC.	C02-Y003	H.Y	
F	2002/06/05	REVISED FORM. ETC.	C02-X502	T.Y	
G	2001/10/30	CHANGED DIMENSION	C01-Y113	H.Y	
H	2001/09/04	NEW	C01-X871	H.Y	

GENERAL TOLERANCE			
	10MAX	50MAX	250MAX
A	±0.15	±0.2	±0.5
B	±0.2	±0.3	±0.55
C	±0.3	±0.5	±0.8

REVISION RECORD			
DATE	REVISION RECORD	NO.	CHKD
2015/11/25	CHANGED DIMENSION	C15-Z542	S.P
2006/03/30	CHANGE FORM. ETC.	C06-Z314	S.K
2004/11/22	ADDED TOLERANCE	C04-ZF29	Y.I
2003/12/11	ADDED GOLD PLATING ETC.	C03-X787	H.Y
2002/09/23	ADDED PART NO. ETC.	C02-Y003	H.Y
2002/06/05	REVISED FORM. ETC.	C02-X502	T.Y
2001/10/30	CHANGED DIMENSION	C01-Y113	H.Y
2001/09/04	NEW	C01-X871	H.Y

CUSTOMER			
CUSTOMER	CUSTOMER PART NO.	CUSTOMER DWG NO.	

MATERIAL SPEC.			
MATL.	SPEC.	TREAT.	SEE TABLE 2
	COPPER ALLOY (t=0.2)		

NAME			
NAME	TRIAL PART NO.	DWG NO.	SET DRW NO.
RH TYPE TERMINAL FEMALE			

PART NO.			
PART NO.	CH. CODE	DWG NO.	SET DRW NO.
7116-4415-02 ETC.			
7116-4415-02 : R			
YAZAKI CORPORATION			

X-ON Electronics

Largest Supplier of Electrical and Electronic Components

Click to view similar products for [Automotive Connectors](#) category:

Click to view products by [Yazaki](#) manufacturer:

Other Similar products are found below :

[003-018-000](#) [60993906-B](#) [72.330.1035.1](#) [776880-1](#) [827153-1](#) [9-1326729-8](#) [9-221607-5](#) [925474-1](#) [928905-1](#) [964562-4](#) [968782-1](#) [12004468](#)
[12004475-L](#) [12004483](#) [12052466](#) [12066163](#) [12015909](#) [12077753](#) [1-21030-1](#) [12047957](#) [12047958](#) [12084688](#) [12185550](#) [12336-12](#) [1-](#)
[326211-1](#) [13681974](#) [13688972](#) [13755420](#) [13779834](#) [13783086](#) [13843152](#) [13522378](#) [13581967](#) [13669624](#) [13675513](#) [13753471](#) [13946876](#)
[13953457](#) [13955963](#) [13964573](#) [13971791](#) [13790534-L](#) [13797473](#) [13805590](#) [13888202](#) [1428188-1](#) [1437287-3](#) [1428188-2](#) [DS07-19S-5020](#)
[1456983-5](#)